



常州市凯丽金电子有限公司---微型贴片电声元器件专业生产商
 KELIKING ELECTRONIC-----Micro Acoustical device & piezo ceramic manufacturer

SPECIFICATION FOR APPROVAL

承 認 書

Description : Earphone Speaker
 Part No : KLJ-4007R32W20mW
 Customer's Model No :
 Specification No : KLJ-4007R32W20mW
 Number Of The Edidion : 3.1

CUSTOMER'S APPROVED SIGNATURE		



常州市凯丽金电子有限公司

KELIKING ELECTRONICS CO., LTD,

公司地址: 常州市天宁区恒生科技园 1-1301, Company ADD: Hengsheng1-1301
 Science Park,Tianning District,Changzhou City 工厂地址:常州市天宁区三河口东塘路 1-1
 号,Factory:Dongtang Road NO.1-1 sanhekou Tianning District Changzhou City
 电话: 86-519-88671999-801, Tel: +86-519-88671999-801 传真: +86-519-
 88671999-808, Fax: 86-519-88671999-808 网址: www.kailijin.cn (CN)
www.keliking.com(EN) Http:www.kailijin.cn(CN) www.keliking.com(EN) 邮箱:
jimmy@keliking.com E-mail:jimmy@keliking.com 手机: +86-13656128000 MOB:+86-
 13656128000

Approved by	Checked by	Lssued by



常州市凯丽金电子有限公司---微型贴片电声元器件专业生产商

KELIKING ELECTRONIC-----Micro Acoustical device & piezo ceramic manufacturer

A. SCOPE 範疇

This specification applies Earphone Speaker KLJ-4007R32W20mW



B. SPECIFICATION 规格

Parameter	Conditions/Description	Values	Unit
Rated Input Power		20	mW
Max Input Power		30	mW
Rated Impedance	at 1.5K Hz, 1mW input	32±15%	Ω
Sound Pressure Level (S.P.L.)	0.1m At 20Hz-200Hz 201Hz-999Hz 1KHz 179mV with IEC318	119±3	dB
Resonant Frequency (Fo)	in free air 0.1m At 1KHz 179mV	240±20%	Hz
Frequency Range		Fo~20K	Hz
Distortion	At 20Hz-10KHz At 179mV /318/EAR	≤3%	-
Magnet	NdFeB		
	must be normal at sine wave between Fo ~ 20 kHz, in free air	0.8	V
Buzz, Rattle, etc.	must be normal at sine wave between Fo ~ 20 kHz, in 1CC BOX	1.0	V
Polarity	cone will move forward with positive dc current to "+" terminal		
Weight		1.5	g
Operating Temperature		-20~+70	°C
Waterproof		NA	

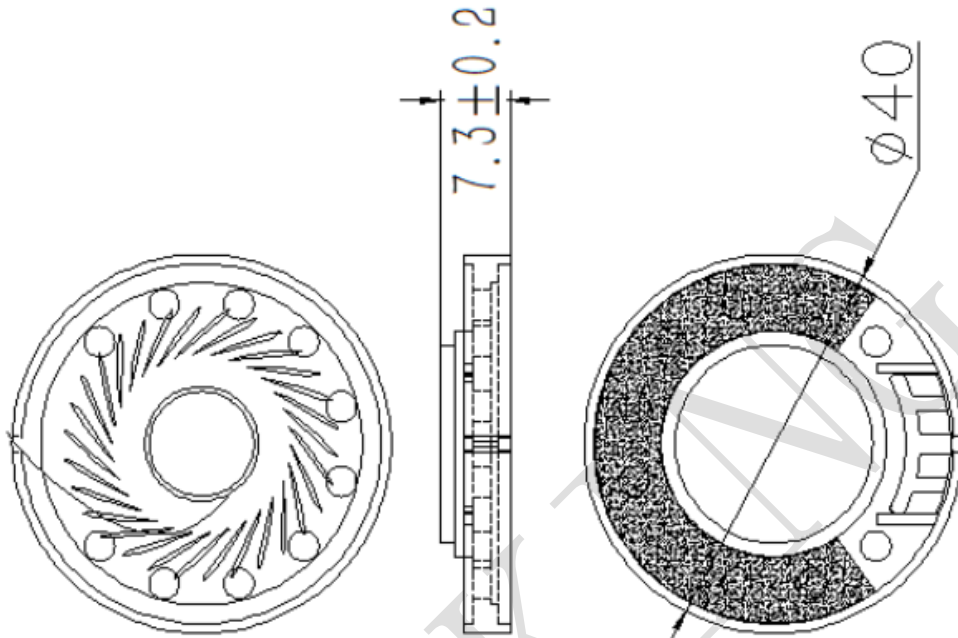
Notes: 1、Electrical performance can be adjusted according to user requirements

(产品所使用的材料以及电性能可以按用户要求来定制)

2、Above Measuring condition under temperature : 15~35°C R.H. 25~75%.

Accordig to standard GB/T9396-1996

C. APPEARANCE DRAWING 外觀尺寸图



Tolerance general unless otherwise specified: $\pm 0.5\text{mm}$ unit: mm

CONSTRUCTION DETAIL

PART NO.	PART NAME	Q' TY	MATERIAL	REMARK
1	Diaphragm	1	Peek	
2	VOICE COIL	1	COPPER WIRE	
3	Plate	1	SPCC	
4	Magnet	1	NdFeB	
5	Frame	1	Plastic	

D. RESPONSE CURVES

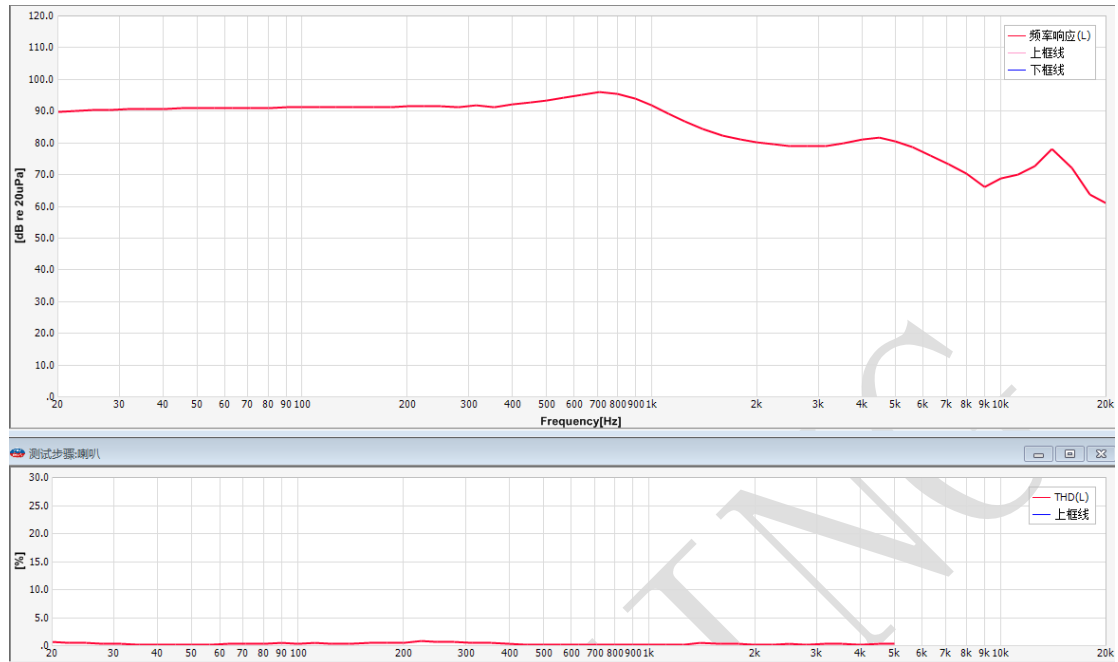
Frequency Response Curve



常州市凯丽金电子有限公司---微型贴片电声元器件专业生产商

KELIKING ELECTRONIC-----Micro Acoustical device & piezo ceramic manufacturer

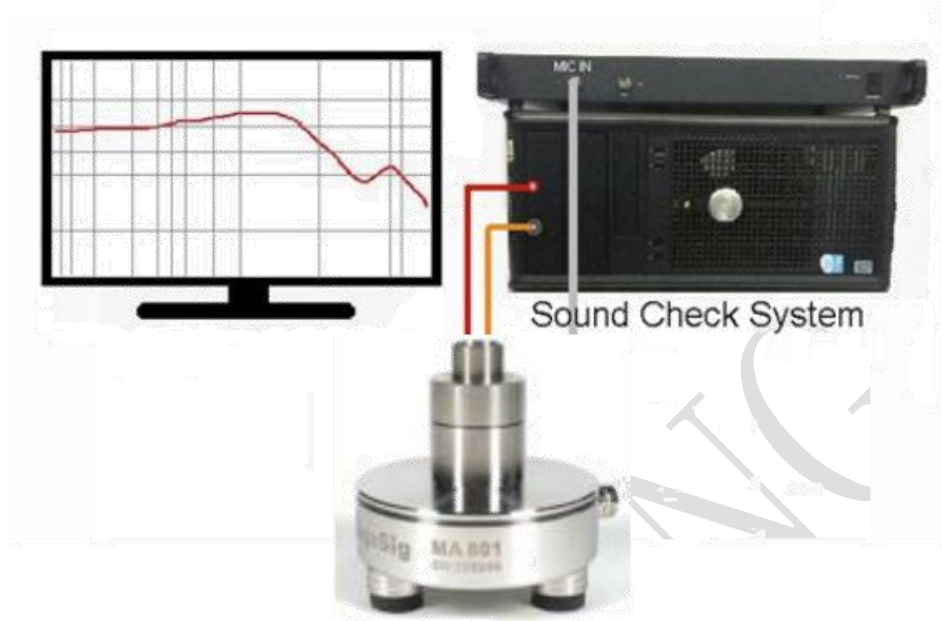
Test condition: 1.0W/0.1M,(1CC) , Total Harmonic Distortion Curve



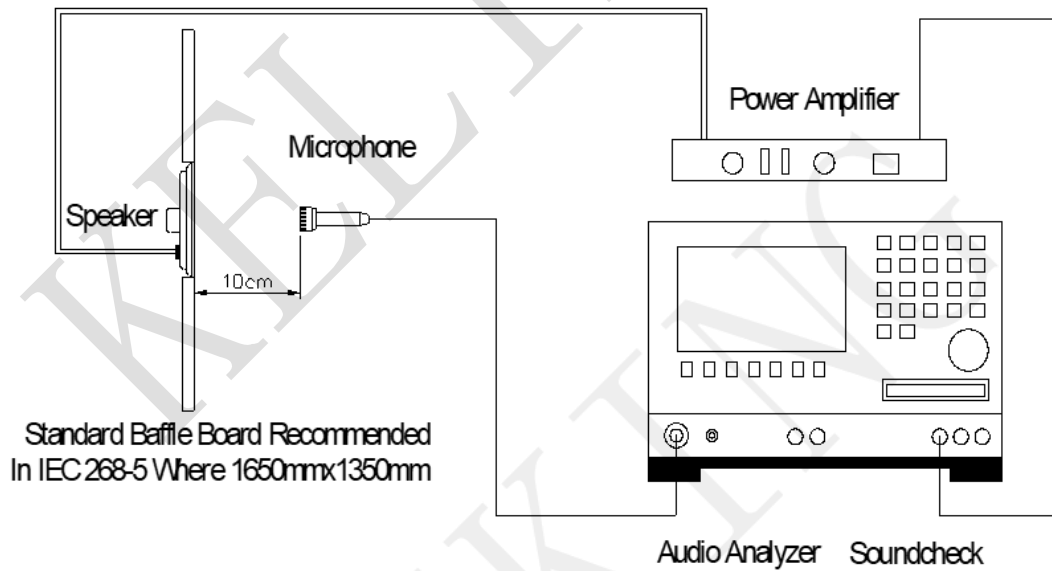
E. RELIABILITY TEST

1	Reliability Test	After any following test, parts should conform to original performance within ± 3 dB
2	Long-term rated power test	Input rated power pink noise to the speaker, low temperature $(-20\pm 2^\circ)$ for 24hrs,
3	Short-term maximum power test	Room temperature 25°C Input 1sec Max power pink noise to the speaker, idle for 59sec, cycling 30times. 102 / 5000
4	Voice coil destructive test	(I) Room temperature 25°C Input Max power DC signal for 30sec. 5Pcs for normal connection(Power+ \rightarrow Speaker+, Power- \rightarrow Speaker-) 5Pcs for inverse connection(Power+ \rightarrow Speaker-, Power- \rightarrow Speaker+) (II) Input Max power sweep signal to the speaker. Sweep frequency range: 200Hz ~ 20kHz, 1sec, 30 times
5	Long-term temperature cycling test	Input rated power pink noise to the speaker Temperature range: $-20^\circ\text{C}\sim 60^\circ\text{C}$ Temperature change rate is $5\sim 10^\circ\text{C}/\text{min}$, 15min at -20°C and 60°C , cycling 50 times.
6	Long-term high temperature and high humidity test	Input rated power pink noise to the speaker Temperature 60°C , humidity 90%RH for 72hrs.
7	Salt mist test	Salt mist concentration: 5% NaCl PH: 6.5~7.2 solution, which was continuously sprayed at 35°C for 48 hours

F.TESTING METHOD



Standard test condition of speaker





常州市凯丽金电子有限公司---微型贴片电声元器件专业生产商

KELIKING ELECTRONIC-----Micro Acoustical device & piezo ceramic manufacturer

G.PACKINGSTANDARD

units: cm

Remark:

100pcs per tray

20 trays for unit, 1units per carton

Total:2000 pcs per box

Size:41*25*34cm

