



常州市凯丽金电子有限公司---微型贴片电声元器件专业生产商  
 KELIKING ELECTRONIC-----Micro SMD Buzzer & Piezo transducer manufacturer

# SPECIFICATION FOR APPROVAL

## 承 認 書

Description : Speaker  
 Part No : KLJ- 1504R8W0.5-L44  
 Customer's Model No :  
 Specification No : KLJ- 1504R8W0.5-L44  
 Number Of The Edition : 2.1

CUSTOMER'S APPROVED SIGNATURE		



常州市凯丽金电子有限公司

CHANGZHOU KELIKING ELECTRONICS CO., LTD

公司地址: 常州市天宁区恒生科技园 1-1301, Company ADD: Hengsheng1-1301 Science Park, Tianning District, Changzhou City 工厂地址: 常州市天宁区三河口东塘路 1-1 号, Factory: Dongtang Road NO.1-1 Three estuarine Tianning District Changzhou City 电话: 86-519-88671999-801, Tel: 86-519-88671999-801 传真: 86-519-88671999-808, Fax: 86-519-88671999-808 网址: www.kailijin.cn(CN) www.keliking.com(EN) Http:www.kailijin.cn(CN) www.keliking.com(EN) 邮箱: jimmy@keliking.com E-mail:jimmy@keliking.com 手机: 13656128000 MOB:13656128000

Approved by	Checked by	Lssued by



## A. SCOPE 範疇

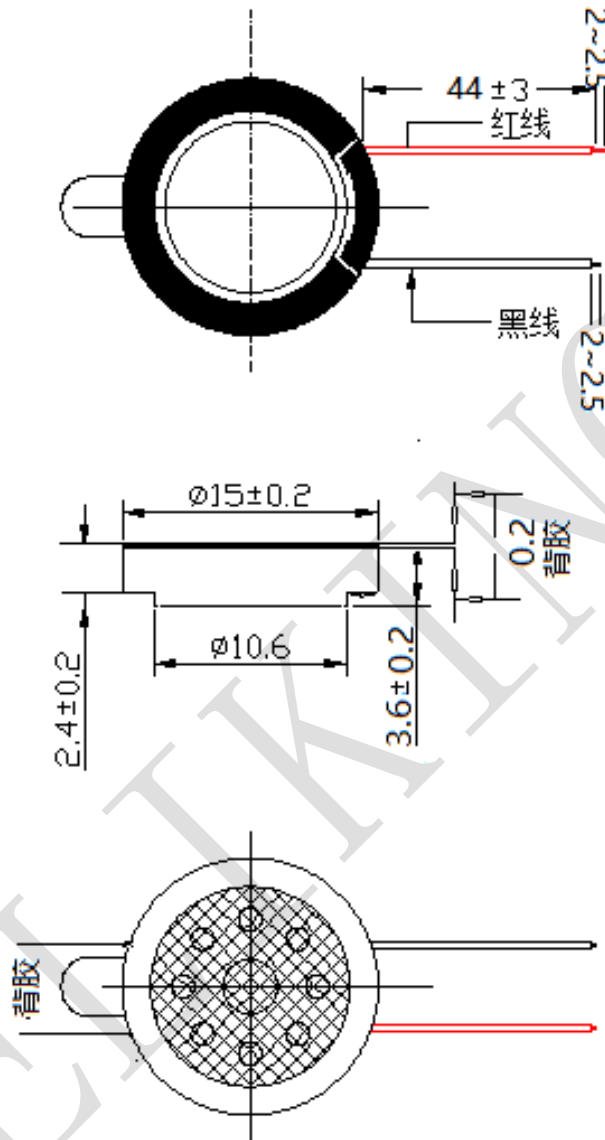
This specification applies Loud Speaker KLJ- 1504R8W0.5-L44

## B. SPECIFICATION 规格

Parameter	Conditions/Description	Values	Units
Rated Input Power		0.5	W
Max Input Power		0.8	W
Rated Impedance	at 2.0 kHz	8±15%	Ω
Sound Pressure Level (S.P.L.)	at 0.8K 1.0K 1.2K 1.5KHz in 0.1W/0.1M average (0dB SPL=20μPa)	86±3	dB
Resonant Frequency (Fo)	at 1.0 V	850±20%	Hz
Frequency Range	Output S.P.L. -10dB	Fo~10K	Hz
Distortion	at 2K Hz, input 0.1W,	< 5%	-
Magnet	NdFeB	Φ7.8*1.0	mm
Buzz, Rattle, etc.	must be normal at sine wave between Fo ~ 20K Hz	2.0	V
Polarity	cone will move forward with positive dc current to "+" terminal		
Weight			g
Operating Temperature		-20~+60	°C
Storage Temperature		-30~+70	°C
Waterproof		N/A	

Notes: All specifications measured at 5~35°C, humidity at 45~85%, under 86~106 kPa pressure, unless otherwise noted.

### C. APPEARANCE DRAWING 外觀尺寸图



Units: mm Tolerance:  $\pm 0.3$ mm

PART NO.	PART NAME	Q'TY	MATERIAL	REMARK
1	Gasket	1	Sus304	
2	Diaphragm	1	PEI	
3	VOICE COIL	1	Cu	
4	Plate	1	SPCC	
5	Magnet	1	NdFeB	
6	PCB Terminal	1	FR4	
7	Frame	1	PBT	



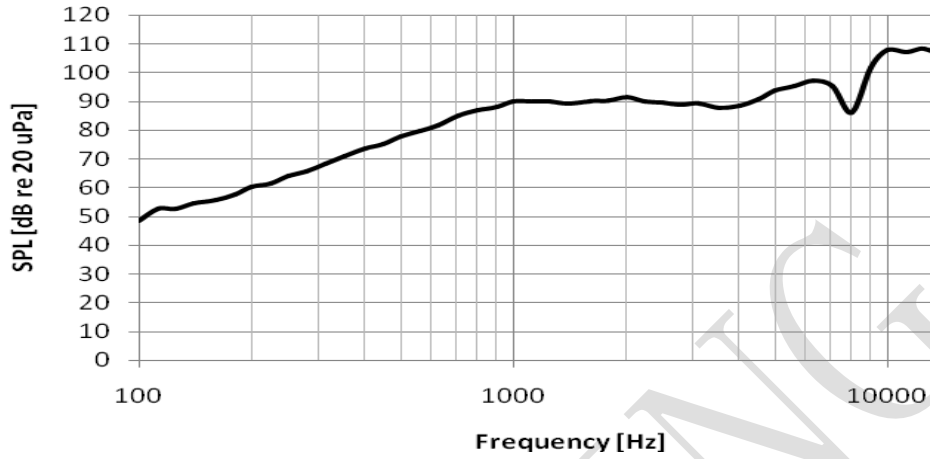
常州市凯丽金电子有限公司---微型贴片电声元器件专业生产商

KELIKING ELECTRONIC-----Micro SMD Buzzer & Piezo transducer manufacturer

## YPLCAL FREQUENCY RESPONSE CURVE 頻率響應曲線

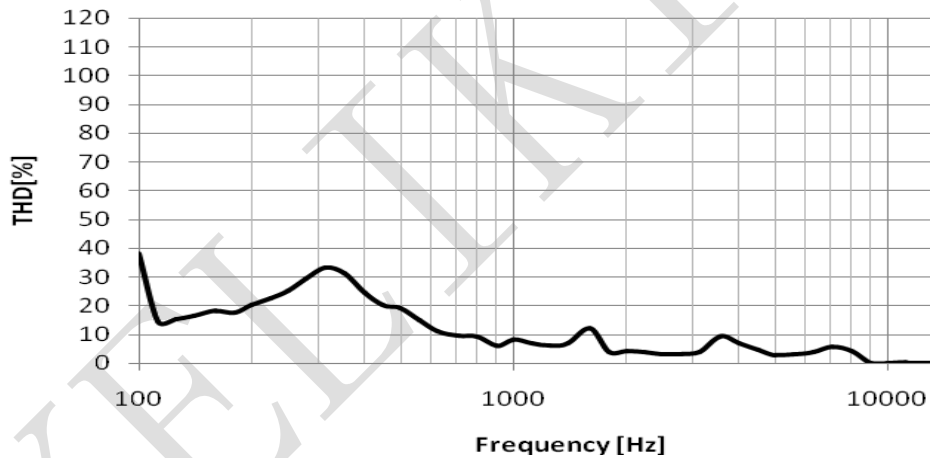
### D. Frequency Response Curve

E. Test condition: 0.1W/0.1M,



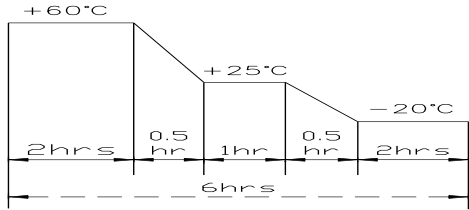
### Total Harmonic Distortion Curve

Test condition:0.1W/0.1M,



## E. RELIABILITY TEST

1	Reliability Test Performance	After any following test, parts should conform to original performance within $\pm 3$ dB tested with Rated Power, after 6 hours of recovery period.
2	High Temperature	96 hours at $+70^{\circ}\text{C}\pm 3^{\circ}\text{C}$
3	Low Temperature	96 hours at $-30^{\circ}\text{C}\pm 3^{\circ}\text{C}$
4	Humidity Test	96 hours at $+30^{\circ}\text{C}\pm 3^{\circ}\text{C}$ , 92-95% RH

5	Temp./Humidity Cycle	<p>The part shall be subjected 5 cycles. One cycle shall be 6 hours and consist of</p> 
6	Vibration Test	<p>Frequency: 10~55~10Hz Oct/min                      Amplitude: 1.5mm Duration: 2 hours each of 3 perpendicular directions</p>
7	Drop Test	<p>Drop the speaker contained in normal box onto the surface of 40mm thick board 10 times from the height of 75cm</p>
8	Operation Life Test	<p>Must perform normal with program White-Noise source at Rated Power for 96 Hours</p>
9	Termination Strength	<p>Apply 3.0N(0.306kg) to each terminal in horizontal direction for 30 seconds; Apply 2.0N(0.204kg) to each terminal in vertical direction for 30 seconds;</p>

## F. MEASURING METHOD

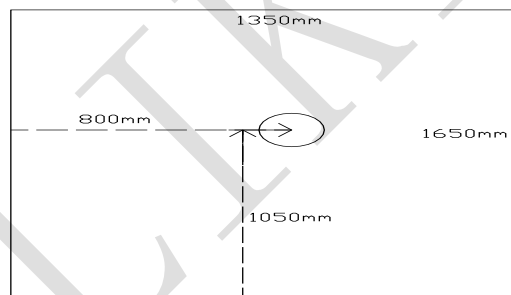


Fig. 1 Block Diagram for Measurement Method

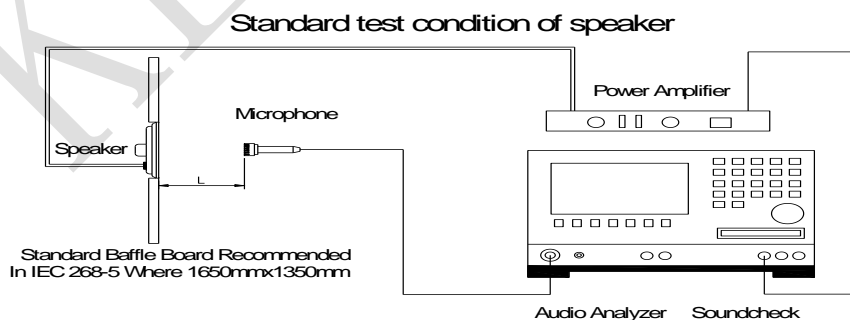


Fig. 2 Speaker Test Condi



常州市凯丽金电子有限公司---微型贴片电声元器件专业生产商

KELIKING ELECTRONIC-----Micro SMD Buzzer & Piezo transducer manufacturer

## F. PACKAGING

G. units: cm

H. Remark:

I. 100pcs per tray

J. 10 trays for unit, 2 units per carton

K. Total:2000 pcs per box

L. Size:34.5\*26.5\*30.5cm

