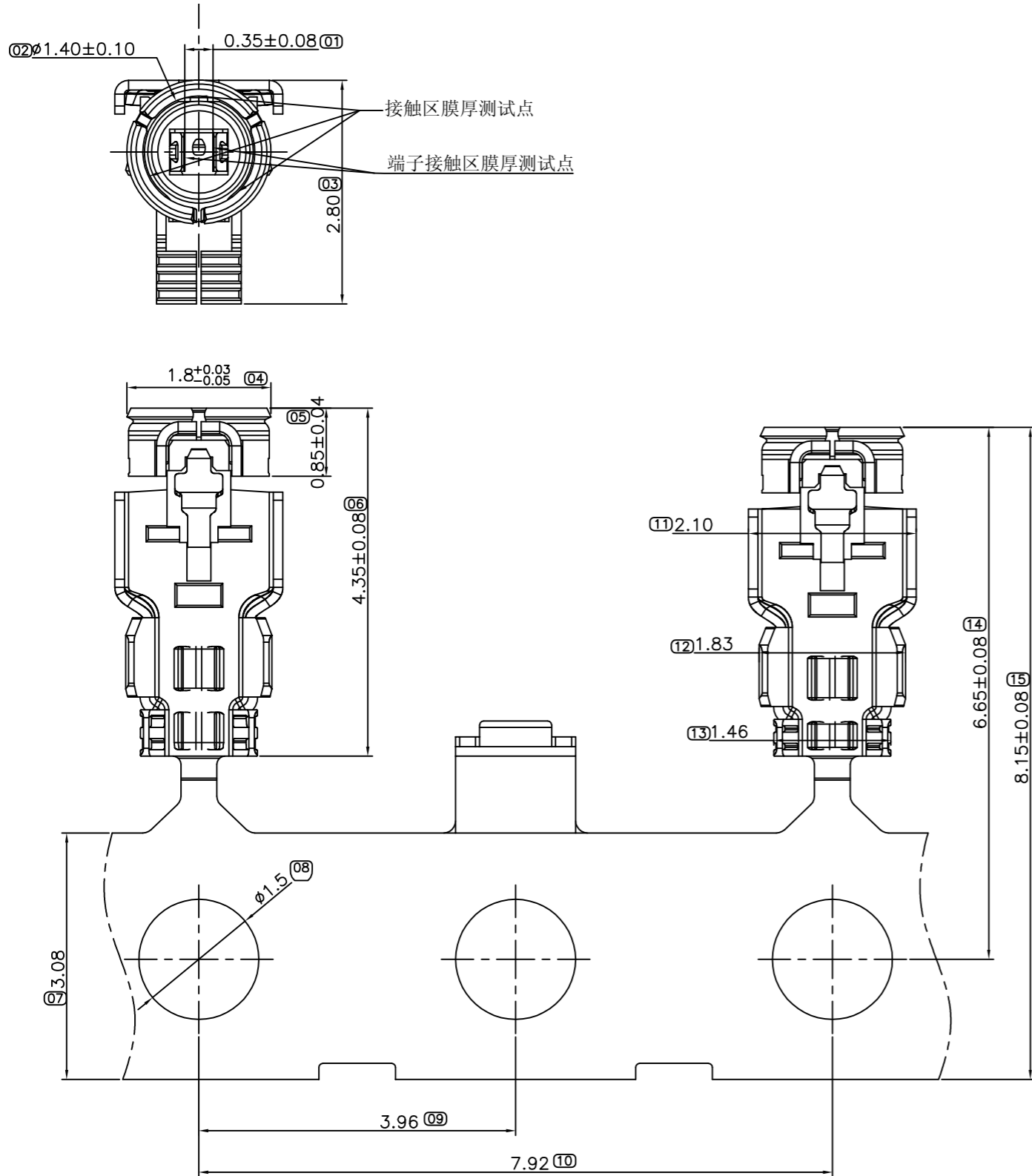
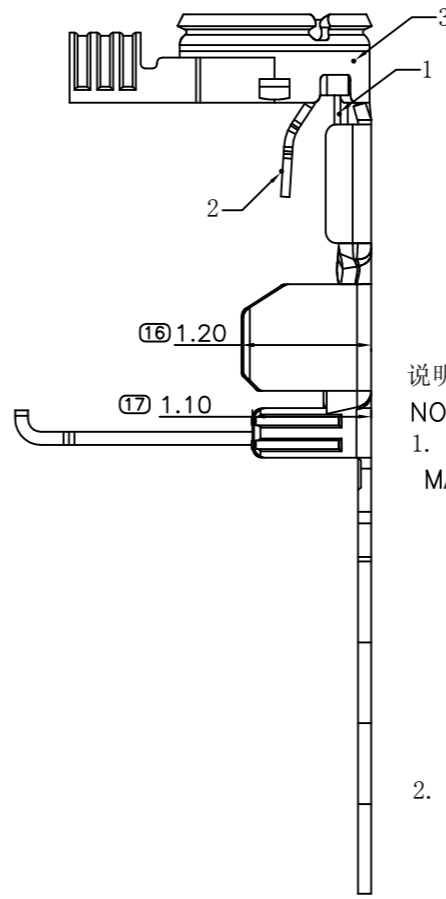
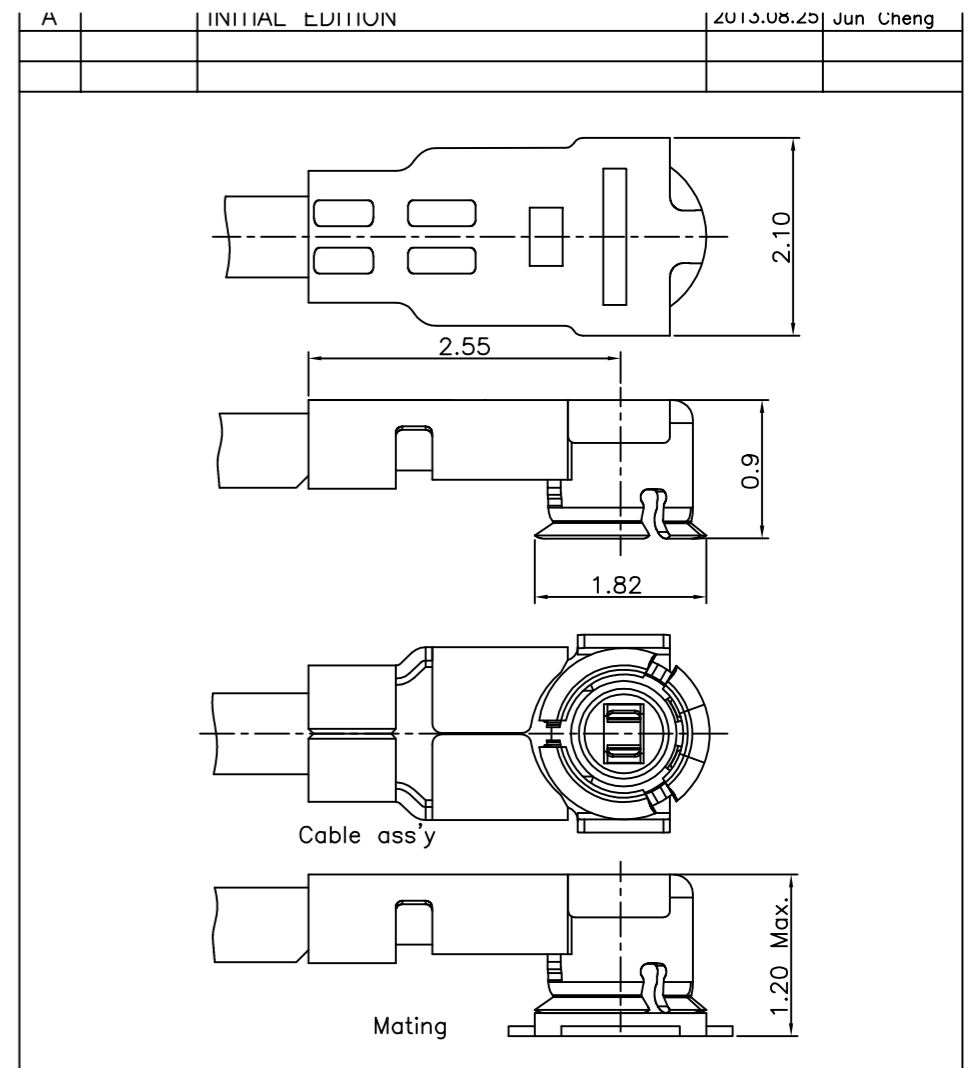


Kinghelm®



接触区膜厚测试点
端子接触区膜厚测试点



说明:
NOTE:
1. 材料:
MATERIAL:
1.1. 塑胶: PBT 颜色: 黑色, UL 94V-0;
Housing: PBT, Color: black, UL 94V-0;
1.2. 端子材料: 铜合金, 表面先镀底镍, 接触区镀金0.0762~0.127um;
Contact: Copper alloy, 0.127~0.20um gold plating on contact area over nickel plated;
1.3. 铜壳材料: 铜合金, 表面先镀底镍, 接触区镀金0.0254~0.0762um;
Shell: Copper alloy, 0.0254~0.0762um gold plating on contact area over nickel plated,
2. 产品性能:
PRODUCT PERFORMANCE:
2.1. 接触阻抗: 20mΩ Max.
Termination Resistance: 20mΩ Max.
2.2. 耐电压: 200V AC, 1 Minute;
Dielectric Withstanding Voltage: 200V AC, 1 Minute;
2.3. 绝缘阻抗: 500MΩ Min.
Insulation Resistance: 500MΩ Min.
2.4. 插拔耐久性: 30次 Min.
Durability: 30 cycles Min.

3	SHELL	1	COPPER ALLOY
2	CONTACT	1	COPPER ALLOY
1	HOUSING	1	THERMOPLASTIC
ITEM	DESCRIPTION	Q'TY	MATERIAL

EXTEND USE	RF 1.2H PLUG CONNECTOR	TITLE	081-4RF CONNECTOR CUSTOMER DRAWING	深圳市金航标电子有限公司
GENERAL TOLERANCE	①	UNIT	mm	DWG NO
DIMENSION	±0.30	MATERIAL	APPD	081-4RF
ANGLES	±3°	QTY	CHD	P/N:
.0	±0.25	FINISHED	DRN	ZP00081-4RF
.00	±0.20			SHEET
.000	±0.10			SCALE
				1/2
				1:1
				REV
				A