

6

5

4

3

2

1

D

D

C

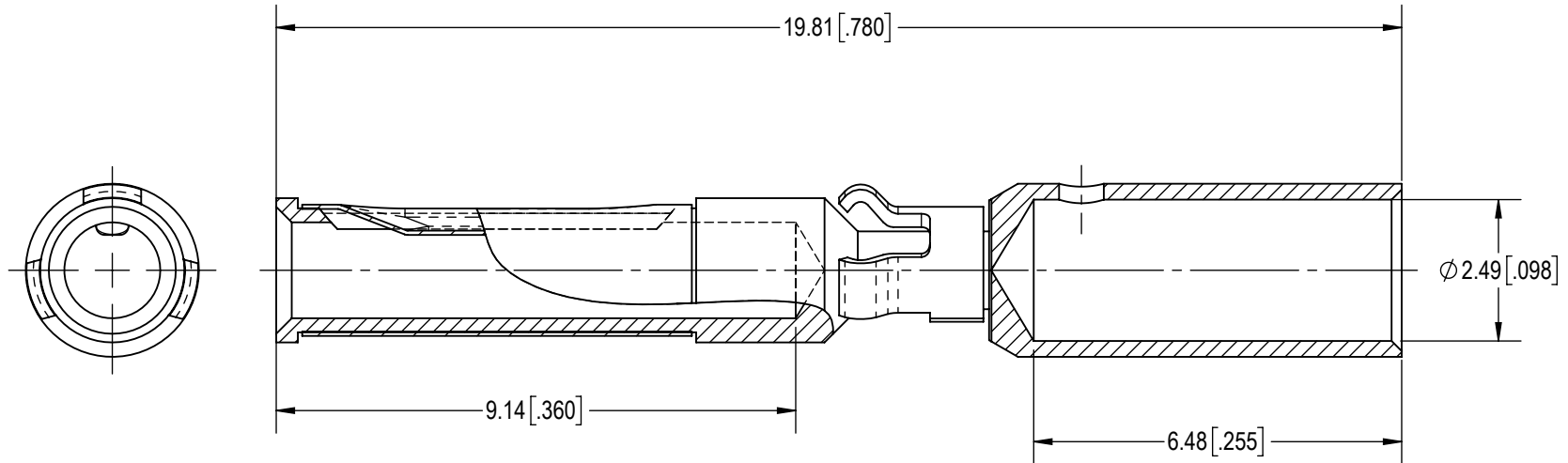
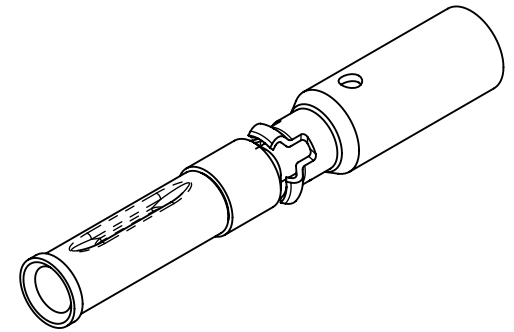
C

B

B

A

A



NOTES:

1. MATERIALS AND FINISH:

CONTACT: PRECISION MACHINED COPPER ALLOY, GOLD FLASH OVER NICKEL PLATE.

SPRING CLIP: BERYLLIUM COPPER, GOLD FLASH OVER NICKEL PLATE.

RETAINER: BERYLLIUM COPPER, NICKEL PLATE.

2. MOS 1565.0: THIS MOS ALLOWS FOR FEMALE CONTACTS USED ON NIM SERIES TO HAVE AN OVERALL LENGTH OF 19.81 [.780] AND A MATING DIAMETER DEPTH OF 9.14 [.360].

3. CONTACT IS COMPLIANT TO THE CURRENT RoHS DIRECTIVE.

4. DETAILED PRODUCT, MECHANICAL AND ELECTRICAL INFORMATION IS AVAILABLE IN THE LATEST COMPACT POWER PRODUCT PUBLICATION AT CONNECTPOSITRONIC.COM.5. CRIMPING TOOL INFORMATION IS AVAILABLE AT WWW.CONNECTPOSITRONIC.COM/CrimpToolCrosslist.

BY APG	CHK SS	3RD ANGLE 	POSITRONIC BELIEVES THE DATA ON THE DRAWING TO BE RELIABLE. THE USER EMPLOYS SUCH INFORMATION AT HIS OWN DISCRETION AND RISK. POSITRONIC ASSUMES NO RESPONSIBILITY FOR RESULTS OBTAINED OR DAMAGES INCURRED FROM USE OF SUCH INFORMATION IN WHOLE OR IN PART.	 Positronic® CONNECTPOSITRONIC.COM
APR PA	RELEASED DATE: 2021-03-08	SCALE NTS		
TOLERANCES ±0.03mm [.001 INCHES] FOR MALE CONTACT MATING DIAMETERS ±0.08mm [.003 INCHES] FOR CONTACT TERMINATION DIAMETERS ±0.13mm [.005 INCHES] FOR ALL OTHER DIAMETERS ±0.38mm [.015 INCHES] FOR ALL OTHER DIMENSIONS ±5° FOR ALL ANGLES DIMENSION ARE IN MILLIMETERS [INCHES]		PART NUMBER FC112N2/AA-1565.0	SERIES PCI	
		TITLE FC112N2/AA-1565.0		
CREATED ON: 2021-01-30	SHEET SHEET 1 OF 1	REV A		

6

5

4

3

2

1