

Heavy duty footswitch

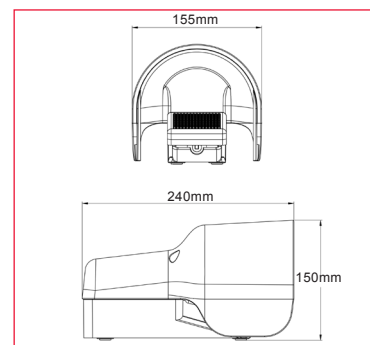
Product overview

- Industrial die-cast footswitch for heavy duty applications
- Snap action and slow action contact blocks 1 NO + 1 NC
- Rising saddle-washer terminal connections
- Single or double-pole contact blocks
- Positive opening operation
- Silver contacts
- Anti-slip foot pedal
- Non-slip rubber feet
- Supplied with cable gland
- Manufactured to meet the requirements of IP65
- CE approved

SPECIFICATION				
Contact block rated	10A			
Insulation voltage (Ui)	500VAC 600VDC			
Utilisation categories	Q300 A600	69VA, 125-250VDC 720VA, 120-600VAC		
Protection against short circuits	Fuse 10A 500V type aM			
Alternate current: AC15 (50-60Hz)	Ui (V) Ie (A)	250 6	400 4	500 500
Direct current: DC13	Ui (V) Ie (A)	24 6	125 1.1	250 0.4
Connectors flexible wire sizes	min - 1 x 0.5 mm ² (1 x AWG 20) max - 2 x 2.5mm ² (2 x AWG 14)			
Actuating force	Single snap action Single slow action Double snap action Double slow action	10N 12N 13N 15N		
Ambient temperature	From -25°C to +80°C			
Weight	Guarded Unguarded	1.4 kg 0.55 kg		

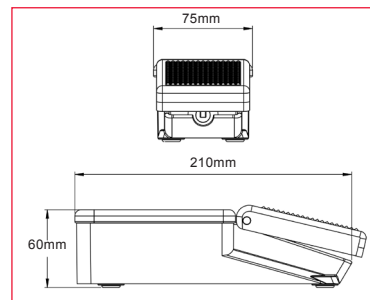
Guarded footswitch

PART NO.	TYPE
CFSHC1	Guarded 1 snap action contact block - 1NO + 1NC (↔)
CFSHC2	Guarded 1 slow action contact block - 1NO + 1NC (↔)
CFSHC1C1	Guarded 2 snap action contact blocks - 2x 1NO + 1NC (↔)
CFSHC2C2	Guarded 2 slow action contact blocks - 2x 1NO + 1NC (↔)
CFSHC1C2	Guarded 1 snap and 1 slow action contact blocks 2x 1NO + 1NC (↔)



Un-guarded footswitch

PART NO.	TYPE
CFUHC1	Unguarded 1 snap action contact block - 1NO + 1NC (↔)
CFUHC2	Unguarded 1 slow action contact block - 1NO + 1NC (↔)
CFUHC1C1	Unguarded 2 snap action contact blocks - 2x 1NO + 1NC (↔)
CFUHC2C2	Unguarded 2 slow action contact blocks - 2x 1NO + 1NC (↔)
CFUHC1C2	Unguarded 1 snap and 1 slow action contact blocks - 2x 1NO + 1NC (↔)



KEY FEATURES

NO or NC contact blocks | Snap action or slow action | Double or single contacts