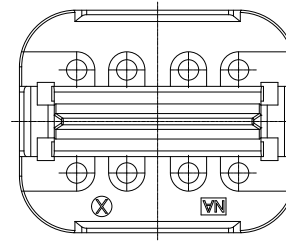
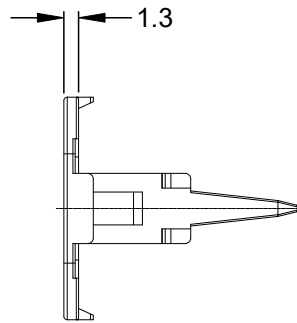
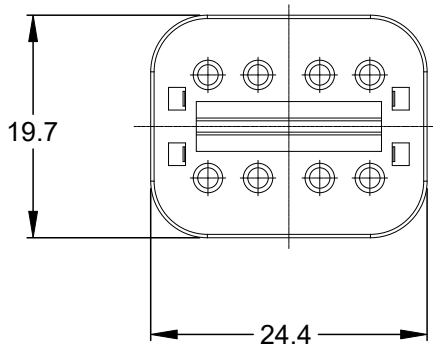
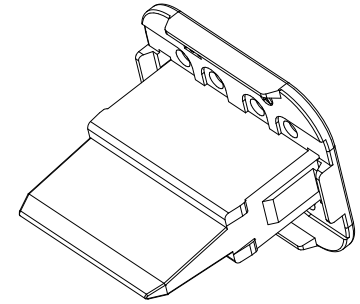
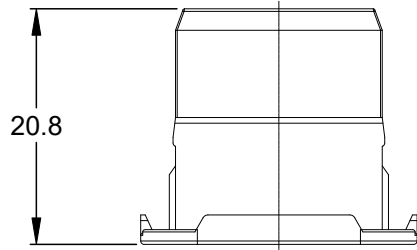


REVISIONS					
REV	ECO	DESCRIPTION	DATE	BY	APPR
A3	--	RELEASE NEW DWG FORMAT	18/SEP/13	DRP	
A4	--	UPDATE DRAWING	10/MAY/19	JOE	TOMMY
A5	--	ADDED 2 RIBS, SHOW THRU TOOLING HOLES	06JUN2023	JAH	DH



NOTES: UNLESS OTHERWISE SPECIFIED

1. MATERIAL: THERMOPLASTIC; COLOR: GREEN
2. RoHS COMPLIANT
3. CAVITIES: 8
4. KEYED: N/A
5. USE WITH CONNECTORS AT06-08S*
(* = MODIFICATIONS AND/OR COLORS)
6. ALL DIMENSIONS ARE FOR REFERENCE USE ONLY.

AW8S									
QUANTITY	PART NUMBER	DESCRIPTION			ITEM				
MATERIALS LIST									
<p>UNLESS OTHERWISE SPECIFIED</p> <p>1) All dimensions are in metric(mm).</p> <p>2) Tolerances are as follows:</p> <table border="0"> <tr> <td>1 PL DEC ±0.30</td> <td rowspan="3">Fractions ±1/64</td> </tr> <tr> <td>2 PL DEC ±0.15</td> </tr> <tr> <td>3 PL DEC ±0.08</td> </tr> </table> <p>Angles ±1°</p> <p>3) Note reference = </p>		1 PL DEC ±0.30	Fractions ±1/64	2 PL DEC ±0.15	3 PL DEC ±0.08	<p>SIGNATURES</p> <p>DRAWN: JOE</p> <p>CHECKED: ORION</p> <p>ENGINEER:</p> <p>APPROVAL: TOMMY</p> <p>CUSTOMER:</p>		<p>DATE</p> <p>10/MAY/19</p> <p>10/MAY/19</p> <p>10/MAY/19</p>	
1 PL DEC ±0.30	Fractions ±1/64								
2 PL DEC ±0.15									
3 PL DEC ±0.08									
MATERIAL SPECIFICATIONS:		<div style="text-align: center;"> <h1>Amphenol</h1> <p>Sine Systems - www.amphenol-sine.com 44724 Morley Drive Clinton Township, MI 48036</p> <hr/> <h2>S-WEDGELOCK, 8 POSITION, AT SERIES</h2> </div>							
PROCESS SPECIFICATIONS:									
NEXT ASSY:									
SIZE	TYPE	DWG NO:		REVISION					
A	C-	AW8S		A5					
SCALE: NONE				SHEET 1 OF 1					