

NG1 Receptacles

Application

- Sealed power connectors
- Engine harness
- Cockpit harness
- Fuse box

Technical Features

- High current capacity
- Compatible with single wire sealing
- Reversible in housing cavity

Contact Resistance:

<1 mΩ

Current Capacity for 40 °C Rise in T° for Micro Alloy Copper Receptacle:

3.0 mm² = 32 A

6.0 mm² = 43 A

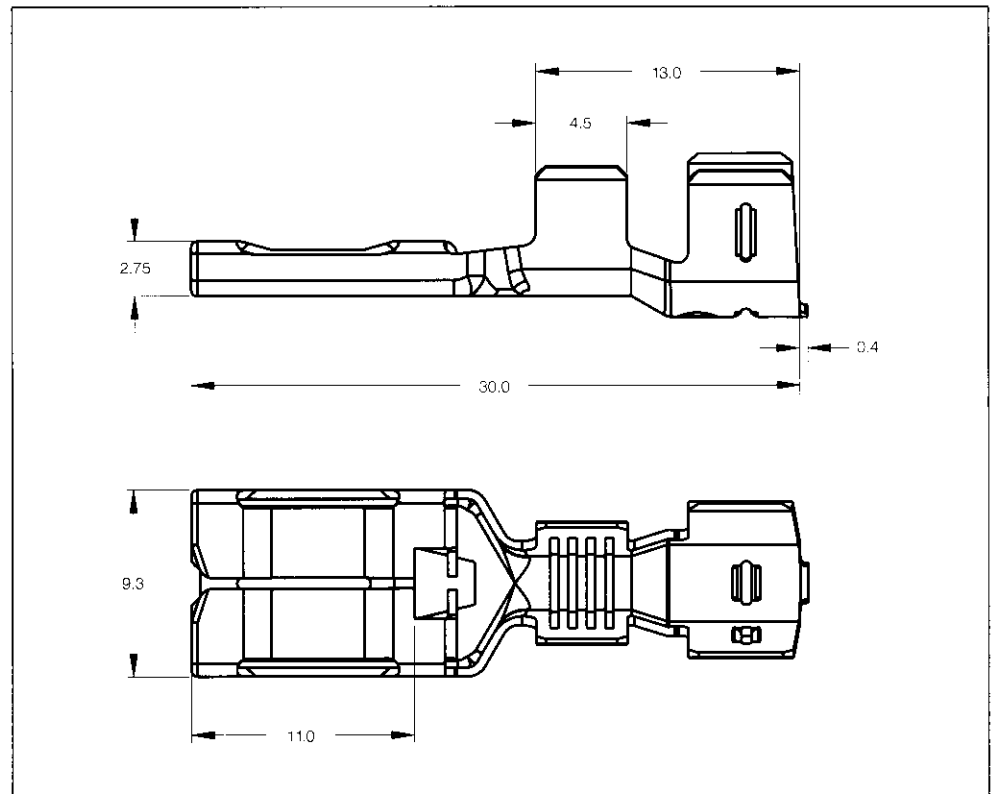
10.0 mm² = 57 A

Insertion Force:

<20 N

Withdrawal Force:

<15 N



NG1 Receptacle Contacts

Wire Size Range	Insulation Diameter		Material and Finish	Part Numbers				Applicator	Hand Tool with Die Set
	FLK	FLR		Strip Form	Packaging Unit	Loose-Piece	Packaging Unit		
mm ² (AWG)	mm (Inch)	mm (Inch)							
3.0-6.0 (12-10)	3.2-4.4 (.126-.173)	-	Micro alloy copper, Sn	1544107-1 *	4,200	-	-	-	-
3.0-6.0 (12-10)	3.2-4.4 (.126-.173)	-	Micro alloy copper, Sn	1544227-1	4,200	-	-	-	-
7.0-10.0 (9-7)	4.9-6.0 (.193-.237)	-	Micro alloy copper, Sn	1544106-1 *	2,700	-	-	-	-
7.0-10.0 (9-7)	4.9-6.0 (.193-.237)	-	Micro alloy copper, Sn	1544228-1	2,700	-	-	-	-

Note:

For all Part Numbers Standard Tab Dimension = 8 x 1.0 mm

* Tab Dimension = 8 x 0.8 mm