

PLEASE CHECK WWW.MOLEX.COM FOR LATEST PART INFORMATION

Part Number: [1300030048](#)
Status: **Active**
Overview: Brad Quick-Change Connectors
Description: Quick-Change Brad Power Receptacle, 4 Pole, 1/2" - 14 NPT, Male (Straight) to 14/1 AWG Leads, 0.30m (11.81") Length

Documents:

[Drawing \(PDF\)](#) [RoHS Certificate of Compliance \(PDF\)](#)

Agency Certification

CSA LR6837
 UL E46237

General

Product Family Industrial Receptacles
 Series [130003](#)
 IP Rating IP67
 Overview [Brad Quick-Change Connectors](#)
 Product Name Quick-Change
 Type Single Ended (pigtail)
 UPC 78678832632

Physical

Coupling Type External Thread
 Gender Male
 Keyway Single
 Length 0.305m
 Material - Component Gray Anodized Aluminum
 Mounting Thread Size 1/2" - 14 NPT
 Orientation Straight
 Panel Mount Back
 Poles 4
 Temperature Range - Operating -20°C to +90°C
 Wire Size AWG 14
 Wire/Cable Type UL 1015

Electrical

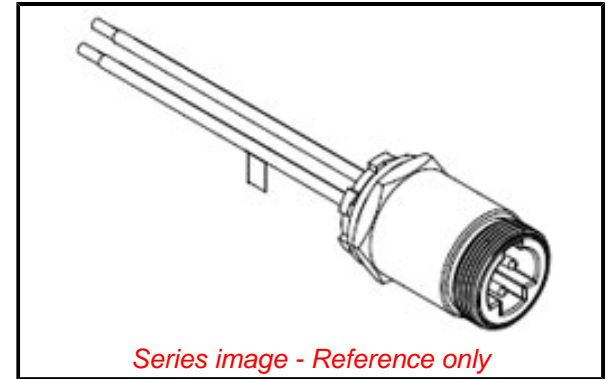
Current - Maximum per Contact 15.0A
 Voltage - Maximum 600V AC/DC

Material Info

Engineering Number 32632

Reference - Drawing Numbers

Sales Drawing SD-130003-003



Series image - Reference only

EU ELV

Not Relevant

EU RoHS

Not Reviewed

REACH SVHC

Not Reviewed

Halogen-Free

Status

Not Reviewed

Need more information on product environmental compliance?

Email productcompliance@molex.com
 Please visit the [Contact Us](#) section for any non-product compliance questions.

China ROHS

Not Reviewed

ELV

Not Relevant

RoHS Phthalates

Not Reviewed

Search Parts in this Series

[130003 Series](#)

PLEASE CHECK WWW.MOLEX.COM FOR LATEST PART INFORMATION