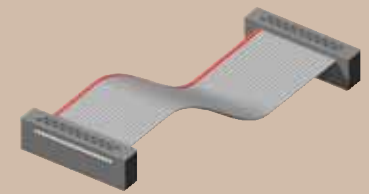
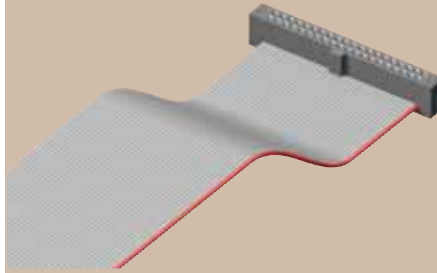




FFSD-20-S-10.00-01-N



FFSD-10-D-02.00-01-N

FFSD SERIES

(1,27 mm) .050"

TIGER EYE™ FLAT IDC WIRE CABLES

Mates with:
FTS, FTSH, EHF,
SHF, ESHF

SPECIFICATIONS

For complete specifications see www.samtec.com?FFSD

Insulator Material:

PBT

Contact:

BeCu

Plating:

10µ" (0,25 µm) Au over 50µ" (1,27 µm) Ni on contact area;
Sn over 50µ" (1,27 µm) Ni on balance

Wire:

30 AWG

Current Rating (FFSD/FTSH):
2.3 A per pin
(1 pin powered per row)

Operating Temp Range:
-40°C to +105°C

Lead Size Accepted:

(0,41 mm) .016" SQ

Contact Resistance:

15 mΩ

Insertion Depth:

(2,64 mm) .104" to
(3,17 mm) .125"

Insertion Force:

(Single contact only)
5 oz (1,39 N) avg.

Withdrawal Force:

(Single contact only)
3 oz (0,83 N) avg.

RoHS Compliant:

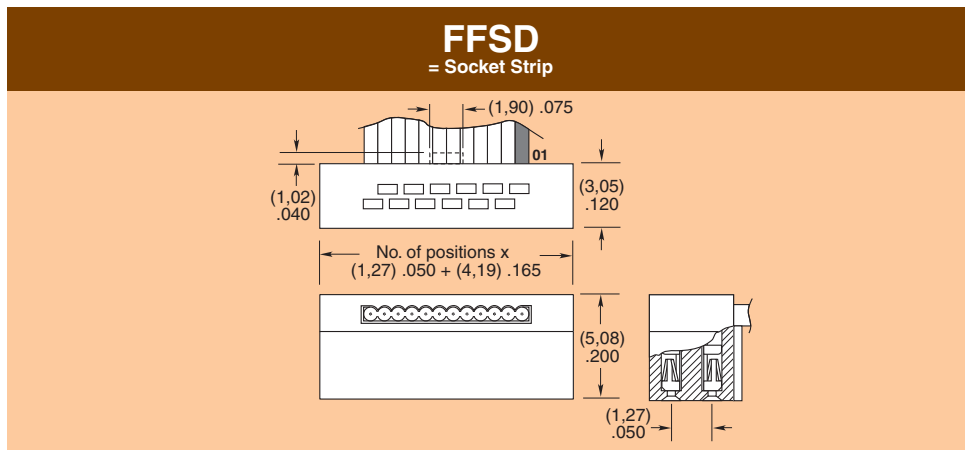
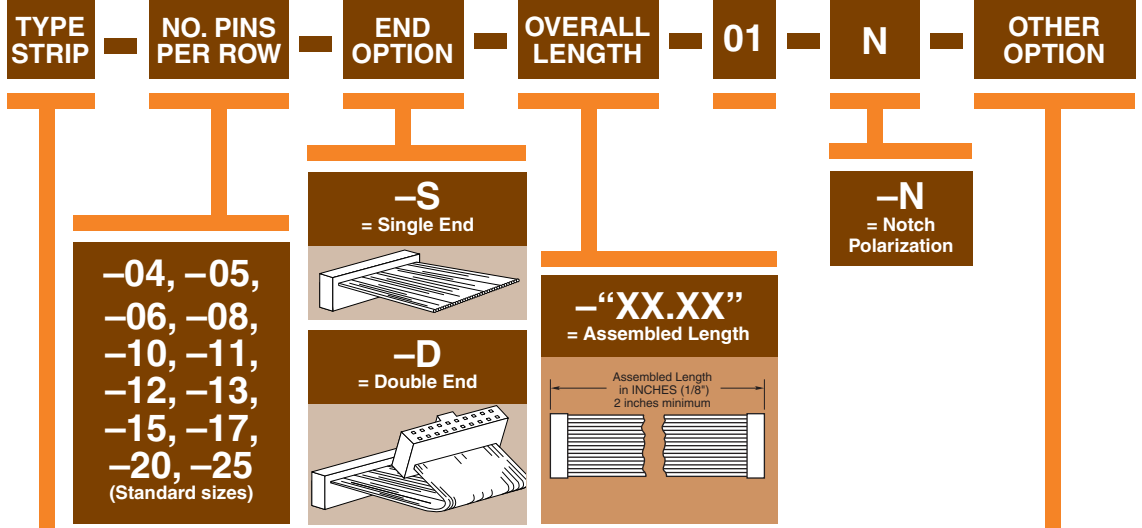
Yes

RECOGNITIONS

For complete scope of recognitions see www.samtec.com/quality



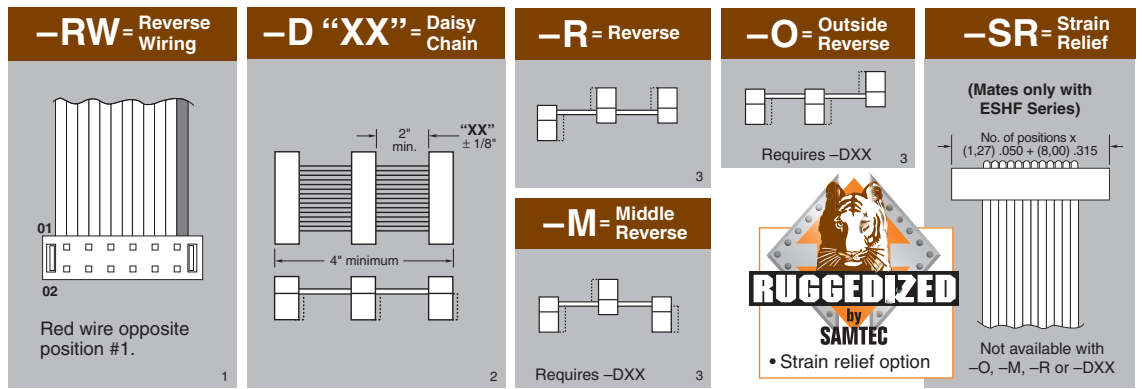
FILE NO. E111594



ALSO AVAILABLE (MOQ Required)

- Other sizes
- Contact Samtec.

Note: This Series is non-standard, non-returnable.



Due to technical progress, all designs, specifications and components are subject to change without notice.

WWW.SAMTEC.COM