

Web site: [www.marinco.com](http://www.marinco.com)

Phone: 800-307-6702

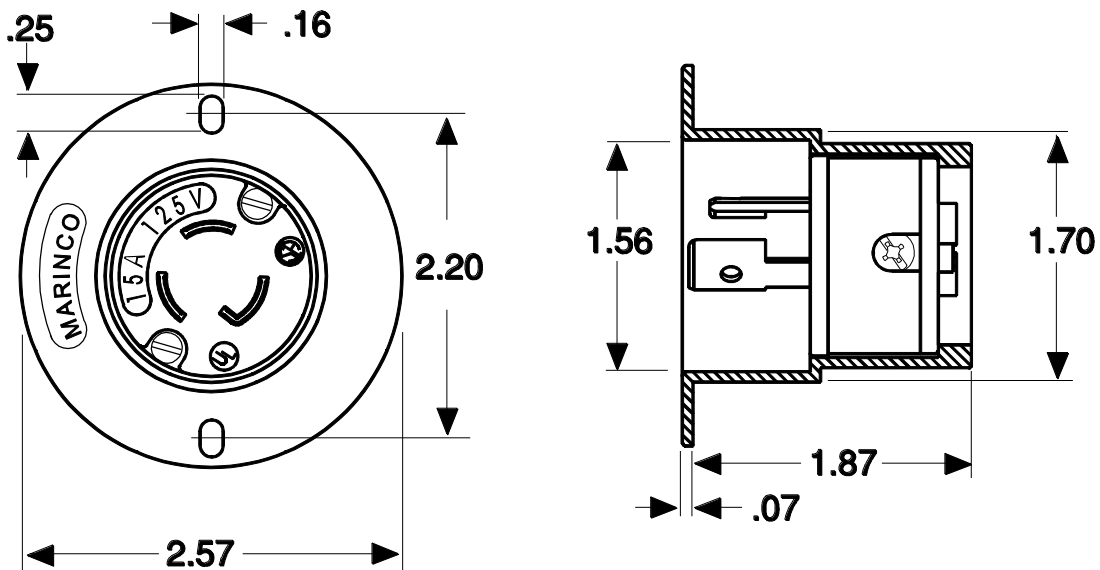
Date: July, 2011

Rev: 02

Flanged Inlet, locking  
15A, 125V  
2-Pole, 3-Wire

### Catalog Number: 4716

- Item: Flanged Inlet, locking
- Rating: 15 amperes, 125 volts, NEMA Configuration L5-15P
- Materials: Device body and flange are nylon with CTI greater than 600 volts. Blades are solid brass, 0.060" thick.
- Terminals: Tempered brass, lug style, Perma-Lock™ design. Terminals visible through clear end cap.
- Terminal Identification: Terminal screws are color coded. Ground wire entrance hot stamped green and marked "GR." Line wire entrance hot stamped black.
- Listings: UL listed, File E57672  
CSA certified, File LR81290
- Dimensions:



Dimensions shown in inches