

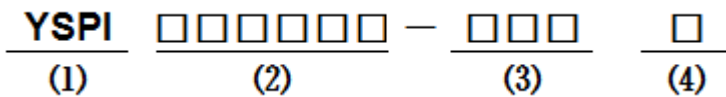
■ Features

- Molding Inductor.
- Low Profile,Low Temp.
- Large Current(Over 15A).
- Customize For Different Need.
- Operating temperature:-55℃ ~ +125℃(Including self - temperature rise).

■ Applications

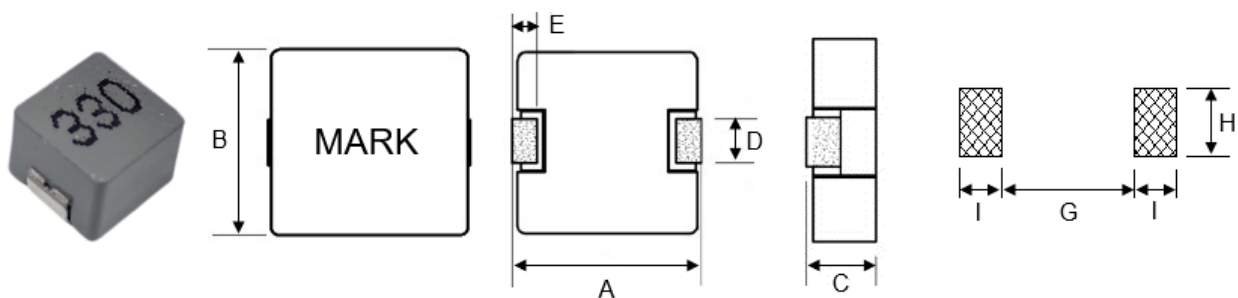
- General Electronic.
- Video Device,TV,TFT.
- Power Module for PC.
- NB/Lap Top Computer.
- Server,VGA Card/Module.

■ Product Identification



- (1) : Type
- (2) : Dimensions
- (3) : Inductance value
- (4) : Inductance Tolerance: N=±30%,M=±20%

■ Shapes and Dimensions (Unit: mm)



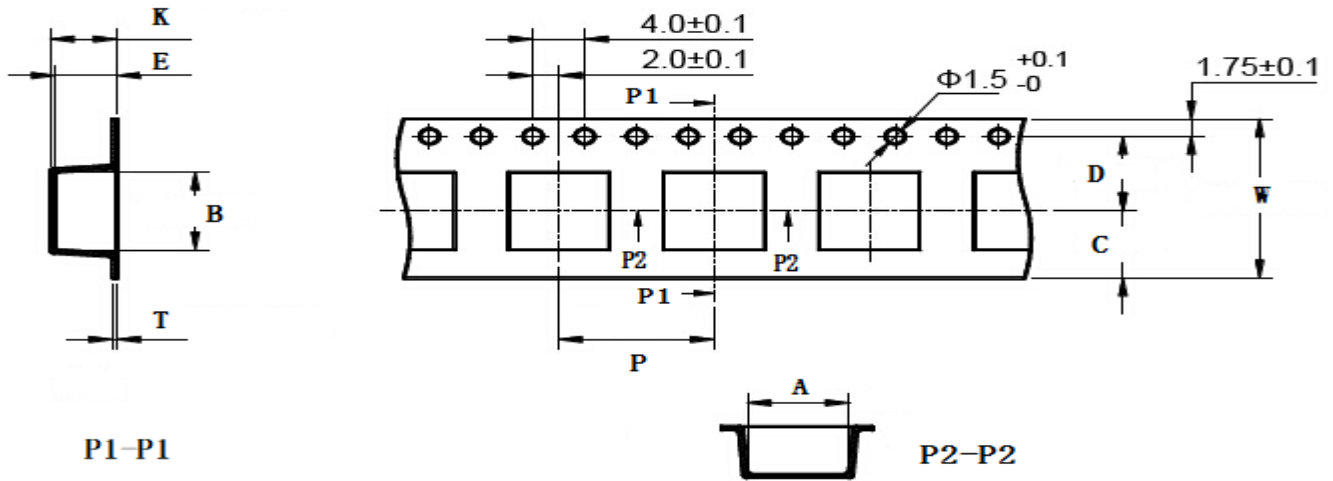
TYPE	A	B	C Max.	D	E	G Ref.	H Ref.	I Ref.
YSPI1040TP	10.5±1.0	10.3±0.3	4.0	2.8±0.3 Flatten OR 3.0±0.3	2.0±0.5	6.0	4.0	3.5

■ YSPI1040TP Series

Part Number	Inductance (uH) @100KHz	DC Resistance (mΩ)		Heat Rating Current (A)	Saturation Current (A)
		Typ.	Max.		
YSPI1040TP-R19M	0.19±20%	0.8	1.0	40.0	100.0
YSPI1040TP-R22M	0.22±20%	0.7	0.8	36.0	80.0
YSPI1040TP-R33M	0.33±20%	1.1	1.3	32.0	70.0
YSPI1040TP-R36M	0.36±20%	1.1	1.4	31.0	65.0
YSPI1040TP-R47M	0.47±20%	1.2	1.4	30.0	60.0
YSPI1040TP-R56M	0.56±20%	1.7	2.0	28.0	55.0
YSPI1040TP-R68M	0.68±20%	2.2	2.6	25.0	50.0
YSPI1040TP-R82M	0.82±20%	2.1	2.5	24.0	41.0
YSPI1040TP-1R0M	1.0±20%	2.2	2.5	22.0	40.0
YSPI1040TP-1R2M	1.2±20%	2.9	3.5	20.0	35.0
YSPI1040TP-1R5M	1.5±20%	4.3	5.2	18.0	30.0
YSPI1040TP-2R2M	2.2±20%	5.3	6.5	16.0	28.0
YSPI1040TP-3R3M	3.3±20%	10.3	13.0	14.0	25.0
YSPI1040TP-4R7M	4.7±20%	15.3	18.0	12.0	20.0
YSPI1040TP-5R6M	5.6±20%	15.5	18.5	10.0	16.0
YSPI1040TP-6R8M	6.8±20%	21.5	26.0	9.0	13.5
YSPI1040TP-8R2M	8.2±20%	30.0	36.0	8.0	14.0
YSPI1040TP-100M	10±20%	32.0	38.0	7.0	13.0
YSPI1040TP-220M	22±20%	59.4	65.0	6.0	9.0
YSPI1040TP-330M	33±20%	105.0	118.0	4.5	7.5
YSPI1040TP-470M	47±20%	129.0	145.0	3.6	5.5

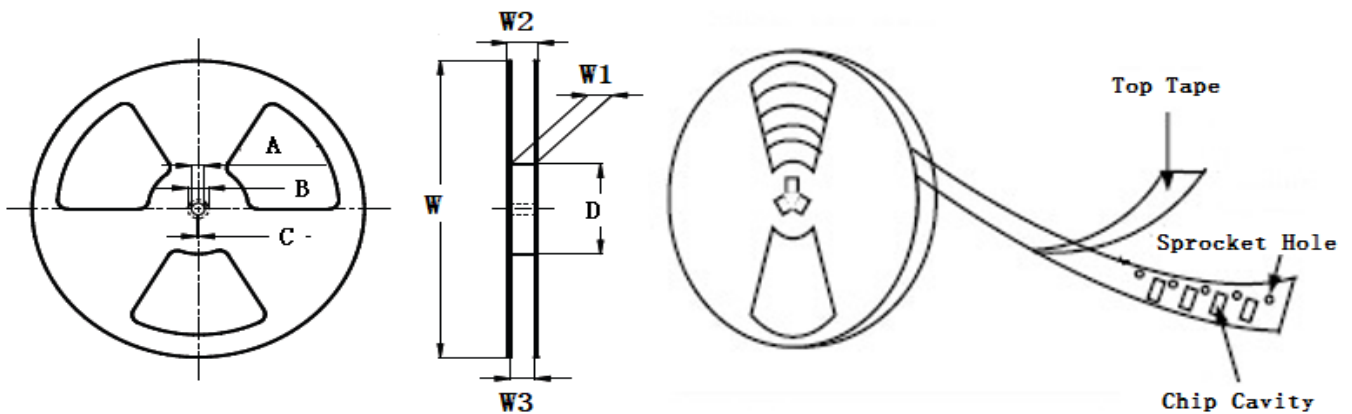
- ※ The saturation current value is the DC current value having inductance decrease down to 30%.(at 20°C)
- ※ The temperature rise current value is the DC current value having temperature increase up to 40°C. (at 20°C)
- ※ The rated current is the DC current value that satisfies both of current value saturation current value and temperature rise current value.

■ Taping Dimensions(Unit:mm)



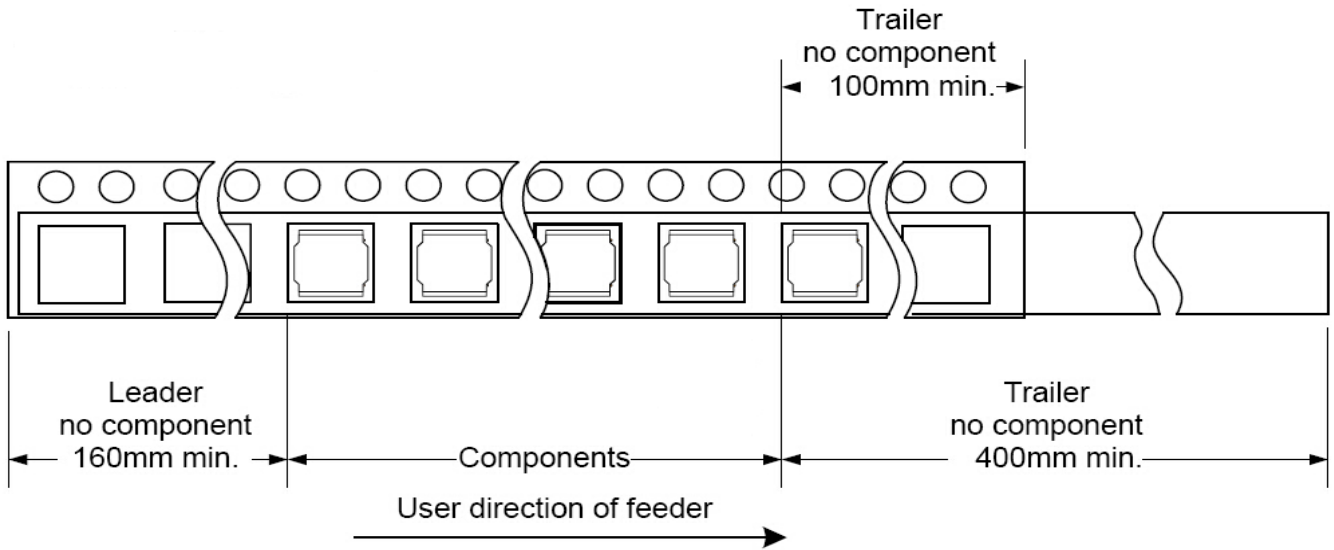
TYPE	W	A	B	C	D	E	P	K Ref	T	MPQ
YSPI1040TP	24.0±0.3	10.8±0.1	11.3±0.1	10.75	11.5±0.1	4.4±0.1	16.0±0.1	4.6	0.40±0.05	1000

■ Reel Dimensions(Unit:mm)

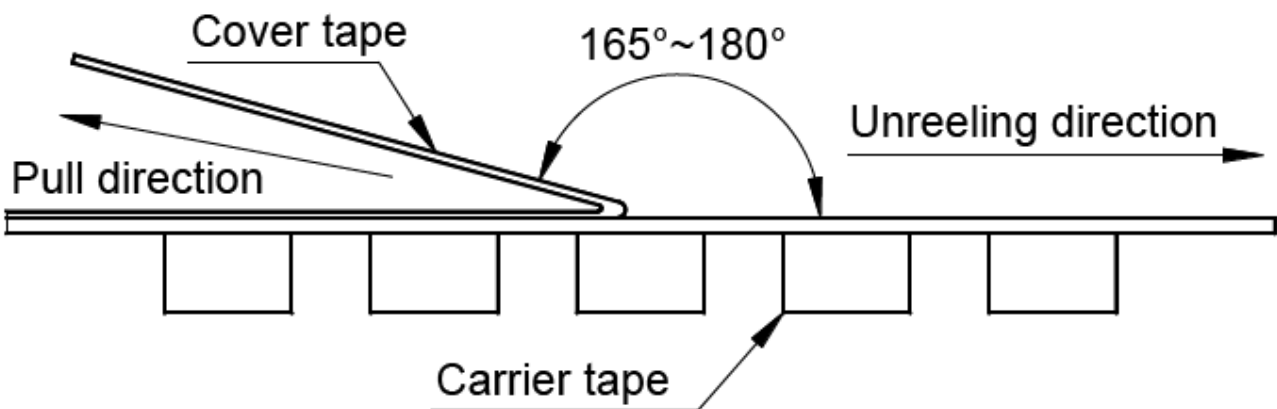


TYPE	W	W1	W2	W3	A	B	C	D
YSPI1040TP	330±2.0	24.4±2.0	30.4MAX	23.9 Min	13.0±0.50	21.0±0.80	2.0±0.50	100 Min

Direction of rolling



Cover tape peel off condition



Cover tape peel force shall be 0.1N to 1.3N.

Reference peel speed 300 ± 10 mm/min.