

Power Choke Coil

Series: **PCC-M0630W (MC)**

High power, Low loss, Low-profile



■ Features

- Small type (7.3×6.6×H3.0 mm)
- High power (3.8 A to 8.1 A)
- Low loss (R_{DC} :6.9 to 35.0 m Ω)
- Suitable for high frequency circuit (up to 1 MHz)
- Low buzz noise due to its gap-less structure
- RoHS compliant

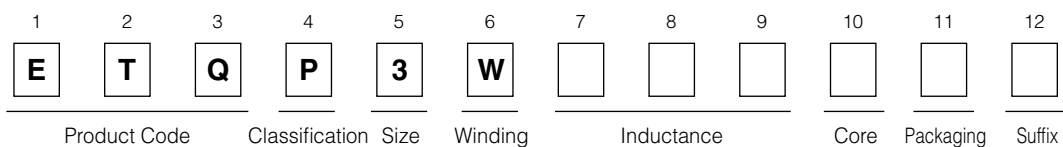
■ Recommended Applications

- Notebook PC power supply modules
- Servers, Routers, DC-DC converters for driving CPUs

■ Standard Packing Quantity

- 1000 pcs./Reel

■ Explanation of Part Numbers



■ Standard Parts

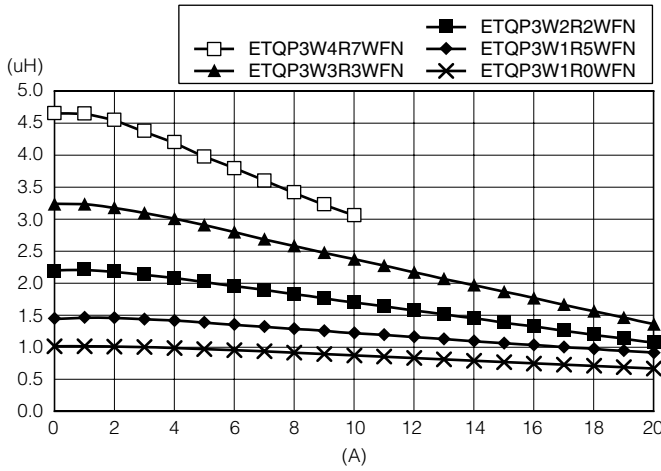
| Part No. | Inductance (at 20 °C)*1 | | | Rated current (A)*2 | DC resistance (at 20 °C) (m Ω) |
|--------------|-------------------------|----------------|-------------------------|---------------------|--|
| | L0 at 0A | L1 (Reference) | | | |
| | (μ H) | (μ H) | Measurement current (A) | | |
| ETQP3W1R0WFN | 1.0±20 % | (0.92) | 8.1 | 8.1 | 6.9±15 % |
| ETQP3W1R5WFN | 1.5±20 % | (1.33) | 6.6 | 6.6 | 9.8±15 % |
| ETQP3W2R2WFN | 2.2±20 % | (1.95) | 5.8 | 5.8 | 15.5±15 % |
| ETQP3W3R3WFN | 3.3±20 % | (2.90) | 4.8 | 4.8 | 25.0±15 % |
| ETQP3W4R7WFN | 4.7±20 % | (4.20) | 3.8 | 3.8 | 33.0±15 % |

(*1) Inductance is measured at 100 kHz.

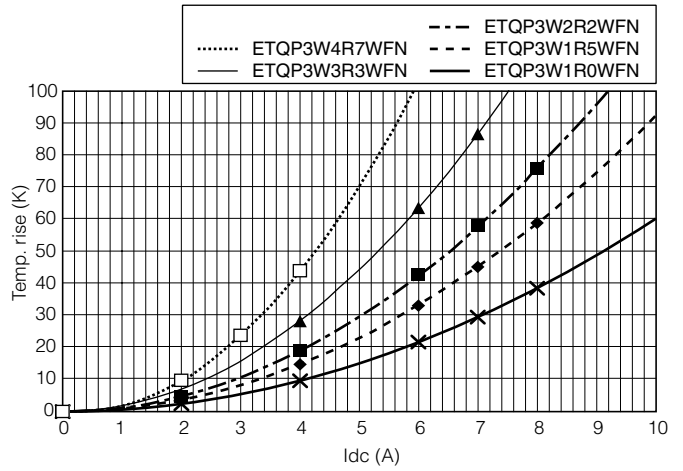
(*2) Rated current defines actual value of DC current, when temperature rise of coil becomes 40 K.

Performance Characteristics (Reference)

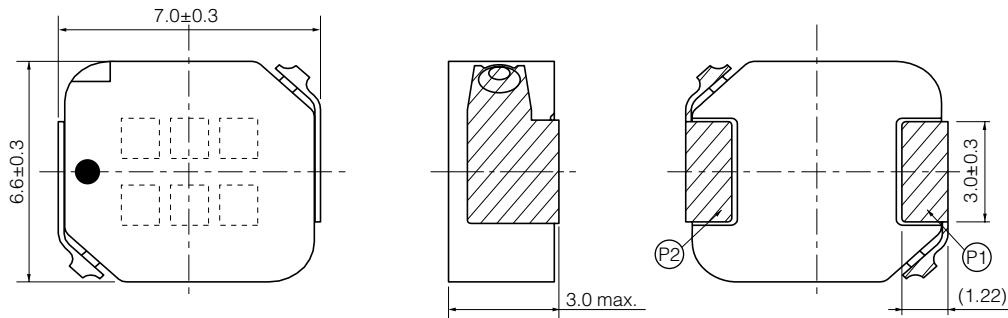
Inductance vs DC Current



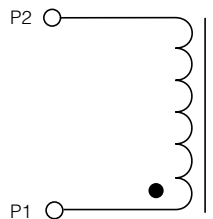
Case Temperature vs DC Current



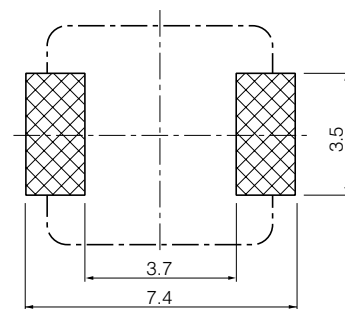
Dimensions in mm (not to scale)



Connection



Recommended Land Pattern in mm (not to scale)



Packaging Methods, Soldering Conditions and Safety Precautions (Power Choke Coils for Consumer use)

Please see Data Files