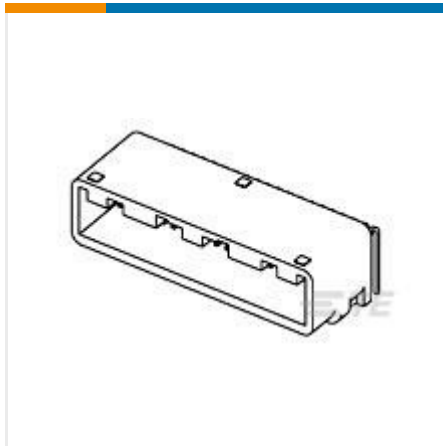




CONNECTORS

AUTOMOTIVE, TRUCK, BUS, & OFF-ROAD HEADERS



✓ Active

TE CONNECTIVITY (TE)

025 I/O CAP HSG ASSY 40P

TH/.025 Connector System

1318384-2

TE Internal Number: 1318384-2

EU RoHS Compliant

EU ELV Compliant

Tab Width .64 mm [.025 in]

Tab Thickness .64 mm [.025 in]

Centerline (Pitch) (in) .087

Pitch (mm) 2.2

Circuit Application Signal

↓ **PRODUCT DRAWING**
Japanese

↓ **3D PDF**

DOCUMENTATION

Product Drawings

025 SERIES 40 POSITION (PCB H-TYPE) CAP HOUSING ASSEMBLY

PDF

Japanese

CAD Files

3D PDF

PDF

3D

Customer View Model

2D_DXF.ZIP

English

Customer View Model

3D_IGS.ZIP

English

Customer View Model

3D_STP.ZIP

English

Product Specifications

Product Specification

025 SERIES I/O CONNECTORS (H-Type V-Type 2Row, Wire To Wire)

PDF

Japanese

025 SERIES I/O CONNECTORS (H-Type V-Type 2Row, Wire To Wire)

PDF

Japanese

025 SERIES I/O CONNECTORS (SMD-Type)

PDF

Japanese

025 SERIES I/O CONNECTORS (SMD-Type)

TIF

Japanese

.025 IDC Connectors

PDF

Japanese

.025 IDC Connectors

TIF

Japanese

0.64III SERIES CONNECTOR 2ROW

PDF

Japanese

0.64III SERIES CONNECTOR 2ROW

TIF

Japanese

0.64III SERIES CONNECTOR 2ROW

PDF

Japanese

.025 IDC Connectors

PDF

Japanese

.025 IDC Connectors

TIF

Japanese

Application Specification

Crimping Of 025 Receptacle Contact

TIF

Japanese

Crimping Of 025 Receptacle Contact

PDF

Japanese

Qualification Test Report

025 SERIES CONNECTOR (H-Type, V-Type, Wire To Wire)

PDF

Japanese

0.64III SERIES CONNECTOR 2ROW

PDF

Japanese

Instruction Sheets

Instruction Sheet (non U.S.)

025 SERIES I/O CONNECTORS (H-Type, V-Type 2Row)

PDF

Japanese

025 SERIES I/O CONNECTORS (H-Type, V-Type 2Row)

PDF

Japanese

FEATURES



Please review product documents or [contact us](#) for the latest agency approval information.

Please Note: Use the Product Drawing for all design activity.

Product Type Features

Sealed No

Hybrid Header No

Shielded No

Configuration Features

Number of Circuits 40

Number of Rows 2

Number of Sections 1

Number of Signal Positions 40

Electrical Characteristics

Nominal Voltage Architecture (V) 12

Voltage Rating (Max) (VDC) 12

Operating Voltage (VDC) 12

Body Features

Color Natural

Contact Features

Tab Width .64 mm [.025 in]
Tab Thickness .64 mm [.025 in]
Interface Plating Tin (Sn)

Termination Features

Termination Method Through Hole - Solder

Mechanical Attachment

Mounting Orientation Horizontal/90°
Panel Mount Retention Without
Mounting Holes With
PCB Mount Alignment Without
Locking Interface With
PCB Mount Retention Without

Housing Features

Centerline (Pitch) (in) .087
Pitch (mm) 2.2

Dimensions

Profile Height from PCB 15.5 mm [.61 in]
Width 49.4 mm [1.945 in]
PCB Thickness (Recommended) 1.2 – 1.6 mm [.048 – .062 in]
Length 24.47 mm [.963 in]

Usage Conditions

Operating Temperature (Max) (°C) 65, 70, 75, 80, 85, 90, 100, 105, 110, 120, 125, 130, 140, 145, 150
Operating Temperature (Max) (°F) 149, 158, 167, 176, 185, 194, 212, 221, 230, 248, 257, 266, 284, 293, 302
Operating Temperature Range -30 – 150 °C [-22 – 302 °F]

Operation/Application

Circuit Application Signal

Industry Standards

UL Flammability Rating UL 94-HB
Degree of Protection other

Packaging Features

Packaging Type Tube

Statement of Compliance

Statement of Compliance

PDF
