



AMPHENOL PCD SHENZHEN



EXCEL | MATE

High Voltage Safety Lock

www.amphenolpcd.com.cn

INDUSTRIAL@AMPHENOL
TRUSTED GLOBALLY

PRODUCT INTRODUCTION



When high-performance and increased safety are required in xEV, Amphenol PCD's **Excel|Mate** connectors fulfil the challenge.

HVSL Series is designed to meet AK standards for various xEV applications, including power and signal interconnect solutions. Different versions are available, from 1 position to 3 positions and a rated current from 23A to 250A.

Product	HVSL1200	HVSL1000	HVSL800	HVSL800	HVSL600	HVSL600	HVSL630	HVSL633	HVSL280	HVSL282	HVSL364
Position	2	1, 2, 3	2, 3	2	2, 3	1	2	3	3	2	4
Rated Voltage	1000V	1000V	1000V	1000V	1000V	800V	800V	800V	800V	800V	800V
Rated Current	350A	250A	180A	180A	120A	120A	40A	40A	23A	23A	46A
HVIL	√	√	√	√	√	√	√	√	√	√	√
Shielding	√	√	√	√	√	√	√	√	√	√	√
Shell	Plastic	Plastic	Plastic	Metal	Metal	Plastic	Plastic	Plastic	Plastic	Plastic	Plastic
IP67,IP6K9K	√	√	√	√	√	√	√	√	√	√	√
Touch-Proof IP2XB	√	√	√	√	√	√	√	√	√	√	√
Cable size mm ²	70 to 95	25 to 70	25 to 50	25 to 50	16 to 25	25	4 to 6	4 to 6	2.5 to 4	2.5 to 4	2.5 to 6
Cable type shielded wire	Individually	Individually	Individually	Individually	Individually	Individually	multicore	Individually	multicore	Individually	Individually

Excel|Mate Eco (HVSL280 3 POSITION CONNECTOR)



HVSL280

HVSL280 is a 3 position connector with plastic housing, high voltage , integrated HVIL. It provides a current carrying capacity from 16 to 23A and 2.5 to 4mm² crimping cable.

Specially designed for DC-DC, air-conditioner, and other equipment in xEV device applications.

KEY FEATURES

Integrated internal HVIL

Current rating up to 23A

Two-stage, tool or thumb activated latching

No tool required to unmate

Sealing, IP67 (mated), IP6K9K

Touch-proof, IP2XB

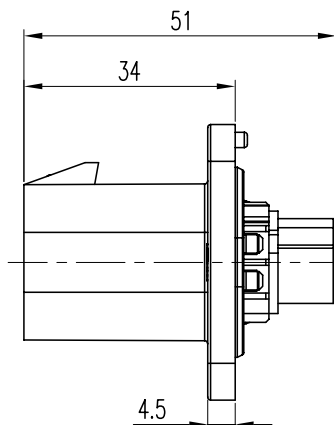
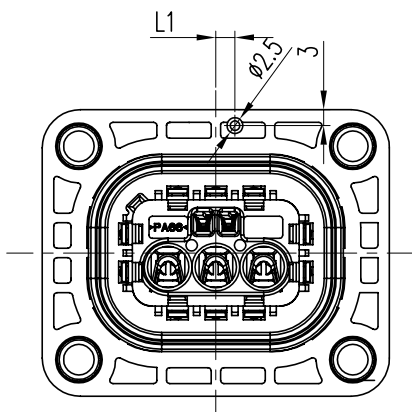
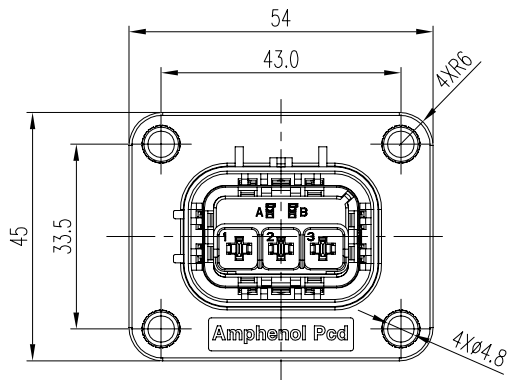
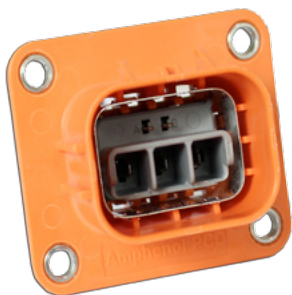
Multiple coding positions

CPA available

MECHANICAL	
Durability	≥ 50 mating cycles
Wire range	2.5 to 4 mm ² shielded wire
Insertion and extraction force	< 100N
Connection type	Crimping
Latching style	Two stage, finger actuated
HVIL	Integrated
CPA	Available
ELECTRICAL	
Rated voltage	800V DC
Rated current	23A Max @ ambient temperature 70°C
Insulator resistance	> 200MΩ
Dielectric withstand voltage	3000V AC
Shielding	360° from wire to device
ENVIRONMENTAL	
Sealing	IP67, IP6K9K (mated)
Touch-proof	IP2XB
Temperature range	-40°C to 125°C
MATERIAL	
Terminals	Copper/copper alloy with tin plating
Housing	PA66 + GF

Excel|Mate Eco (HVSL 280)

RECEPTACLE



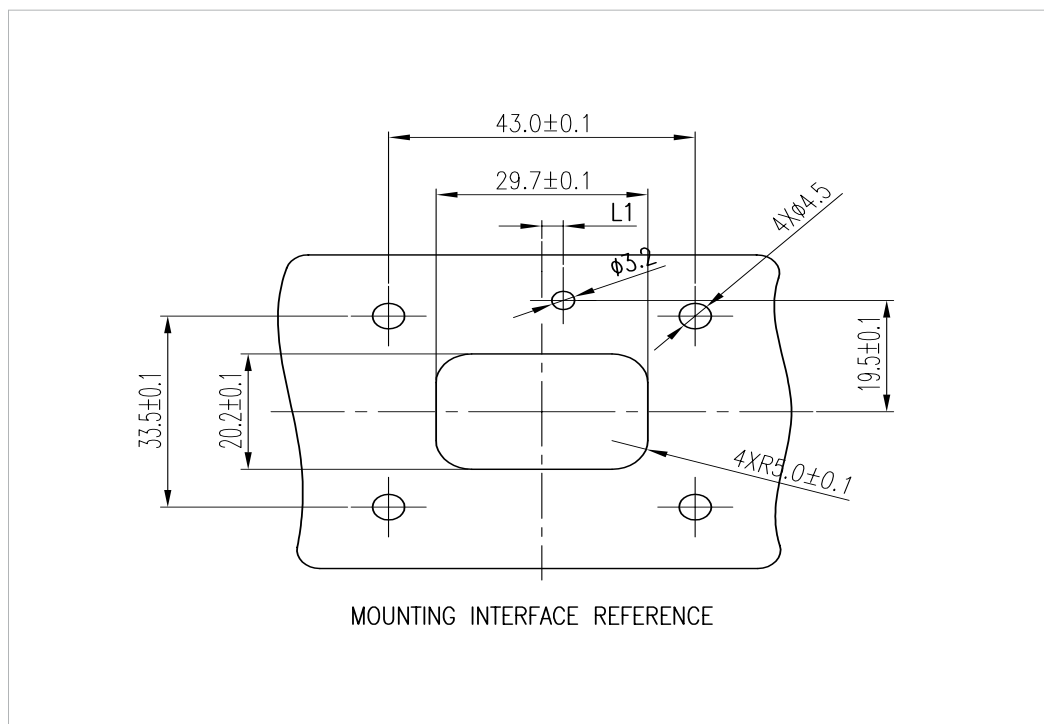
CONTACTS

All connectors do not include contacts. Please order them separately (ref: P/N below)

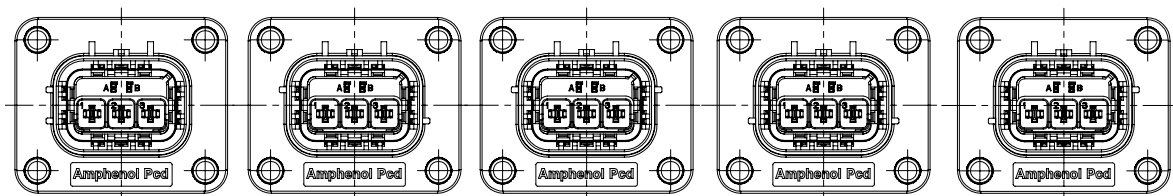
Main contacts: Crimping		HVIL contacts	
P/N: C310003611		P/N: C310003613	

PANEL MOUNTING DIMENSIONS

CODING	A	B	C	D	E
L1 (Receptacle)	0	3	6	-3	-6
L1 (Panel mount)	0	-3	-6	3	6



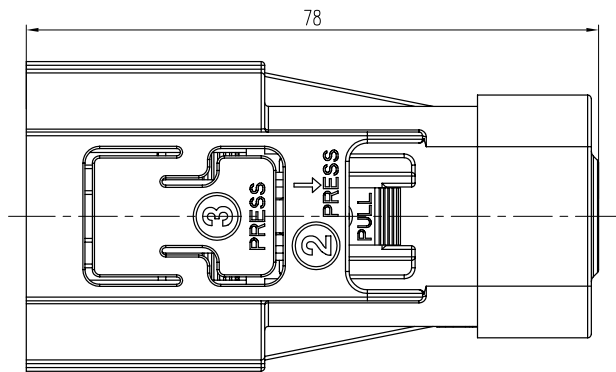
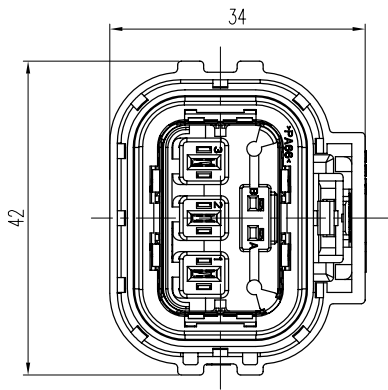
INSERT ORIENTATIONS



	Coding A	Coding B	Coding C	Coding D	Coding E
P/N	HVSL280 02 3 A	HVSL280 02 3 B	HVSL280 02 3 C	HVSL280 02 3 D	HVSL280 02 3 E

Excel|Mate Eco (HVSL 280)

PLUG



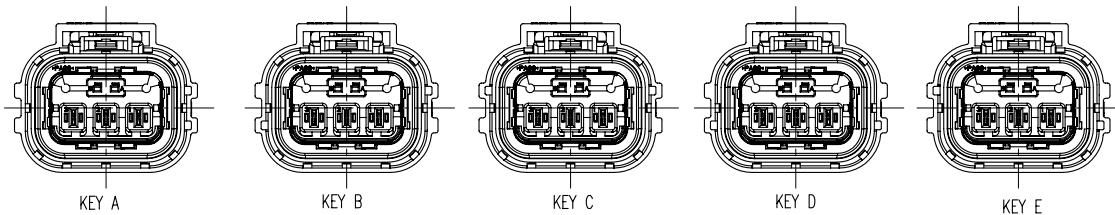
CONTACTS

All connectors do not include contacts. Please order them separately (ref: P/N below)

Contacts

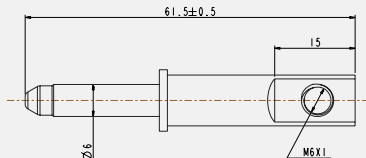
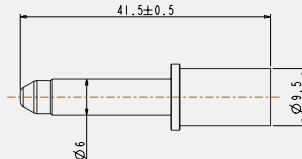
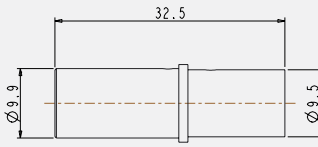
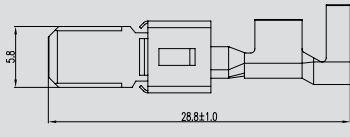
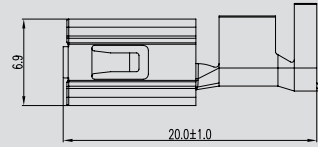
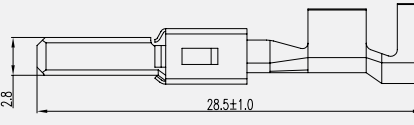
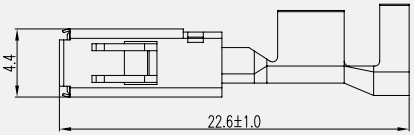
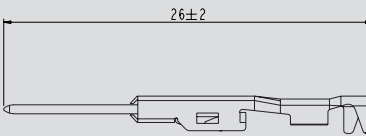
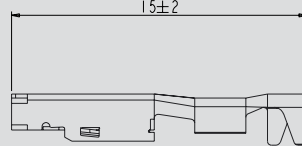
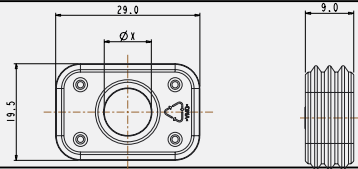
Main contacts	HVIL contacts	Φ12	Φ11	Φ10
P/N: C310003612	P/N: C310003614	P/N: C270003607	P/N: C2700036071	P/N: C2700036072

INSERT ORIENTATIONS



	Coding A	Coding B	Coding C	Coding D	Coding E
P/N	HVSL280 06 3 A	HVSL280 06 3 B	HVSL280 06 3 C	HVSL280 06 3 D	HVSL280 06 3 E

ATTACHMENT: CONTACT

Name	Contact P/N & Wire Size	Drawing
Pin contact End with bus-bar For HVSL600021XXH6	C420003625 25mm ² unshielded wire	
Pin contact Crimp for wire For HVSL600021XX25	C420003621 25mm ² unshielded wire	
Socket contact For HVSL600061XX25XX	C420003620 25mm ² shielded wire	
Pin contact For HVSL630022XX06	C310003622 4 to 6mm ² unshielded wire	
Socket contact For HVSL630062XX06XX	C310003623 4 to 6mm ² 2 pin shielded cable	
Pin contact For HVSL280023XX04	C310003611 2.5 to 4mm ² unshielded cable	
Socket contact For HVSL280063XX04XX	C310003612 2.5 to 4mm ² 3 pin shielded cable	
Pin signal contact For: HVSL600021XX25 HVSL630022XX06 HVSL280023XX04	C310003613 0.5mm ² unshielded wire	
Socket signal contact For: HVSL600061XX25XX HVSL630062XX06XX HVSL280063XX04XX	C310003614 0.5mm ² unshielded wire	
Sealing gasket For: HVSL600061XX25XX HVSL630062XX06XX HVSL280063XX04XX	C270003607 OD12mm wire C2700036071 OD11mm wire C2700036072 OD10mm wire	

Notes: All connectors do not include contacts. Please order them separately (ref: P/N above)

HOW TO ORDER: PLUG

		HVSL600	06	1	A	0	25	I
Product Series:		HVSL600 HVSL630 HVSL633 HVSL280 HVSL282 HVSL364						
Product type:		06: Straight plug						
Position:		1: 1 position 2: 2 positions 3: 3 positions 4: 4 positions						
Coding / Alternate position:		A: Coding A B: Coding B C: Coding C D: Coding D E: Coding E F: Coding F						
Interlock:		0: Without interlock 1: With interlock						
Cable size:		03: 2.5mm ² (For HVSL280 / 282 / 364) 04: 4mm ² (For HVSL280 / 282 / 633 / 630 / 364) 06: 6mm ² (For HVSL630 / 633 / 364) 25: 25mm ² (For HVSL600 / 630)						
Wire type:		I: Individually shielded wire M: Multicore shielded wire						

HOW TO ORDER: RECEPTACLE

		HVSL600	02	1	A	0	(H6)
Product Series:		HVSL600 HVSL630 HVSL633 HVSLC633 HVSL280 HVSL282 HVSLM282 HVSL364					
Product type:		02: Box mounted receptacle					
Position:		1: 1 position 2: 2 positions 3: 3 positions 4: 4 positions					
Coding / Alternate position:		A: Coding A B: Coding B C: Coding C D: Coding D E: Coding E F: Coding F					
Interlock (Not available for HVSL282):		0: Without interlock 1: With interlock					
		H6: OT terminal, stud hole is M6 (For HVSL600 receptacle)					

Amphenol PCD Shenzhen

Building 21
1st Liao Keng Industrial Zone
Shi Yan Street, Bao An District Shenzhen 518108
China

Tel.: +86 755-8173-8000
Fax: +86 755-8173-8180
Email: inquiry@amphenolpcd.com.cn

www.amphenolpcd.com.cn

Notes:

Amphenol PCD Shenzhen has made every effort to ensure that the information contained in this catalog is accurate at the time of publication. Specifications or information stated in this publication are subject to change without notice.

Amphenol PCD Shenzhen reserves the right to clarify this catalog.