

SPECIFICATIONS

Rated(额定参数): 300V,8A
 Dielectric strength(抗电强度): AC1500V/1 Minute
 Insulation Resistance(绝缘电阻):1000MΩ Min
 Contact Resistance(接触电阻):20mΩ Max
 Temp. range(操作温度): -40℃~+105℃
 MAX Soldering(瞬时温度):+250℃,5s

Housing Material(塑件): PA66 (UL94 V-0)
 Contact(端子): Brass, Tin plating(黄铜镀锡)

PITCH RANGE		NOMINAL DIMENSION RANGE					
IN MM	OVER	IN MM	OVER	OVER	OVER	OVER	OVER
TO 6	10	TO 10	30	60	100	100	OVER 150
TO 10	24	TO 30	60	100	100	150	
±0.10	±0.15	±0.25	±0.30	±0.30	±0.50	±0.70	±1.00

Ordering Information

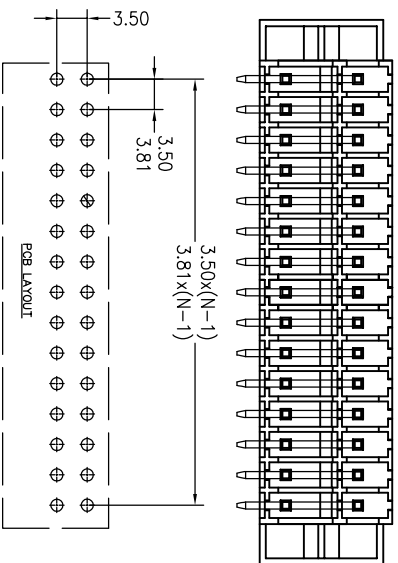
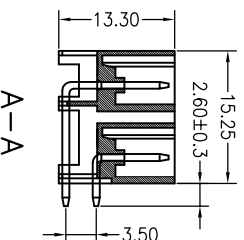
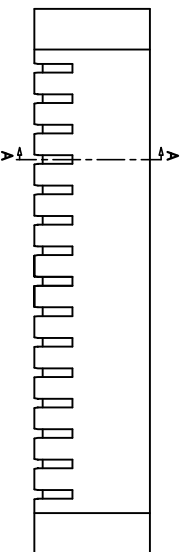
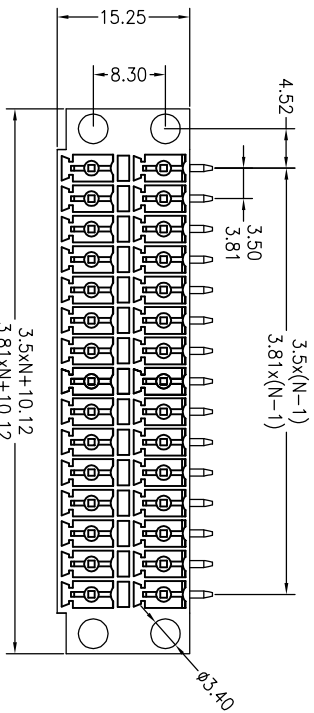
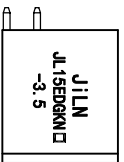
JL15EDGKNRM - XXX XX X X 1

Pitch
 350=3.5PH
 381=3.81PH

No.of pins
 2P~24P

Housing Color
 B=Black
 G=Green
 U=Blue
 R=Red
 W=White
 Y=Yellow
 O=Orange
 E=Grey

Packing
 O=Pe bog
 A=Troy
 T=Tube



REVISION RECORD				
REV	ECN	DESCRIPTION	DRFT	DATE
A0		NEW		21.06.28

DRAW	SHUANGPING ZHENG		SCALE	FIT	PART NO.	JL15EDGKNRM-XXXXXXXX1
	CHECK	LICHAO LIU	UNIT	mm		
APPROVE	YONGLIANG GAO		SHEET	1/1	TITLE:	JL15EDGKNRM-3.5(3.81)-2XN插拔式公座 弯脚 带耳/绿色

JILIN 东莞市锦凌电子有限公司
 DONGGUAN JILINING ELECTRONIC CO.,LTD