

NOTES1:

- UL Standard
- 1. Rated voltage/current : 300V / 8A
- 2. Withstanding voltage : AC1600V/1Min.
- 3. Wire range : 24~16AWG

IEC Standard

1. Pollution degree	2	2	3
Overvoltage category	II	III	III
Rate impulse voltage(KV)	2.5KV	2.5KV	2.5KV
Rate voltage(V)	320V	160V	160V
Rate current(A)	8A		

- 2. Wire range : 0.2~1.0mm², 1.5mm²(sol)

NOTES2:

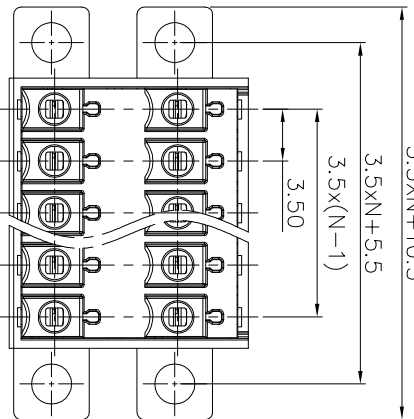
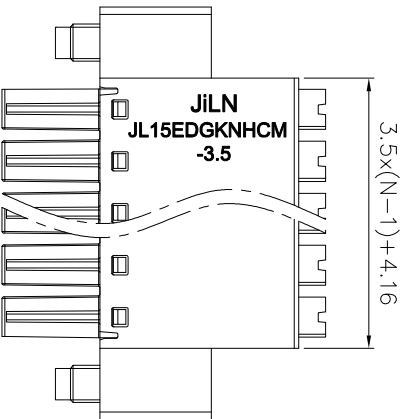
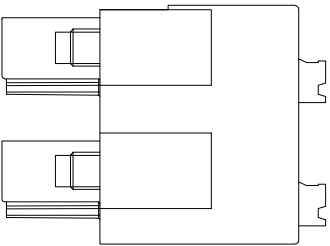
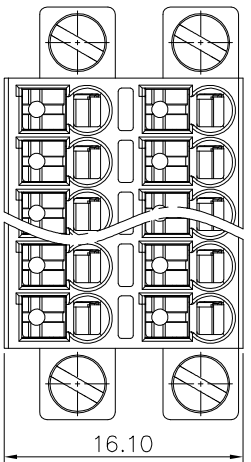
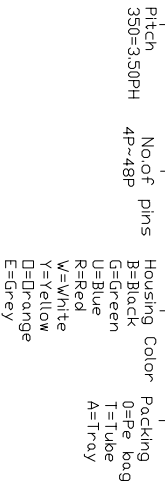
- 1. Dimension shall be interpreted per ASME Y14.5-2009
- 2. Pitch : 3.50mm, Poles : N=04~48P
- 3. Stripping length : 8~9mm
- 4. Operating temperature: -40°C~+105°C
- 5. Undimensioned tolerances:

Pitch range in mm	Nominal dimension			mm
	Over	In	Over	
6	10	30	60	0.1/10
TO	TO	TO	TO	
10	24	30	100	≤
TO	TO	60	150	
6	10	30	100	±2°
TO	TO	60	150	

6. RoHS Compliance

Ordering Information

JL15EDGKNHCM-350 XX G 0 1



REVISION RECORD				
REV	ECN	DESCRIPTION	DRFT	DATE
A0		NEW		21.06.08

DRAW	SHUANGPING ZHENG		SCALE	FIT	PART NO.	JL15EDGKNHCM-350XXG01
	UNIT	mm				
CHECK	LICHAD LIU		SIZE	A4	TITLE:	JL15EDGKNHCM-3.5-2XNP 插拔式母座绿色
	SHEET	1/1				
APPROVE	YONGLIANG GAO		PRD			

jiln 东莞市锦凌电子有限公司
DONGGUAN JINLING ELECTRONIC CO., LTD