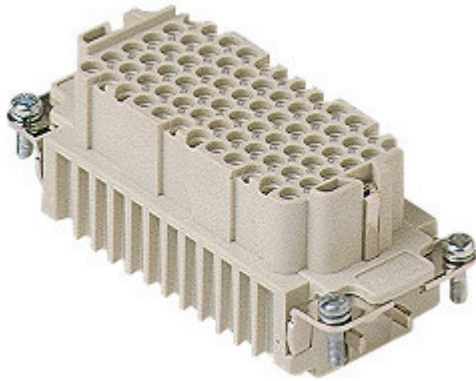




Item code

CDDF 72



Brief description:

female insert, 72 poles + PE, crimp connections, 10A 250V, 4kV, 2, size "77.27", CLASS insert series

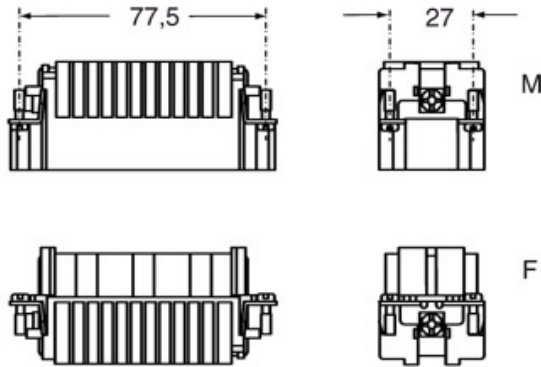
Product description		Approvals / Standards	
Model	female insert	Reference standard	EN 61984 (2001-11)
Version	crimp connections	Quality mark	 , EAC
Series	CDD	Conformity	CQC, CE
Product type	for female contacts 10A	General ordering information	
Family	CLASS inserts	EAN code	8015747013833
Size	size "77.27"	Tariff number	85369095
N° of poles	72 poles + 	Country of origin	Made in EU (IT)
Technical data		ETIM classification	EC000438
Current	10 A	Packaging Information	
Voltage	250 V	Packaging length	210,00 mm
Sustained impulse voltage	4kV	Packaging height	130,00 mm
Pollution degree	2	Packaging width	240,00 mm
Operating temperature range (min, max)	-50°C ... +70°C	Packaging weight	2,35 kg
Plugging cycles	≥ 200	Packaging volume	6,55 dm ³
IP degree of protection	IP20 without enclosure; IP65/IP66/IP67/IP68 with enclosure	Packaging description	Carton box
Connection type PE	Screw	Packaging quantity	30 Pcs
Stripping length PE connection	7 mm	Packaging EAN code	8015747013840
Wire cross section PE	0,14 - 4 mm ² ; AWG 20 - 12	Sub-packaging weight	0,39 kg
Tightening torque for PE connection (screwdriver)	M4: 1,2 Nm, 10,6 lb.in (Ph2 or 1,0x5,5mm)	Sub-packaging description	Carton
Other technical details		Sub-packaging quantity	5 Pcs
Characteristics according to EN61984	10A 250V 4kV 2	Sub-packaging EAN barcode	8015747013857
Insulation resistance	≥ 1 GΩ		
Contact resistance	≤ 3 mΩ		
Rated voltage according to UL/CSA	600V		
UL 94 flammability rating	V-0		
Tightening torque for fixing screws (screwdriver)	M3: 0.5 Nm; 4.4 lb.in (Ph1 or 0.8x4 mm)		
Weight	60,00 g		

Item code

CDDF 72



Catalogue drawings



Catalogue drawings

