

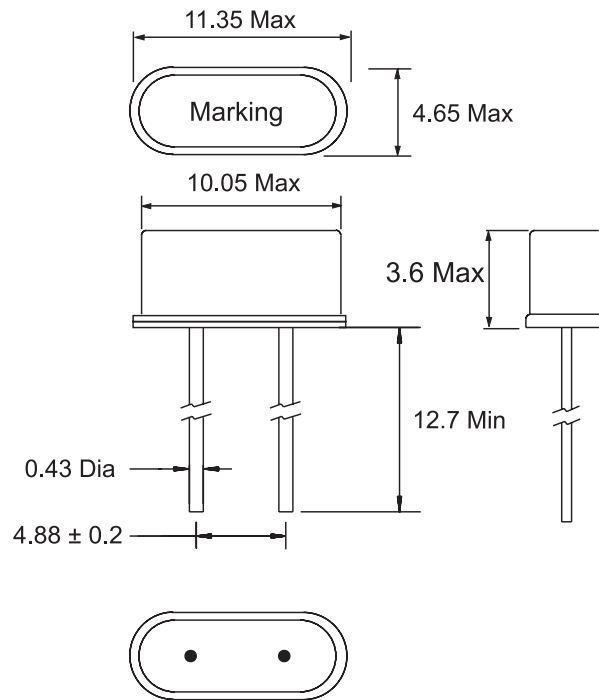
**RoHS Compliant  
Pb - Lead Free**

Ltr	Revisions	Date	Appr

**Electrical Specifications:**

Nominal Frequency	<b>4.000</b>	<b>MHz</b>
Mode of Oscillation	<b>Fundamental</b>	<b>-</b>
Frequency Tolerance at 25°C	<b>±30</b>	<b>PPM Max</b>
Frequency Stability over Temperature Range	<b>±50</b>	
Operating Temperature Range (Extended)	<b>-40 to +85</b>	<b>° C</b>
Storage Temperature Range	<b>-55 to +125</b>	
Aging per Year	<b>±3</b>	<b>PPM Max</b>
Load Capacitance	<b>18</b>	<b>pF</b>
Shunt Capacitance (Maximum)	<b>7</b>	
Equivalent Series Resistance (ESR)	<b>120</b>	<b>Ohms Max</b>
Drive Level	<b>100 Typ - 500 Max</b>	<b>uW</b>
Solder Reflow Characteristics	<b>+260 for 10 s Max</b>	<b>° C</b>

**Mechanical Specifications:**



11-3 Chien-Kuo Rd T.E.P.Z. 4027 Taiwan, ROC

All dimensions are millimeters.

CAD: TR

Review: SL

Appr: AL

Page: 1/1 | Date: Jan. 16, 2008

Specification Title:

**Quartz Crystal Unit  
HC-49/U-S - Through Hole  
Product Specification  
Farnell Order Code: 1538733**

Part Number: **CA-4.000-18-3050-X**