

NOTES:

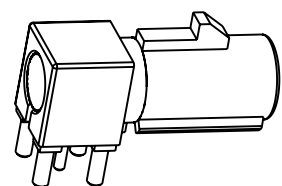
- MATERIALS AND FINISHES (PLATING THICKNESS IN MICRO-INCHES):
 BODY - ZINC DIECAST, NICKEL PLATING
 CONTACT - BRASS, GOLD PLATING
 COVER - BRASS, NICKEL PLATING
 LOCK COVER - NYLON 46, COLOR: SEE TABLE BELOW
 RING - BRASS, NICKEL PLATING
 INSULATORS - TEFLON, NATURAL
- ELECTRICAL:
 A. IMPEDANCE: 50 OHM (NOMINAL)
 B. FREQUENCY RANGE: DC - 6 GHz, (OPTIMIZED FOR DC-4GHz)
 C. VSWR(RETURN LOSS): 1.4 (-15.6 dB), MAX.(DC-2GHz)
 (MATED PAIR): 1.5 (-13.9 dB), MAX.(2-3GHz)
 D. D.W.V.: 800 VRMS, MIN.
- MECHANICAL:
 A. DURABILITY: 100 CYCLES MIN.
 B. TEMPERATURE RANGE: -40 °C TO 85 °C
- PACKAGING:
 A. MARKING: TRAY TO BE MARKED
 "AMPHENOL, FAI-NXRP-PCB-10 AND
 DATE CODE"
- HEATING STAGE: RECOMMEND SOLDERING
 TEMPERATURE 225° WITHIN 40 SECONDS.

THIRD ANGLE PROJ.

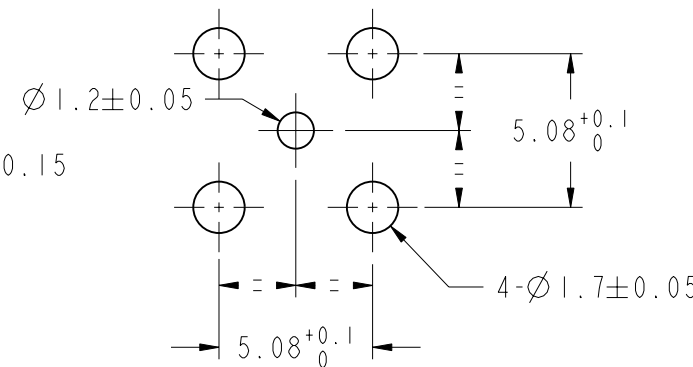
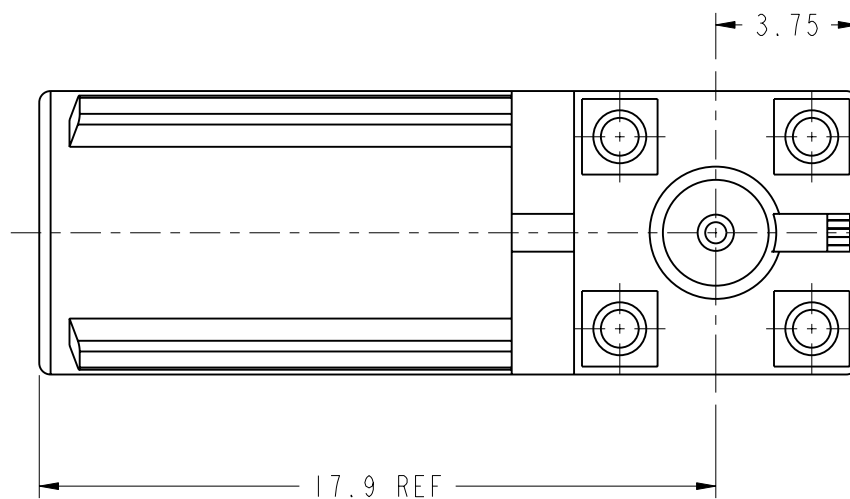
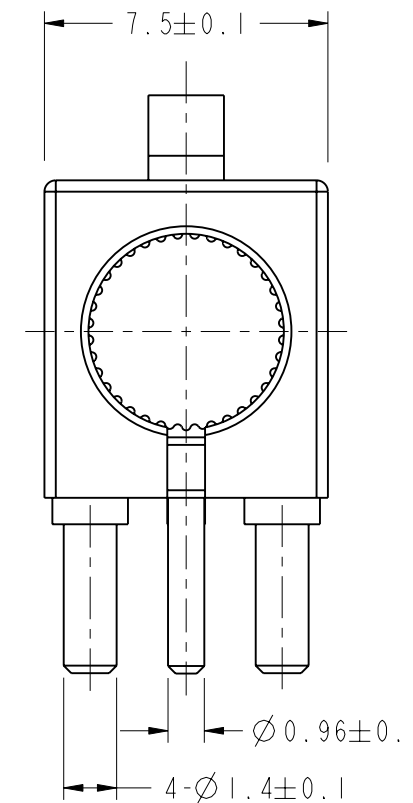
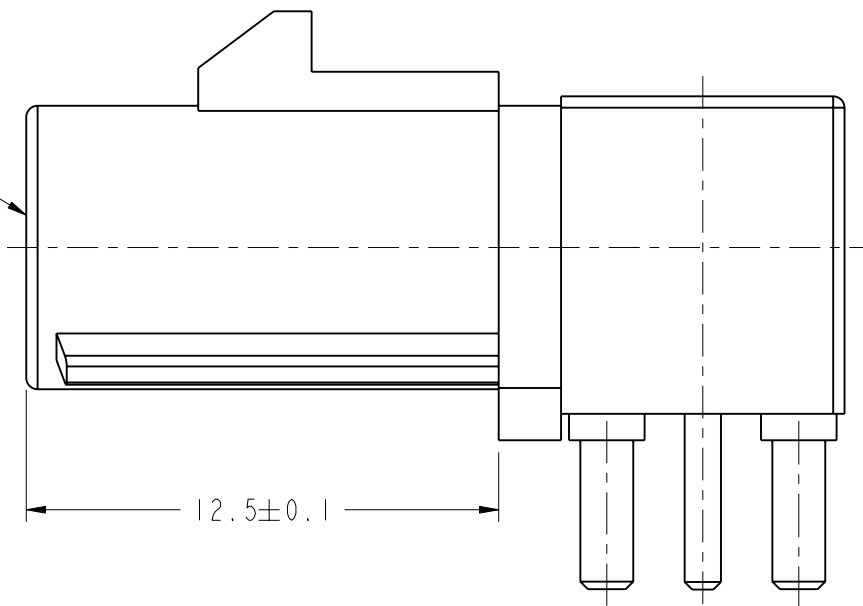
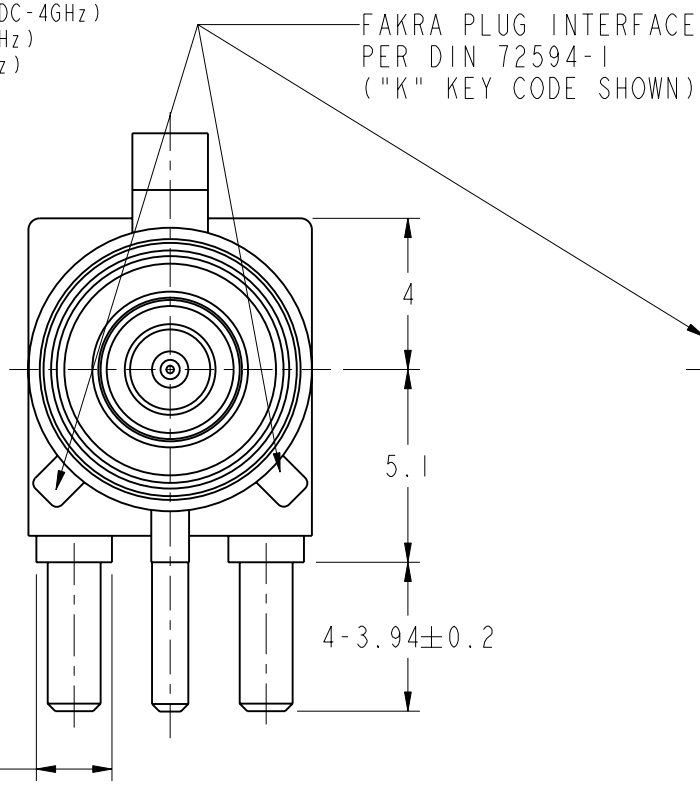
REVISIONS

REV	DESCRIPTION	DATE	ECO	APPR
D	REDRAWN TO UPDATE FORMAT	31-Oct-08	----	SCOTT
F	ADD 17.9 REF & $\square 2 \pm 0.1$ TYP(4); $\square 5.08 \pm 0.15$ WAS $+0.15/-0.05$ (2); $5.08 +0.1/-0.0$ WAS ± 0.05 ; ADD TOL TO 3.94, 12.05, $\phi 0.96$, $\phi 1.4$, 7.5; DEL $\phi 7.5$ & 10	3/12/10	48001	CPM
G	SEE SHEET 1 /RD-DMI605200IP/	29-Apr-16	00681	EW

CONFIGURATION CONTROL:
NO CHANGES PERMITTED TO DRAWING WITHOUT
PPAP QUALIFIED CUSTOMER APPROVAL



SCALE 1.500



TABLE

KEY CODING	DRAWING NO.	PART NO.	COLOR	RAL NO.
A	FK1252AW-005-NT30G-50	FAI-NARP-PCB-10	JET BLACK	9005
B	FK1252BW-005-NT30G-50	FAI-NBRP-PCB-10	CREAM	9001
C	FK1252CW-005-NT30G-50	FAI-NCRP-PCB-10	SIGNAL BLUE	5005
D	FK1252DW-005-NT30G-50	FAI-NDRP-PCB-10	CLARET VIOLET	4004
E	FK1252EW-005-NT30G-50	FAI-NERP-PCB-10	LEAF GREEN	6002
F	FK1252FW-005-NT30G-50	FAI-NFRP-PCB-10	NUT BROWN	8011
G	FK1252GW-005-NT30G-50	FAI-NGRP-PCB-10	BLUE GREY	7031
H	FK1252HW-005-NT30G-50	FAI-NHRP-PCB-10	HEATHER VIOLET	4003
I	FK1252IW-005-NT30G-50	FAI-NIRP-PCB-10	BEIGE	1001
K	FK1252KW-005-NT30G-50	FAI-NKRP-PCB-10	CURRY	1027
L	FK1252LW-005-NT30G-50	FAI-NLRP-PCB-10	CARMINE RED	3002
M	FK1252MW-005-NT30G-50	FAI-NMRP-PCB-10	PASTEL ORANGE	2003
N	FK1252NW-005-NT30G-50	FAI-NNRP-PCB-10	PASTEL GREEN	6019
Z	FK1252ZW-005-NT30G-50	FAI-NZRP-PCB-10	WATER BLUE	5021

CUSTOMER OUTLINE DRAWING

ALL OTHER SHEETS ARE FOR INTERNAL USE ONLY

UNLESS OTHERWISE SPECIFIED, DIMENSIONS ARE IN METRIC AND TOLERANCES ARE:
 <0.5mm ±0.05mm 0.5 - 6mm ±0.1mm 6 - 30mm ±0.2mm 30 - 120mm ±0.3mm ANGLES ±1°

NOTICE - These drawings, specifications, or other data (1) are, and remain the property of Amphenol corp. (2) must be returned upon request; and (3) are confidential and not to be disclosed to any person other than those to whom they are given by Amphenol Corp. the furnishing of these drawings, specifications, or other data by Amphenol Corp., or to any other person to anyone for any purpose is not to be regarded by implication or otherwise in any manner licensing, granting rights to permitting such holder or any other person to manufacture, use or sell any product, process or design, patented or otherwise, that may in any way be related to or disclosed by said drawings, specifications, or other data.

MATERIAL	DRAWN	DATE
	ROLF	29-Jan-08
	ENGINEER	DATE
	ANGELA	29-Jan-08
REFERENCE	APPROVED	DATE
EAR:3158.3 AND FALSE	S.HSIEH	01-Jun-16
CONFIGURATION LEVEL: In Work	CAD FILE	
FINISH		

TITLE	DWG SIZE	SHEET	REV
FAKRA SMB R/A	B	2 OF 2	G
PCB MOUNT PLUG			

TITLE	DWG SIZE	SHEET	REV
FAKRA SMB R/A	B	2 OF 2	G
PCB MOUNT PLUG			

Amphenol RF	
Danbury CT USA, Tainan, Taiwan, Shenzhen, China www.amphenolrf.com	
DRAWING NO.	FKI252XX-005-NT30G-50
ITEM NO.	FKI252AEX02NC5F
PART NO.	FAI-NXRP-PCB-10