

**2-conductor Ex e II terminal strip; with fixing flanges; for screw or similar mounting types; Fixing hole 3.2 mm Ø; suitable for Ex e II applications; 4-pole**

Item No.: 264-134



2-conductor Ex e II terminal strip; with fixing flanges; for screw or similar mounting types; Fixing hole 3.2 mm Ø; suitable for Ex e II applications; 4-pole

### Marking

RoHS ✓  
Compliant

### Business data

Supplier	WAGO
Item no.	264-134
EAN	4044918423076
Content	1
Order amount	100
Customer item number	

### Notes

### Technical data

#### Miscellaneous

No. of Poles	4
Total number of connection points	8
Total number of potentials	4
Color	light gray
Rated voltage EN (1) [V]	690 [V]
Nominal current [A]	23 [A]
Connection technology (1)	CAGE CLAMP®
Cross section from (1) [mm²]	0.5 [mm²]

Printview: 2-conductor Ex e II terminal strip; with fixing flanges; for screw or similar mounting types; Fixing hole 3.2 mm Ø; suitable for Ex e II applications; 4-pole - Item No.: 264-134

Technical data	
Cross section up to (1) [mm <sup>2</sup> ]	2.5 [mm <sup>2</sup> ]
Cross section from (1) [AWG]	20 [AWG]
Cross section up to (1) [AWG]	12 [AWG]
Stripped length from (1) [mm]	8 [mm]
Stripped length up to (1) [mm]	9 [mm]
Stripped length (1) [in]	0.33 [in]
Type of wiring	Front-entry wiring
Design	horizontal
Marking level	Center marking
Fire load [MJ]	0.351 [MJ]
Weight [g]	17.065 [g]
Width [mm]	40 [mm]
Width [in]	1.575 [in]
Height [mm]	22.1 [mm]
Height [in]	0.87 [in]
Length [mm]	32 [mm]
Length [in]	1.26 [in]

Approbation					
Item No.	Registration	Registration no.	Voltage [V]	Current [A]	Cross section [mm <sup>2</sup> , AWG]
264-134	AEX	E185892	600	20	28-12
264-134	ATEX	PTB 98 ATEX 3129 U	690	23	0.20-2.50
264-134	BV	07436/C0			0,08-2,5
264-134	CSA	18677-23	600	20	26-12
264-134	GOSENERGO-Ex	99.041	750	23	2,5
264-134	KR	HMB05880-EL002	800	24	
264-134	PRS	TE/1718/880590/0 8	800		2,5
264-134	PTB	IECEXPTB04.000 3U	690	23	2,5
264-134	PTB	PTB98Atex3129U	690	23	2,5
264-134	RosTest	8189158	690	23	2,5

Printview: 2-conductor Ex e II terminal strip; with fixing flanges; for screw or similar mounting types; Fixing hole 3.2 mm Ø; suitable for Ex e II applications; 4-pole - Item No.: 264-134

### Approbation

264-134	UL	E45172	300	20	28-12
---------	----	--------	-----	----	-------

### Accessories

#### Jumper

Item no.	Description	Pack. unit (Sub Pack)
264-402	Comb-style jumper bar; insulated; 2-way; reduces conductor size to 1.5 mm <sup>2</sup>	25
281-492	Alternate comb-style jumper bar; insulated; 2-way; IN = IN terminal block	25

#### End plate

Item no.	Description	Pack. unit (Sub Pack)
264-363	End plate; with fixing flange; 4 mm thick	25

#### Marking accessories

Item no.	Description	Pack. unit (Sub Pack)
2009-145	Mini-WSB Inline; plain; 1,700 Mini-WSB markers (5 mm) on roll; stretchable 5 - 5.2 mm	1
248-501	Miniature WSB quick marking system; plain; Marker width 5 mm; 10 strips with 10 markers per card	5
248-501/000-002	Miniature WSB quick marking system; plain; Marker width 5 mm; 10 strips with 10 markers per card	5
248-501/000-005	Miniature WSB quick marking system; plain; Marker width 5 mm; 10 strips with 10 markers per card	5
248-501/000-006	Miniature WSB quick marking system; plain; Marker width 5 mm; 10 strips with 10 markers per card	5
248-501/000-007	Miniature WSB quick marking system; plain; Marker width 5 mm; 10 strips with 10 markers per card	5
248-501/000-012	Miniature WSB quick marking system; plain; Marker width 5 mm; 10 strips with 10 markers per card	5
248-501/000-017	Miniature WSB quick marking system; plain; Marker width 5 mm; 10 strips with 10 markers per card	5
248-501/000-023	Miniature WSB quick marking system; plain; Marker width 5 mm; 10 strips with 10 markers per card	5
248-501/000-024	Miniature WSB quick marking system; plain; Marker width 5 mm; 10 strips with 10 markers per card	5

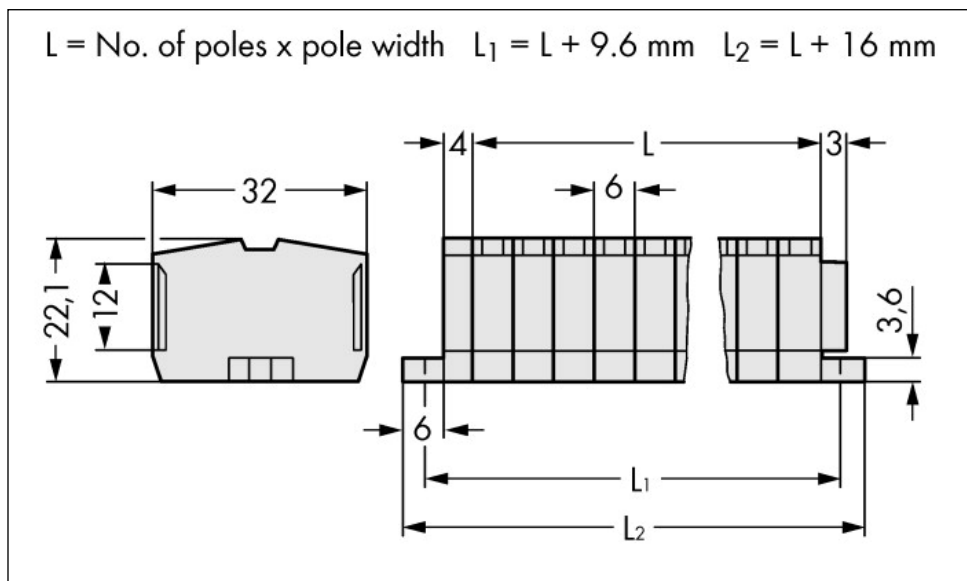
Printview: 2-conductor Ex e II terminal strip; with fixing flanges; for screw or similar mounting types; Fixing hole 3.2 mm Ø; suitable for Ex e II applications; 4-pole - Item No.: 264-134

## Accessories

### General accessory

Item no.	Description	Pack. unit (Sub Pack)
209-196	Spare fixing/retaining screw; for cover	25
210-291	Stickers for operating instructions; for front-entry, miniature rail-mounted terminal blocks; 264 Series	100
210-549	Spare knurled nut; for cover	25
210-657	Operating tool with partially insulated shaft; blade (3.5 x 0.5) mm; short; suitable for 260, 261, 262, 264, 270, 280, 281, 869, 870 and 880 Series	1
210-658	Operating tool with partially insulated shaft; blade (3.5 x 0.5) mm; short; angled; particularly suitable for 280 Series actuator and sensor terminal blocks and also for Series 260, 261, 262, 264, 280, 281, 869, 870, 880, 2002,	1
210-720	Operating tool with partially insulated shaft; Type 2, blade (3.5 x 0.5) mm; suitable for 260, 261, 262, 264, 270, 280, 281, 290, 775, 776, 777, 769, 780, 781, 869, 870, 880, 2002, 2003, 2004, 2005 and 2022 Series	1
280-432	Operating tool; of insulating material; 2-way	1
709-153	Cover; type 1; suitable for cover carrier, type 1; 1 m long	10

Images & drawings



**Address**

WAGO Kontakttechnik GmbH & Co. KG

Hansastr. 27

32423 Minden

Telefon: 0571/887-0

Fax: 0571/887-169

<http://www.wago.com>

© WAGO Kontakttechnik GmbH & Co. KG

Technische Änderungen und Irrtümer vorbehalten.