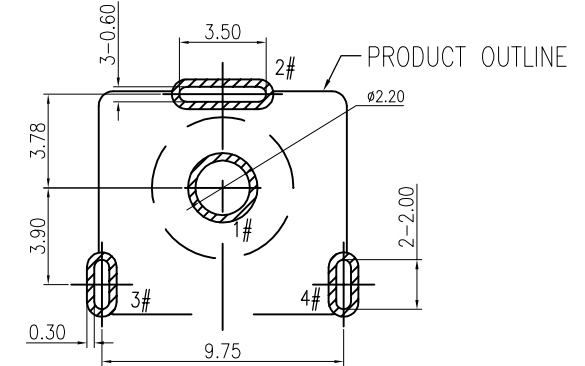
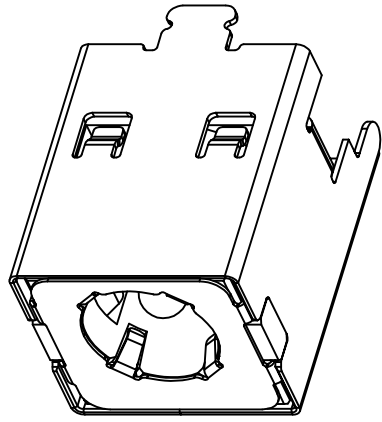
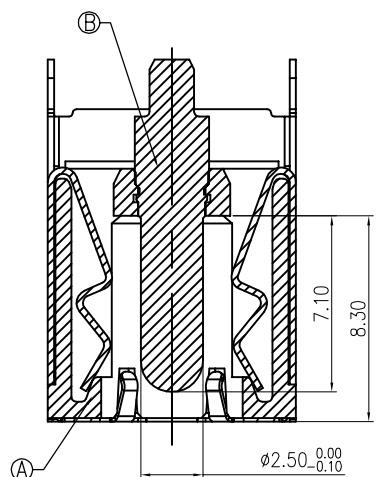
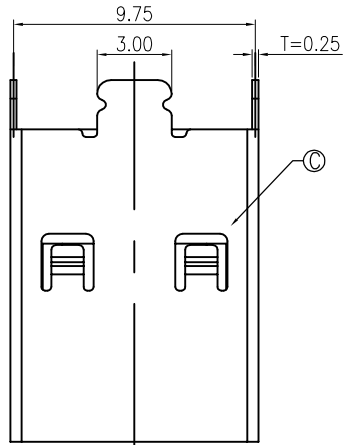
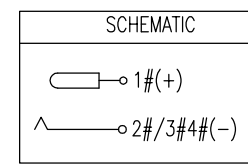
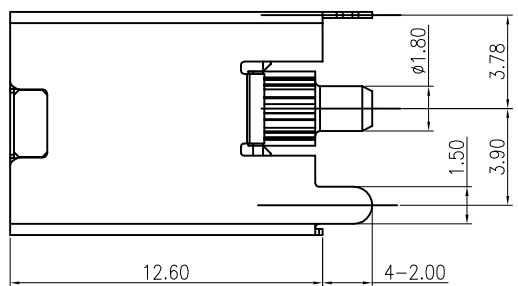
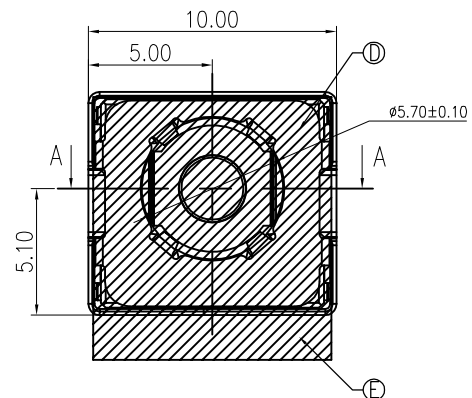


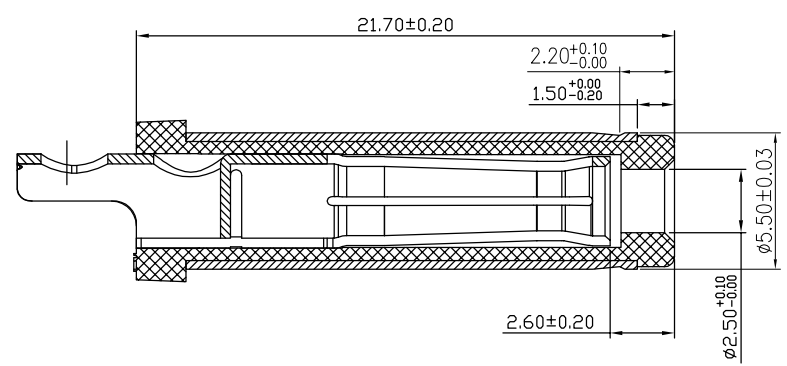
修 订	标 记	修 改 描 述	签 名	日 期
REV	MARK	REVISION DESCRIPTION	SIGNATURE	DATE
AO		NEW DWG		2016-03-12



RECOMMENDED PCB LAYOUT
TOP VIEW TOLERANCE: ± 0.05



- SPECIFICATION:
- RATING: DC 20V 20A
 - CONTACT RESISTANCE:
 - 30m Ω MAX.(INITIAL)
 - 50m Ω MAX.(FINAL)
 - INSULATION RESISTANCE: 100 M Ω MIN.
 - WITHSTAND VOLTAGE: 500 VAC
 - INSERTION FORCE: 3N~30N
 - EXTRACTION FORCE: 3N~30N
 - DURABILITY: 5,000 CYCLES



MATING PLUG
DP550250-0188-6H

NO.	DESCRIPTION	MATERIAL	REMARKS	QTY
E	MYLAR			1
D	GROUND	SUS 304		1
C	SHELL	COPPER ALLOY	Ni 40u"MIN.	1
B	CENTER PIN	BRASS	GOLD FLASH/Ni 40u" MIN.	1
A	HOUSING	HIGH TEMP.THERMOPLASTIC	BLACK	1

HDGC 深圳市华德共创科技有限公司
Shenzhen Huade co-create Technology Co.,LTD
电话: 0755-23304126 传真: 0755-29940187

-TOLERANCES- UNLESS OTHERWISE SPECIFIED 公差参数表		TITLE: DC Power Jack 5525 大电流20A, 直 产品名称: 立式, 高可靠 H=12.6	
X.X	± 0.30	X.X*	$\pm 3^\circ$
X.XX	± 0.20	X.XX*	$\pm 2^\circ$
X.XXX	± 0.10	X.XXX*	$\pm 1^\circ$

APPD:	核 准:	PART NO:	产 品 编 号:
		DC550250-1075-2H	
CHECK:	校 对:	DATE	SCALE
	王建业		
DRAW:	绘 图:	2016-03-12	1:1
	黄艳兰		
UNIT	CODE NUMBER	mm	A001