

Sensor/actuator box - SACB-4/ 4-L- 5,0PUR M5 - 1530702

Please be informed that the data shown in this PDF Document is generated from our Online Catalog. Please find the complete data in the user's documentation. Our General Terms of Use for Downloads are valid (<http://phoenixcontact.com/download>)




Sensor/actuator box, application: Standard, connection method: M5 socket Metal, number of slots: 4, number of positions: 4, slot assignment: Double, status display: yes, pnp; master cable connection: Fixed connection 180°, PUR/PVC, cable length: 5 m, shielding: no

Your advantages

- ✓ Safety in the field, thanks to molded housing and high degree of protection
- ✓ Flexible, distributed bundling of signals in one master cable
- ✓ Convenient: increased machine availability thanks to quick and easy diagnostics
- ✓ Save space: distributor box with double occupancy for two sensors in one slot

Key Commercial Data

Packing unit	1 pc
GTIN	 4 017918 993467
GTIN	4017918993467
Weight per Piece (excluding packing)	386.800 g
Custom tariff number	85444290
Country of origin	Germany

Technical data

General

Rated voltage	24 V DC
Max. operating voltage U_{max}	30 V DC
Current carrying capacity per I/O signal	1 A
Current carrying capacity per slot	1 A
Total rated current	3 A
Number of positions	4

Sensor/actuator box - SACB-4/ 4-L- 5,0PUR M5 - 1530702

Technical data

General

Number of slots	4
Flammability rating according to UL 94	V0
Sensor/actuator connection system	M5 socket

Ambient conditions

Degree of protection	IP67
Ambient temperature (operation)	-25 °C ... 80 °C
	-30 °C ... 70 °C (cable, fixed installation)
	-5 °C ... 70 °C (cable, flexible installation)

Local diagnostics function

Local diagnostics	Supply voltage Green LED
	Status display I/O Yellow LED

Master cable data/connection data

Connection method	Fixed connection
Length of cable	5 m
Cable type	Master cable suitable for flexible cable conduit
Signal line cross section	16x 0.25 mm ²
Power supply cross section	2x 0.5 mm ²
External diameter	8 mm
Max. bending cycles	1000000

Insulation material

Housing material	PA-GF
Contact material	CuZn
Contact surface material	Ni/Au
Contact carrier material	PA
Material of threaded sleeve	Cu alloy
Material of threaded sleeve surface	Nickel-plated

Pin assignment

Slot/position = Wire color or connection	1 / 4 (A) = WH
	1 / 2 (B) = GY/PK
	2 / 4 (A) = GN
	2 / 2 (B) = RD/BU
	3 / 4 (A) = YE
	3 / 2 (B) = WH/GN
	4 / 4 (A) = GY
	4 / 2 (B) = BN/GN

Sensor/actuator box - SACB-4/ 4-L- 5,0PUR M5 - 1530702

Technical data

Pin assignment

	1-4 / 1 (+ 24 V) = BN
	1-4 / 3 (0 V) = BU

Standards and Regulations

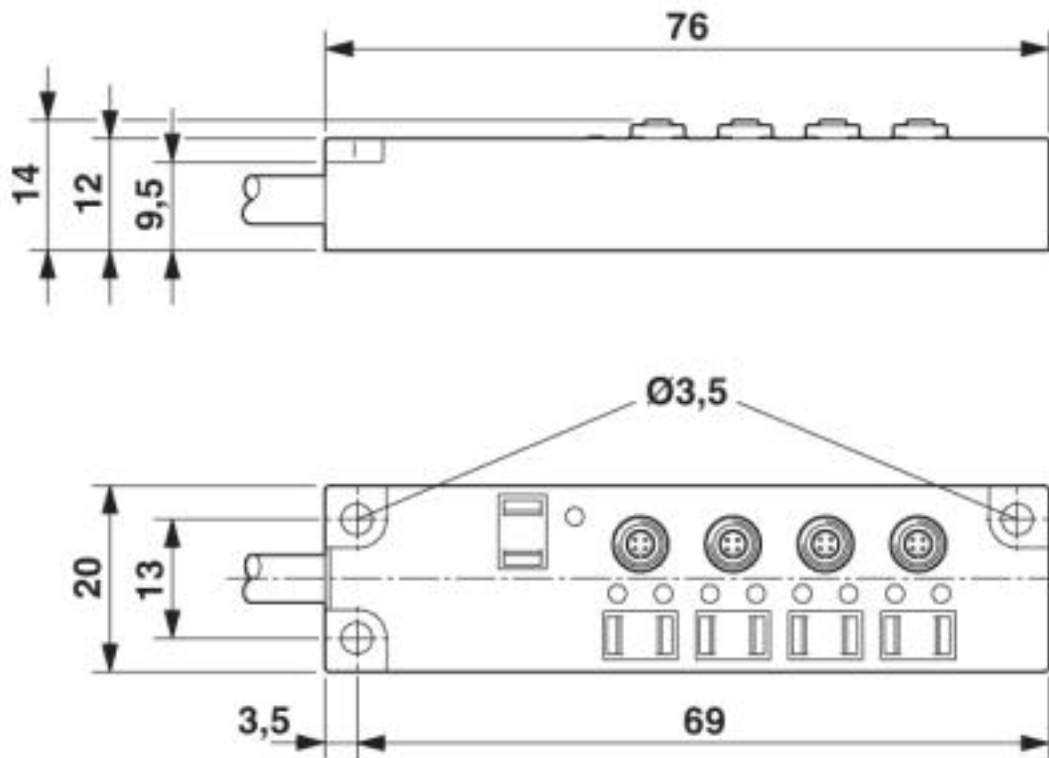
Standard designation	M5 connector
Standards/regulations	IEC 61076-2-105
Flammability rating according to UL 94	V0

Environmental Product Compliance

	Lead 7439-92-1
China RoHS	Environmentally Friendly Use Period = 50
	For details about hazardous substances go to tab "Downloads", Category "Manufacturer's declaration"

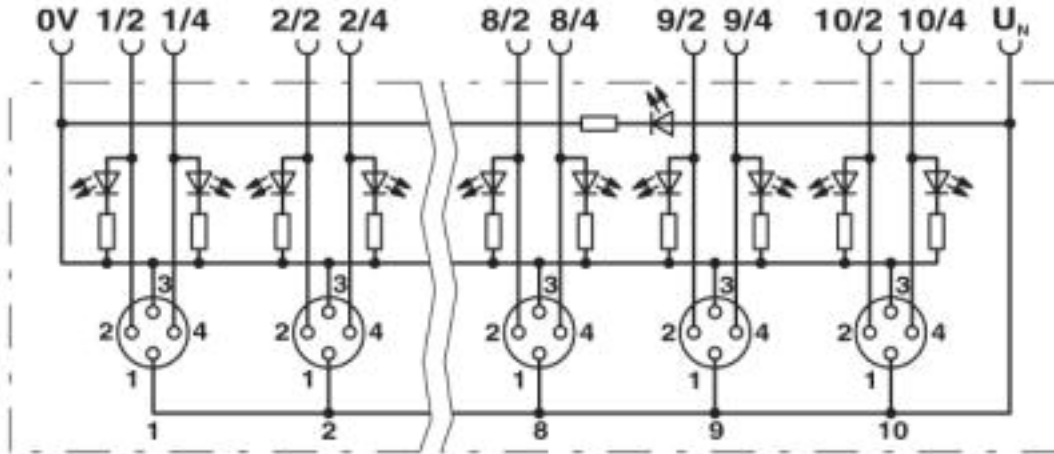
Drawings

Dimensional drawing



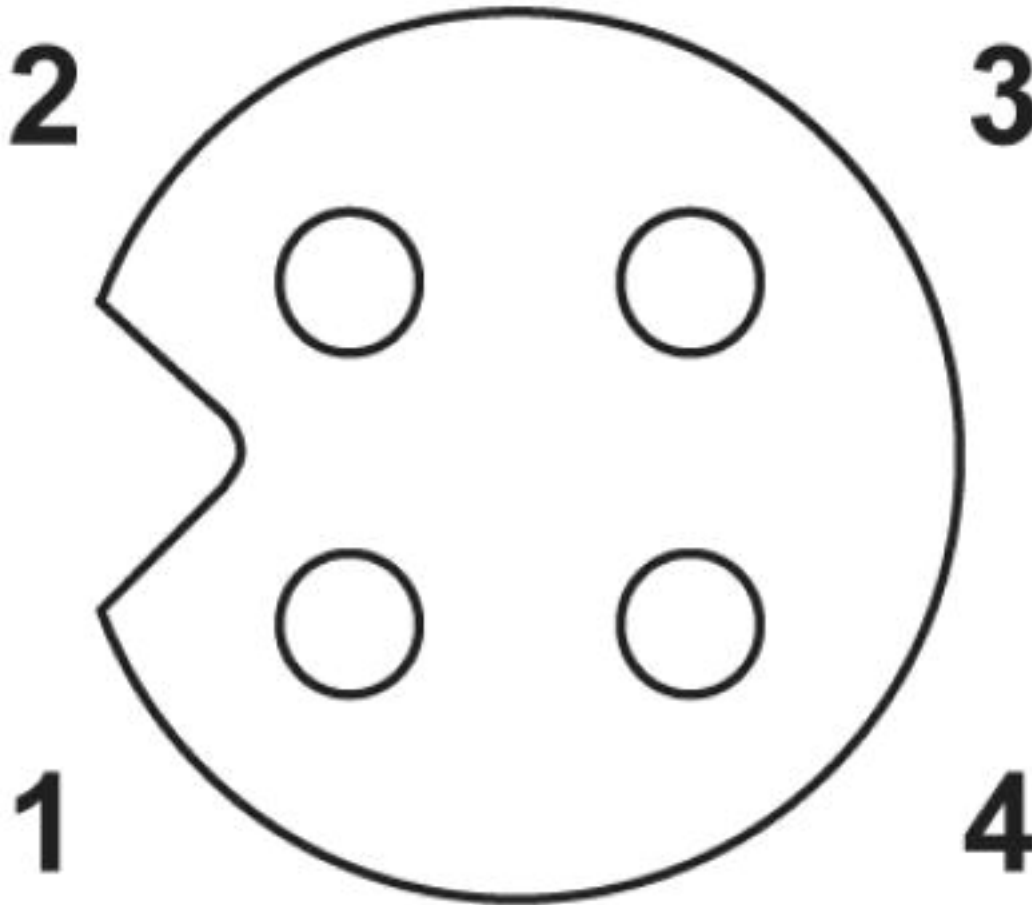
Sensor/actuator box - SACB-4/ 4-L- 5,0PUR M5 - 1530702

Circuit diagram



Sensor/actuator box - SACB-4/ 4-L- 5,0PUR M5 - 1530702

Schematic diagram



M5 slot, socket, 4-pos.

Classifications

eCl@ss

eCl@ss 4.0	27140800
eCl@ss 4.1	27140800
eCl@ss 5.0	27143400
eCl@ss 5.1	27250300
eCl@ss 6.0	27279200
eCl@ss 7.0	27279219
eCl@ss 8.0	27279219
eCl@ss 9.0	27440108

Sensor/actuator box - SACB-4/ 4-L- 5,0PUR M5 - 1530702

Classifications

ETIM

ETIM 2.0	EC000200
ETIM 3.0	EC001856
ETIM 4.0	EC002585
ETIM 5.0	EC002585
ETIM 6.0	EC002585
ETIM 7.0	EC002585

UNSPSC

UNSPSC 6.01	31261501
UNSPSC 7.0901	31261501
UNSPSC 11	31261501
UNSPSC 12.01	31261501
UNSPSC 13.2	31251501