

Cute Cute-3 series



Ordering number C10754
Description C10754_Cute-3-SS-XM

Family	Cute	FWHM	19 degrees
Type	Lens	Efficiency	-
LED	XM-L	cd/lm	-
Color	Transparent	Gerber File	Available
Diameter	35 mm		
Height	15 mm		
Style	Round		
Optic Material	PMMA		
Holder Material	-		
Fastening	Glue, pin		
Status	Ready		



Ordering number C10755
Description C10755_Cute-3-M-XM

Family	Cute	FWHM	25 degrees
Type	Lens	Efficiency	-
LED	XM-L	cd/lm	-
Color	Transparent	Gerber File	Available
Diameter	35 mm		
Height	15 mm		
Style	Round		
Optic Material	PMMA		
Holder Material	-		
Fastening	Glue, pin		
Status	Ready		



Ordering number C10756
Description C10756_Cute-3-W-XM

Family	Cute	FWHM	0 degrees
Type	Lens	Efficiency	-
LED	XM-L	cd/lm	-
Color	Transparent	Gerber File	Available
Diameter	35 mm		
Height	15 mm		
Style	Round		
Optic Material	PMMA		
Holder Material	-		
Fastening	Glue, pin		
Status	Ready		



Ordering number C11333
Description C11333_Cute-3-SS-XM

Family	Cute	FWHM	19 degrees
Type	Lens	Efficiency	-
LED	XM-L	cd/lm	-
Color	Transparent	Gerber File	Available
Diameter	35 mm		
Height	15 mm		
Style	Round		
Optic Material	PMMA		
Holder Material	-		
Fastening	Glue, pin		
Status	Ready		



Cute Cute-3 series



Ordering number C11334
Description C11334_Cute-3-M-XM

Family	Cute	FWHM	25 degrees
Type	Lens	Efficiency	-
LED	XM-L	cd/lm	-
Color	Transparent	Gerber File	Available
Diameter	35 mm		
Height	15 mm		
Style	Round		
Optic Material	PMMA		
Holder Material	-		
Fastening	Glue, pin		
Status	Ready		

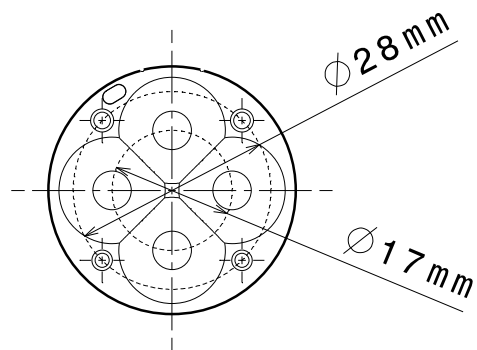
D

C

B

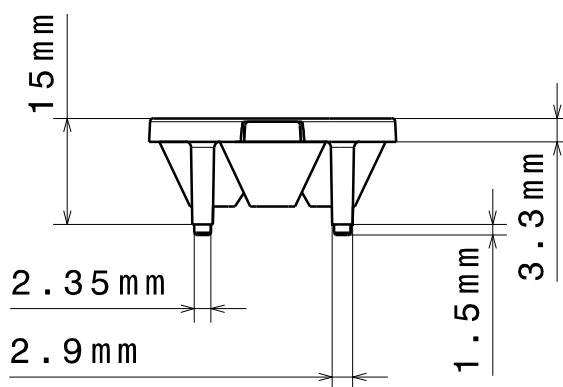
A

4



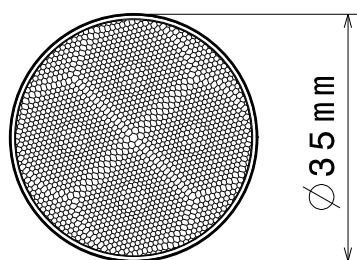
4

3



3

2



2

Material: PMMA

This drawing is our property.
It can't be reproduced
or communicated without
our written agreement.

Ledil Oy
Tehdaskatu 13
FIN-24100 SALO
Finland

DRAWING TITLE

Cute-4-CSS

DRAWN BY
RMDATE
05.12.2007CHECKED BY
HHDATE
05.12.2007SIZE
A4

DRAWING NUMBER

10446

REV
0.1DESIGNED BY
HHDATE
05.12.2007

SCALE

1:1

WEIGHT (g)

SHEET

1/1

1

1

D

A

D

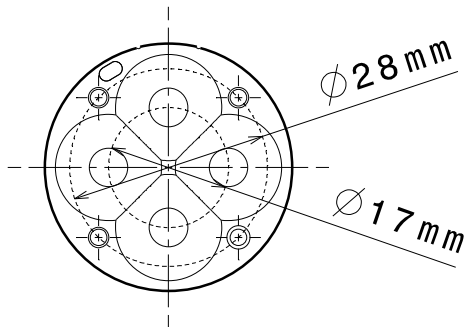
C

B

A

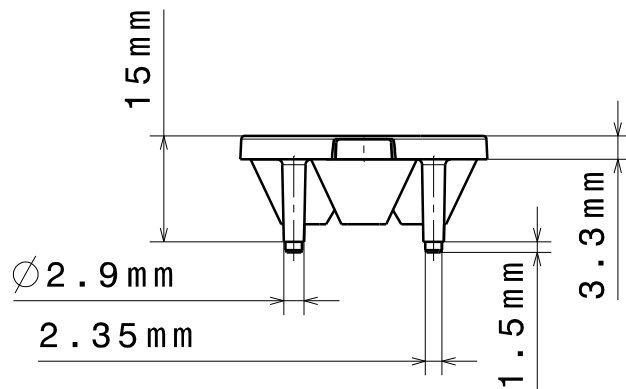
4

4



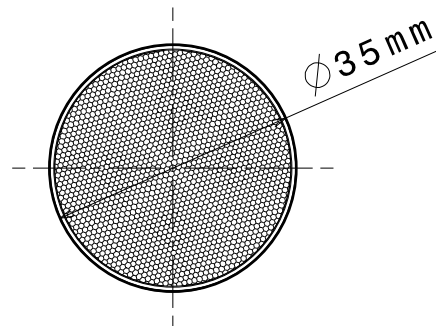
3

3



2

2



Material: PMMA

This drawing is our property.
It can't be reproduced
or communicated without
our written agreement.

LEDIL

Ledil Oy
Tehdaskatu 13
FIN-24100 SALO
Finland

DRAWING TITLE

Cute-4-CM

DRAWN BY
RM

DATE
07.12.2007

CHECKED BY
HH

DATE
07.12.2007

SIZE
A4

DRAWING NUMBER
10447

REV
0.1

DESIGNED BY
HH

DATE
07.12.2007

SCALE 1:1 WEIGHT (g)

SHEET 1/1

1

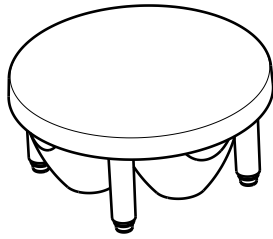
1

D

A

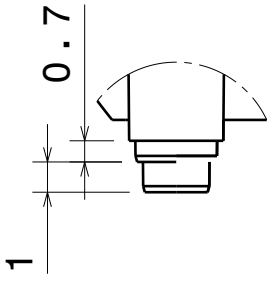
D C B A

4

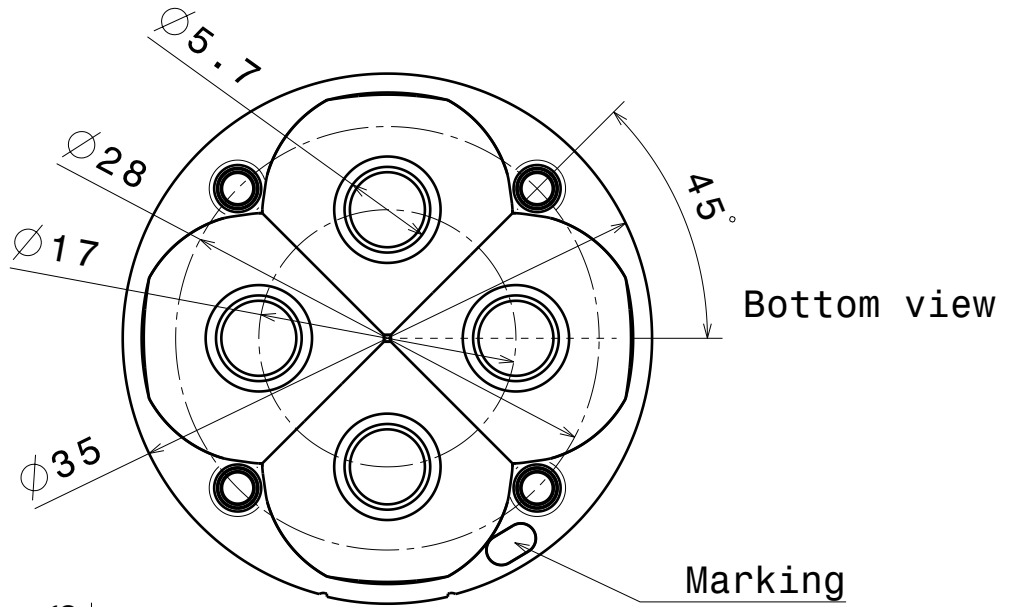


Isometric view
Scale: 1:1

3



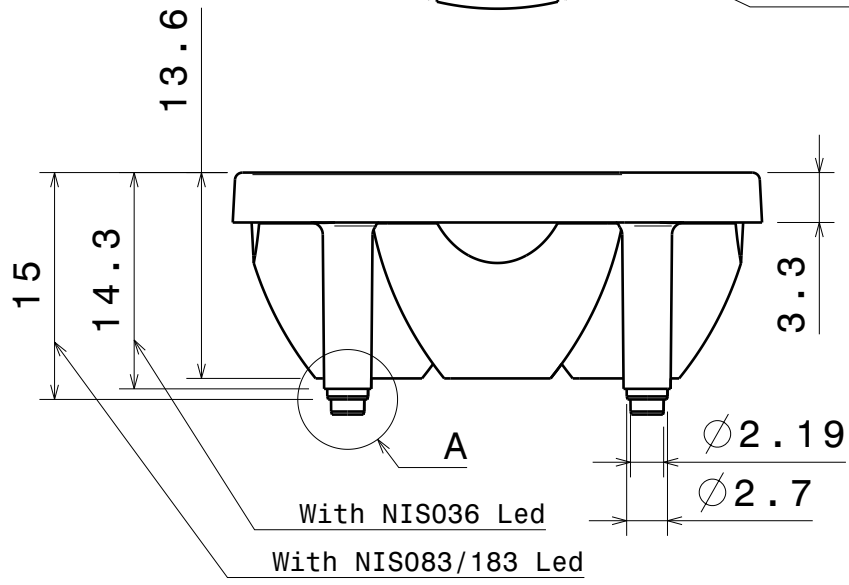
Detail A
Scale: 4:1



Bottom view

Marking

2



Front view

Material: PMMA

With NIS036 Led
With NIS083/183 Led

Tolerances:
Dimensions less < 20mm ± 0.1 mm
Dimensions between (21-45)mm ± 0.2 mm

1

This drawing is our property.
It can't be reproduced
or communicated without
our written agreement.



DRAWING TITLE
Datasheet Cute-4-NIS-M lens

DRAWN BY
p

DATE
21.01.2009

CHECKED BY
t k

DATE
14.12.2008

SIZE
A4

DRAWING NUMBER
10812

REV
0.1

DESIGNED BY
HH

DATE
14.12.2008

SCALE
2:1

WEIGHT (g)

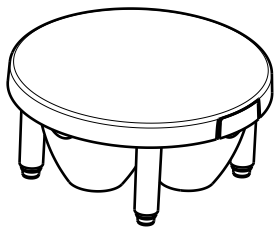
SHEET
1/1

D A

D C B A

4

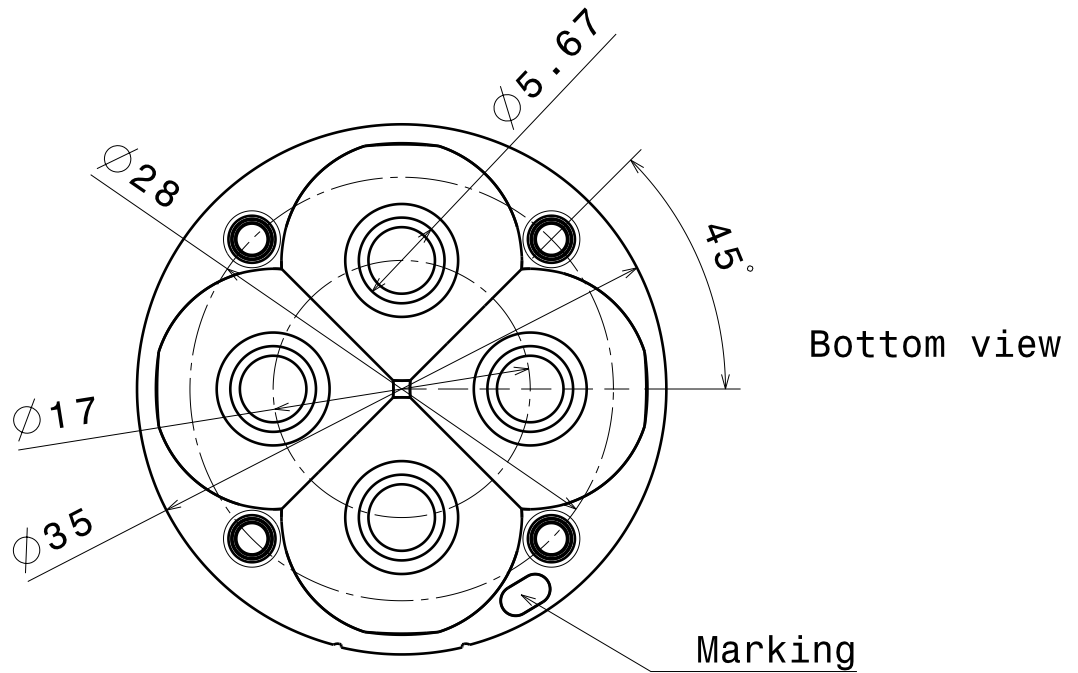
4



Isometric view
Scale: 1:1

3

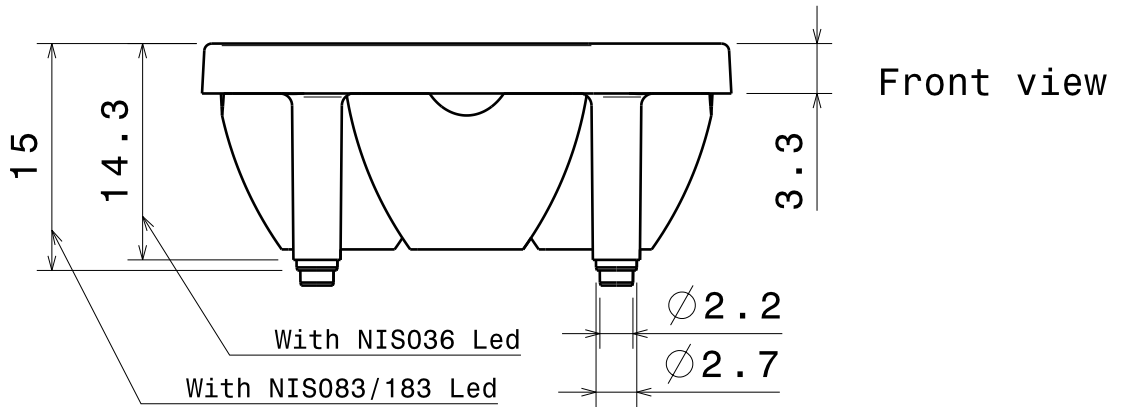
3



Bottom view

2

2



Front view

Material: PMMA

This drawing is our property.
It can't be reproduced
or communicated without
our written agreement.



Ledil Oy
Tehdaskatu 13
FIN-24100 SALO
Finland

DRAWING TITLE

Datasheet Cute-4-NIS-W lens

DRAWN BY
pv
DATE
22.01.2009

CHECKED BY
tk
DATE
14.12.2008

DESIGNED BY
HH
DATE
14.12.2008

SIZE A4 DRAWING NUMBER 10813 REV 0.1

SCALE 2:1 WEIGHT (g) SHEET 1/1

1

1

D A

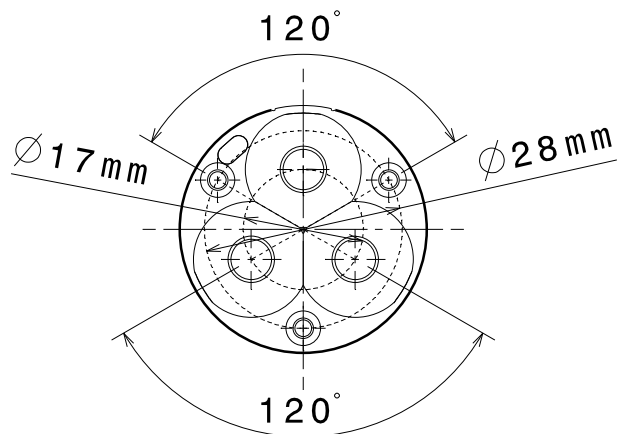
D

C

B

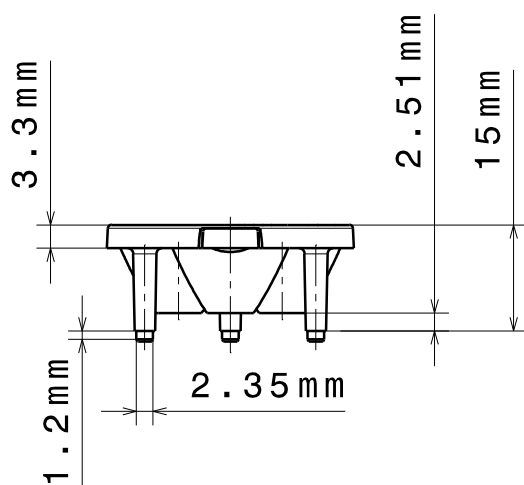
A

4



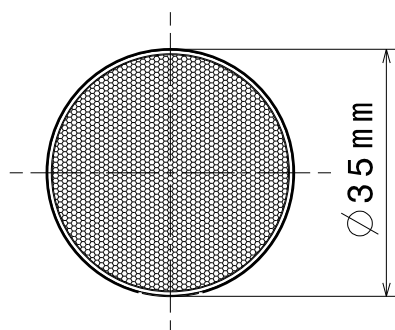
4

3



3

2



2

Material: PMMA

This drawing is our property.
It can't be reproduced
or communicated without
our written agreement.

Ledil Oy
Tehdaskatu 13
FIN-24100 SALO
Finland

DRAWING TITLE

Cute-3-CM

DRAWN BY
RMDATE
31.10.2007CHECKED BY
HHDATE
31.10.2007SIZE
A4DRAWING NUMBER
10427REV
0.1DESIGNED BY
HHDATE
31.10.2007

SCALE 1:1 WEIGHT (g)

SHEET 1/1

1

1

D

A

D

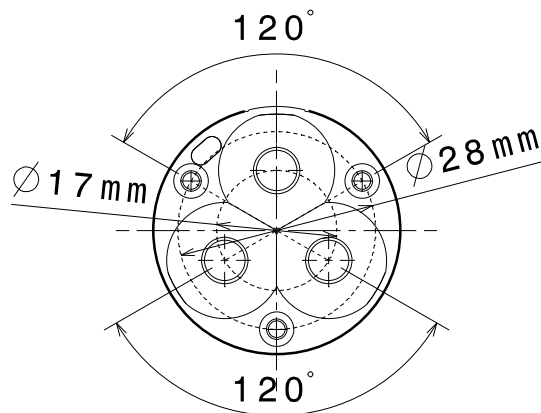
C

B

A

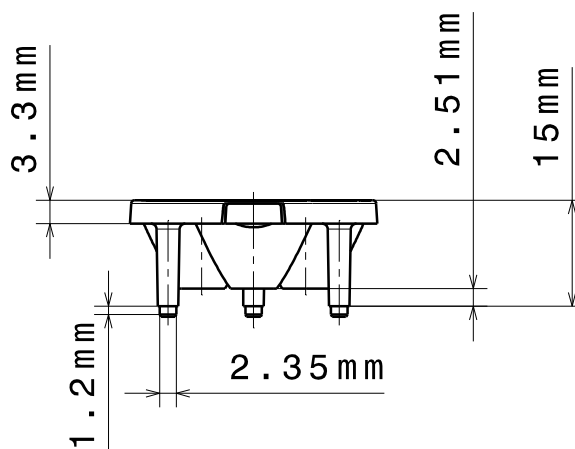
4

4



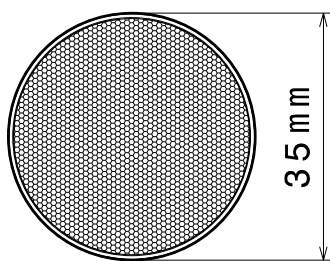
3

3



2

2



Material: PMMA

This drawing is our property.
It can't be reproduced
or communicated without
our written agreement.

Ledil Oy
Tehdaskatu 13
FIN-24100 SALO
Finland

DRAWING TITLE

Cute-3-CSS

DRAWN BY

RM

DATE

30.10.2007

CHECKED BY

HH

DATE

30.10.2007

SIZE

A4

DRAWING NUMBER

10428

REV

0.1

DESIGNED BY

HH

DATE

30.10.2007

SCALE

1:1

WEIGHT (g)

SHEET

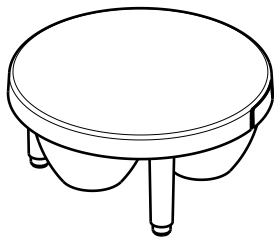
1/1

1

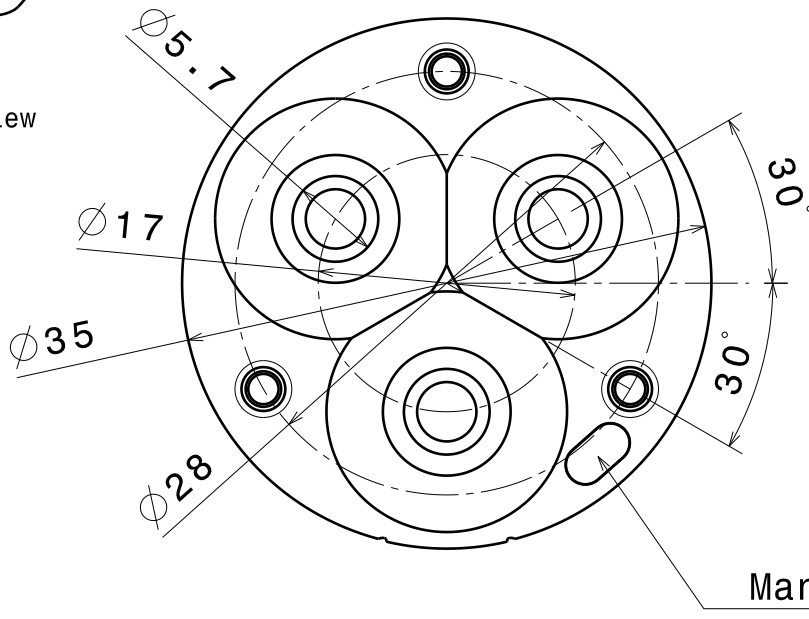
1

D

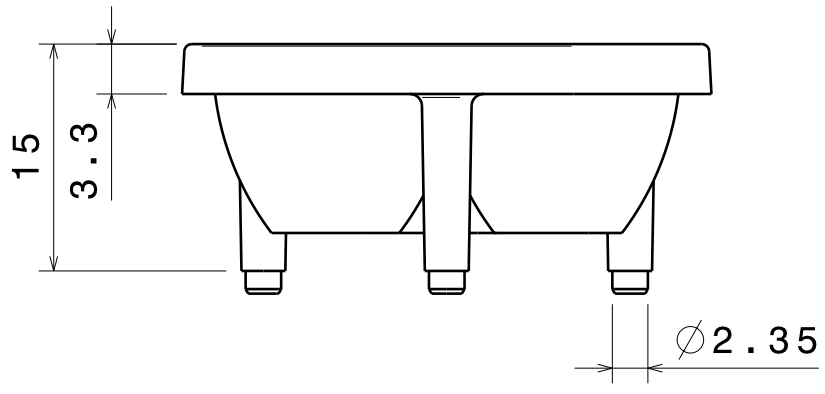
A



Isometric view
Scale: 1:1



Bottom view



Front view

Material: PMMA

This drawing is our property.
It can't be reproduced
or communicated without
our written agreement.



Ledil Oy
Tehdaskatu 13
FIN-24100 SALO
Finland

DRAWING TITLE

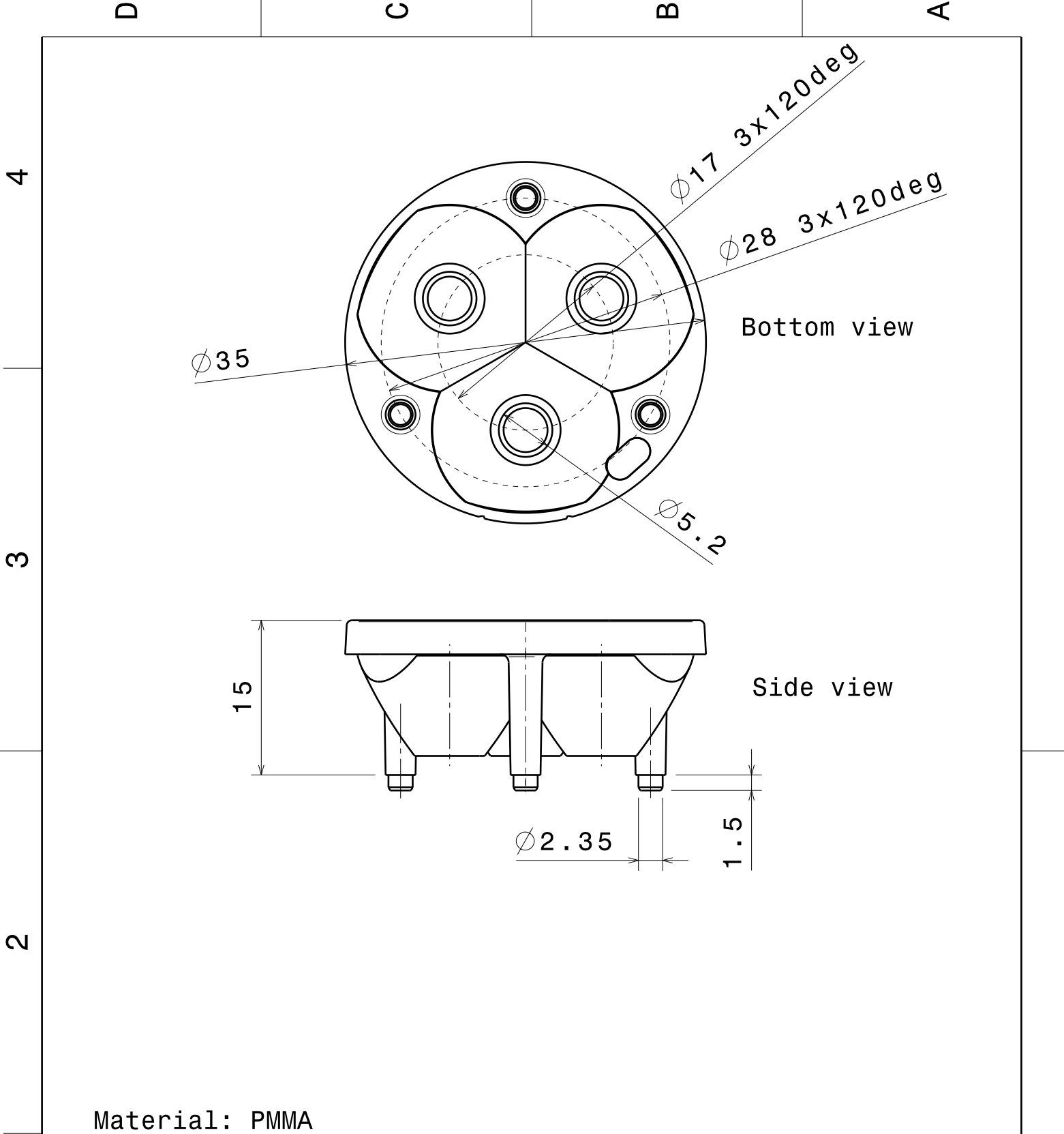
Datasheet Cute-3-W Lens

DRAWN BY pv	DATE 21.01.2009
----------------	--------------------


CHECKED BY tk	DATE 10.12.2008
------------------	--------------------

DESIGNED BY hh	DATE 10.12.2008
-------------------	--------------------

SIZE A4	DRAWING NUMBER 10429	REV 0.1
SCALE 2:1	WEIGHT (g)	SHEET 1/1



Material: PMMA

This drawing is our property. It can't be reproduced or communicated without our written agreement.				Ledit Oy Tehdaskatu 13 FIN-24100 SALO Finland	
DRAWING TITLE					
DRAWN BY pv		DATE 08.09.2008		Datasheet Cute3-0-Plus-SS Lens	
CHECKED BY TK		DATE 29.08.2008		REV 0.1	
DESIGNED BY HH		DATE 29.08.2008		SCALE 2:1	
		WEIGHT (g)		SHEET 1/1	

D

C

B

A

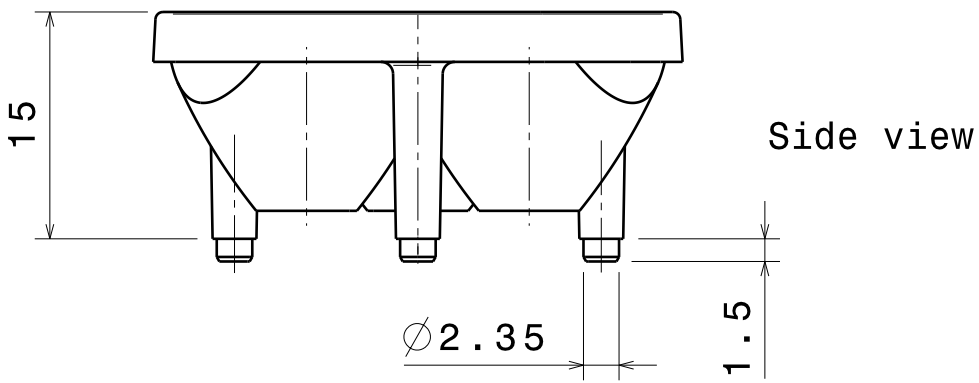
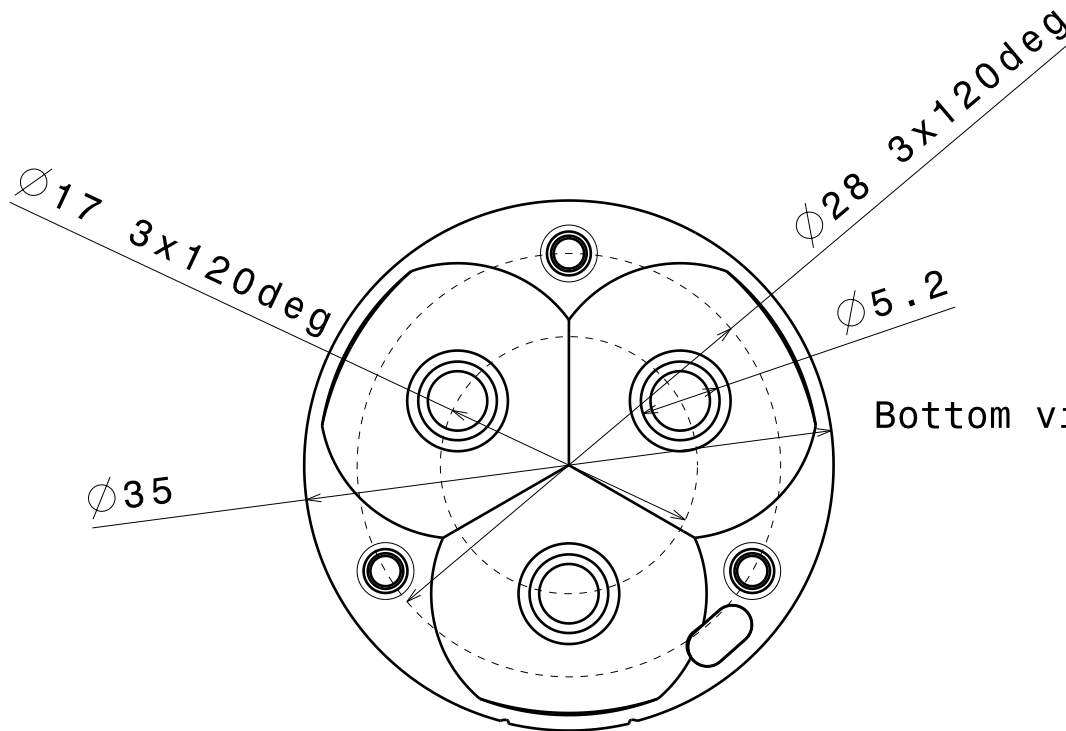
4

3

2

1

1



Material: PMMA

This drawing is our property.
It can't be reproduced
or communicated without
our written agreement.



Ledil Oy
Tehdaskatu 13
FIN-24100 SALO
Finland

DRAWING TITLE

Datasheet Cute3-0-Plus-M Lens

DRAWN BY

pv

DATE

08.09.2008

CHECKED BY

TK

DATE

29.08.2008

SIZE

A4

DRAWING NUMBER

10711

REV

0.1

DESIGNED BY

HH

DATE

29.08.2008

SCALE

2:1

WEIGHT (g)

SHEET

1/1

D

A

D

C

B

A

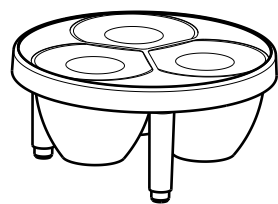
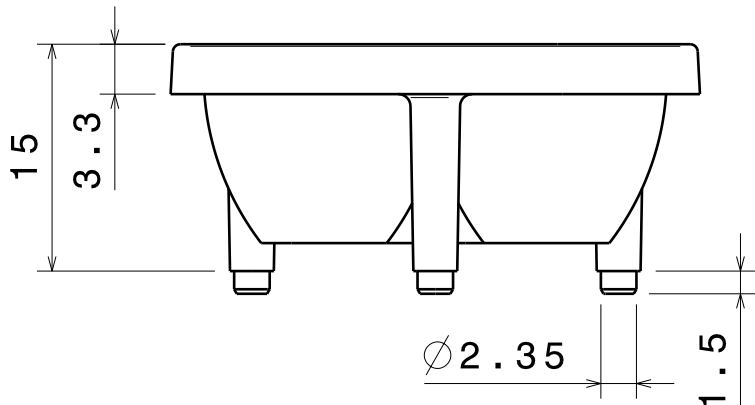
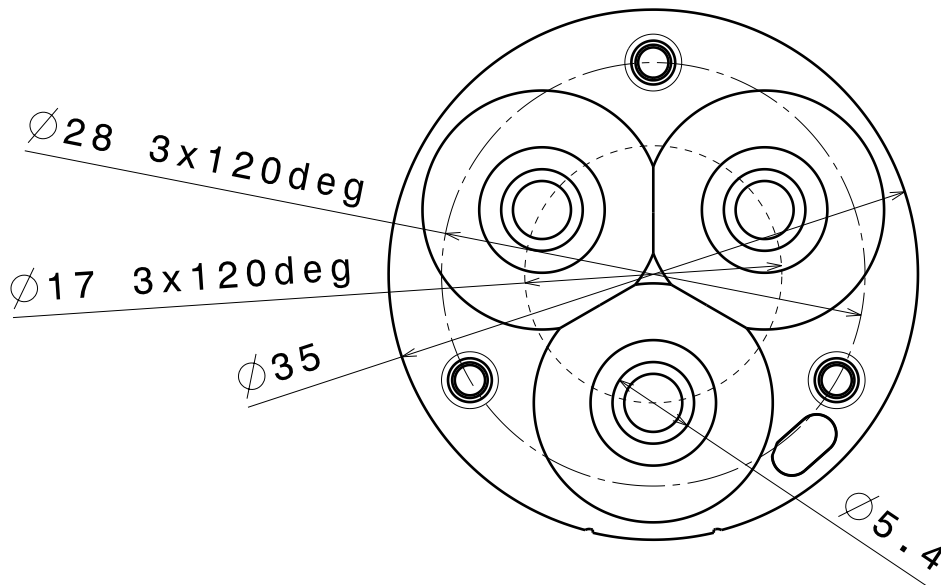
4

3

2

1

1



Scale: 1:1

Material: PMMA

This drawing is our property. It can't be reproduced or communicated without our written agreement.



Ledil Oy
 Tehdaskatu 13
 FIN-24100 SALO
 Finland

DRAWING TITLE

Datasheet Cute3-0-Plus-W Lens

DRAWN BY
pv

DATE
19.11.2008

CHECKED BY
TK

DATE
13.11.2008

SIZE
A4

DRAWING NUMBER

10712

REV
0.1

DESIGNED BY
HH

DATE
13.11.2008

SCALE

2:1

WEIGHT (g)

SHEET

1/1

D

A

D

C

B

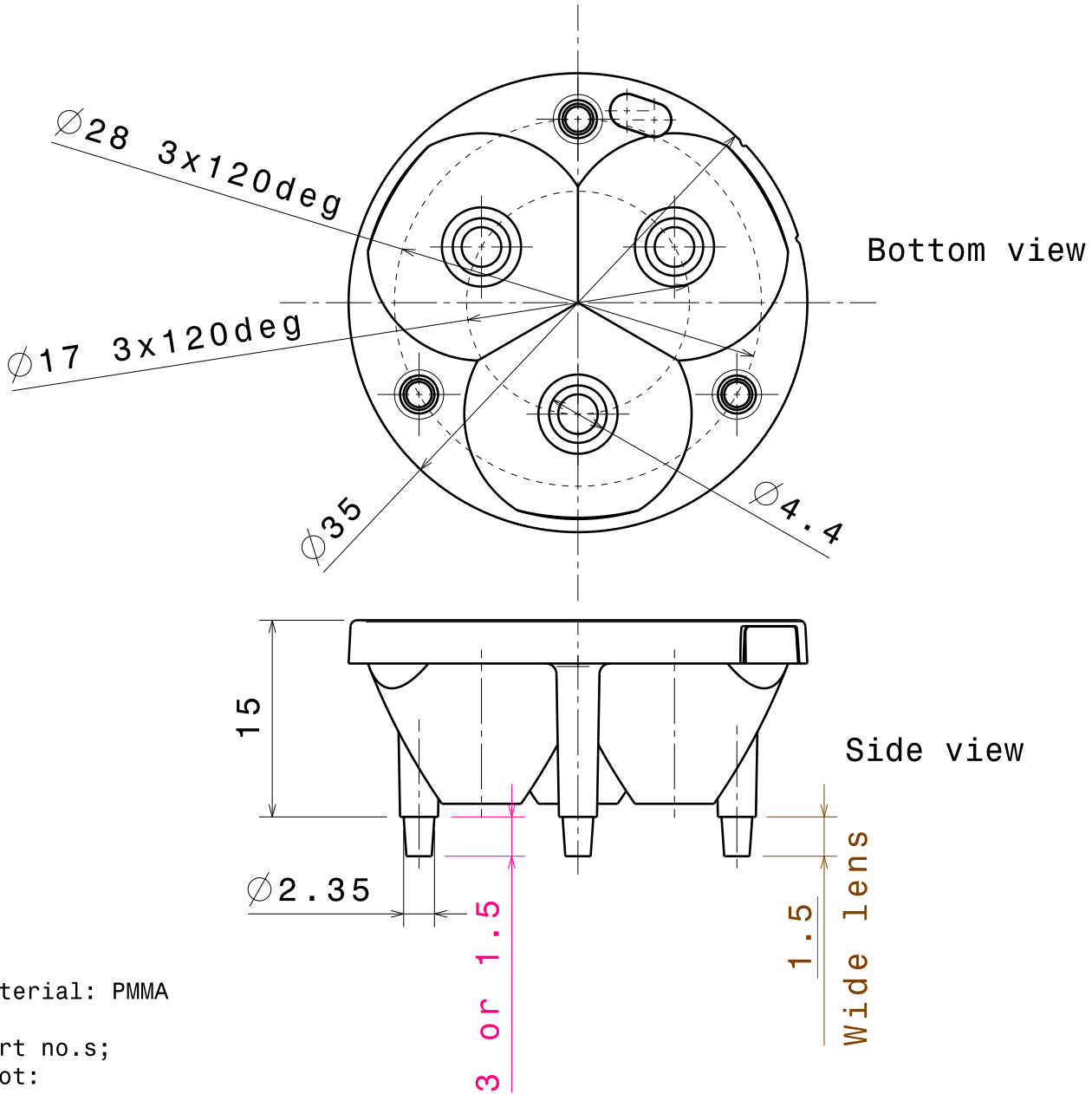
A

4

3

2

1



This drawing is our property.
It can't be reproduced
or communicated without
our written agreement.



Ledil Oy
Tehdaskatu 13
FIN-24100 SALO
Finland

DRAWING TITLE

Datasheet Cute-3 Lens Series

DRAWN BY pv		DATE 08.02.2010		DRAWING TITLE Datasheet Cute-3 Lens Series		
CHECKED BY TK		DATE 09.09.2008		SIZE A4	DRAWING NUMBER	REV 1
DESIGNED BY HH		DATE 09.09.2008		SCALE 2:1	WEIGHT (g)	SHEET 1/1

D

A

1