


Product number C11394_TYRA-S

Family	Tyra	FWHM	20 degrees
Type	Reflector	Efficiency	-
LED	MP-L	cd/lm	(simulated) 0.000
Color	Metal	Gerber File	Available
Diameter	40 mm	Used with Tyco holder	
Height	23.1 mm		
Style	Round		
Optic Material	PC		
Holder Material	-		
Fastening	Socket		
Status	On production		


Product number C11395_TYRA-M

Family	Tyra	FWHM	32 degrees
Type	Reflector	Efficiency	-
LED	MP-L	cd/lm	(simulated) 0.000
Color	Metal	Gerber File	Available
Diameter	40 mm	Used with Tyco holder	
Height	23.1 mm		
Style	Round		
Optic Material	PC		
Holder Material	-		
Fastening	Socket		
Status	On production		


Product number C11396_TYRA-W

Family	Tyra	FWHM	52 degrees
Type	Reflector	Efficiency	-
LED	MP-L	cd/lm	(simulated) 0.000
Color	Metal	Gerber File	Available
Diameter	40 mm	Used with Tyco holder	
Height	23.1 mm		
Style	Round		
Optic Material	PC		
Holder Material	-		
Fastening	Socket		
Status	On production		

NOTE: The typical divergence will be changed by different color, chip size and chip position tolerance. The typical total divergence is the full angle measured where the luminous intensity is half of the peak value.



PRODUCT DATASHEET

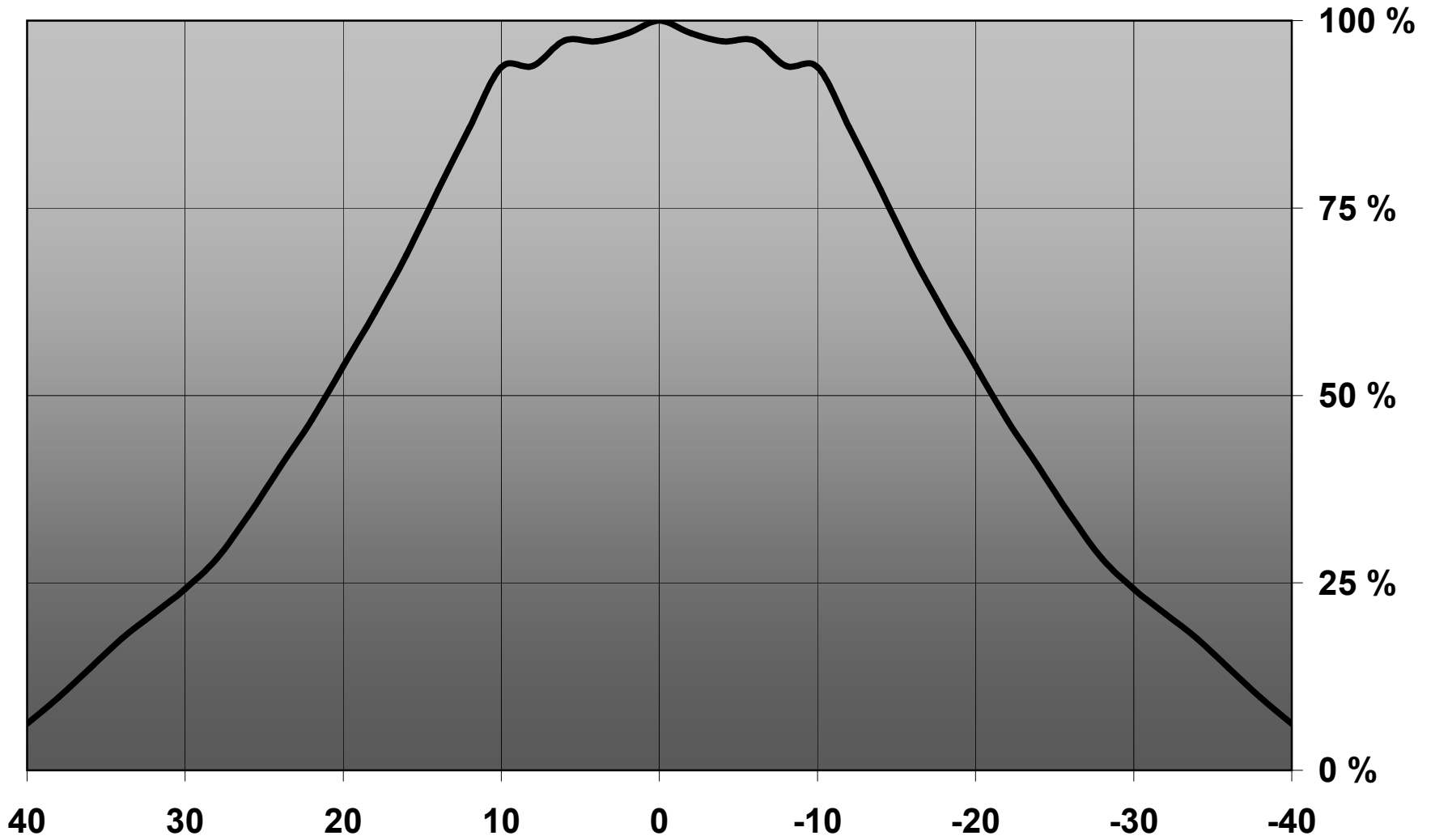
Tyra series

last update 30/9/2014

GENERAL INFORMATION

- Product series especially designed & optimized for MP-L series of LEDs.
- Special care taken to make light distribution as uniform as possible.
- Reflector is made of aluminium coated PC (120 degrees of Celcius / 248 degrees of Fahrenheit) with protective lacquer (short term 100 degrees of Celcius / 212 degrees of Fahrenheit).

Relative Intensity of C11396_Tyra-W



D

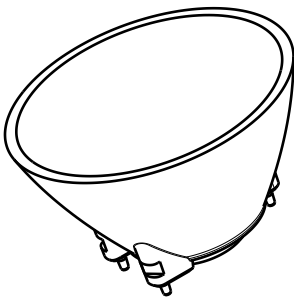
C

B

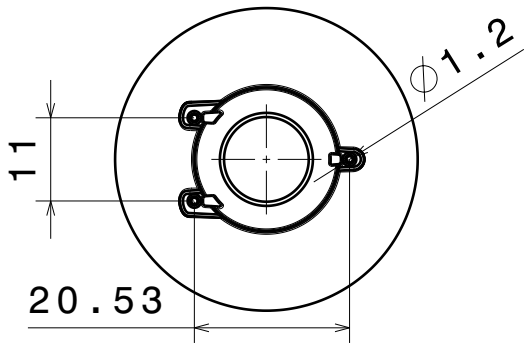
A

4

4



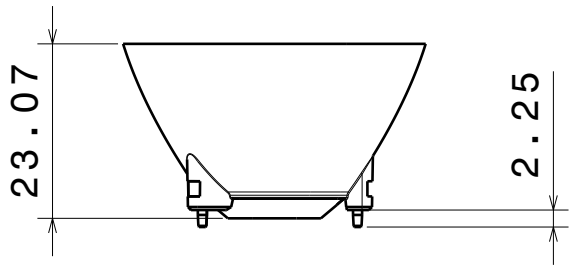
Isometric view
Scale: 1:1



Bottom view
Scale: 1:1

3

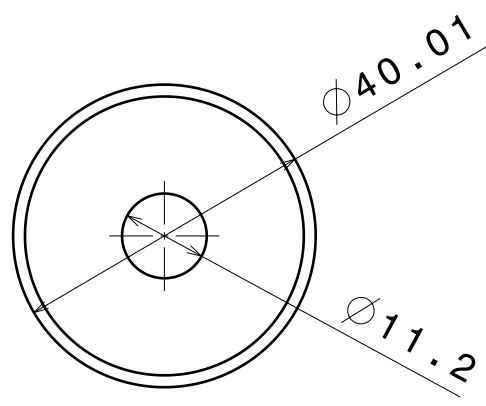
3



Front view
Scale: 1:1

2

2



Top view
Scale: 1:1

Material: PC
Metal coating with laquering

This drawing is our property.
It can't be reproduced
or communicated without
our written agreement.



Ledil Oy
Tehdaskatu 13
FIN-24100 SALO
Finland

DRAWING TITLE

Datasheet Tyra series

1

1

DRAWN BY
ah

DATE
25.7.2011

CHECKED BY
sn

DATE
25.7.2011

SIZE
A4

DRAWING NUMBER

REV
3

DESIGNED BY
ol

DATE
07.07.2010

SCALE 2:1

WEIGHT (g)

SHEET

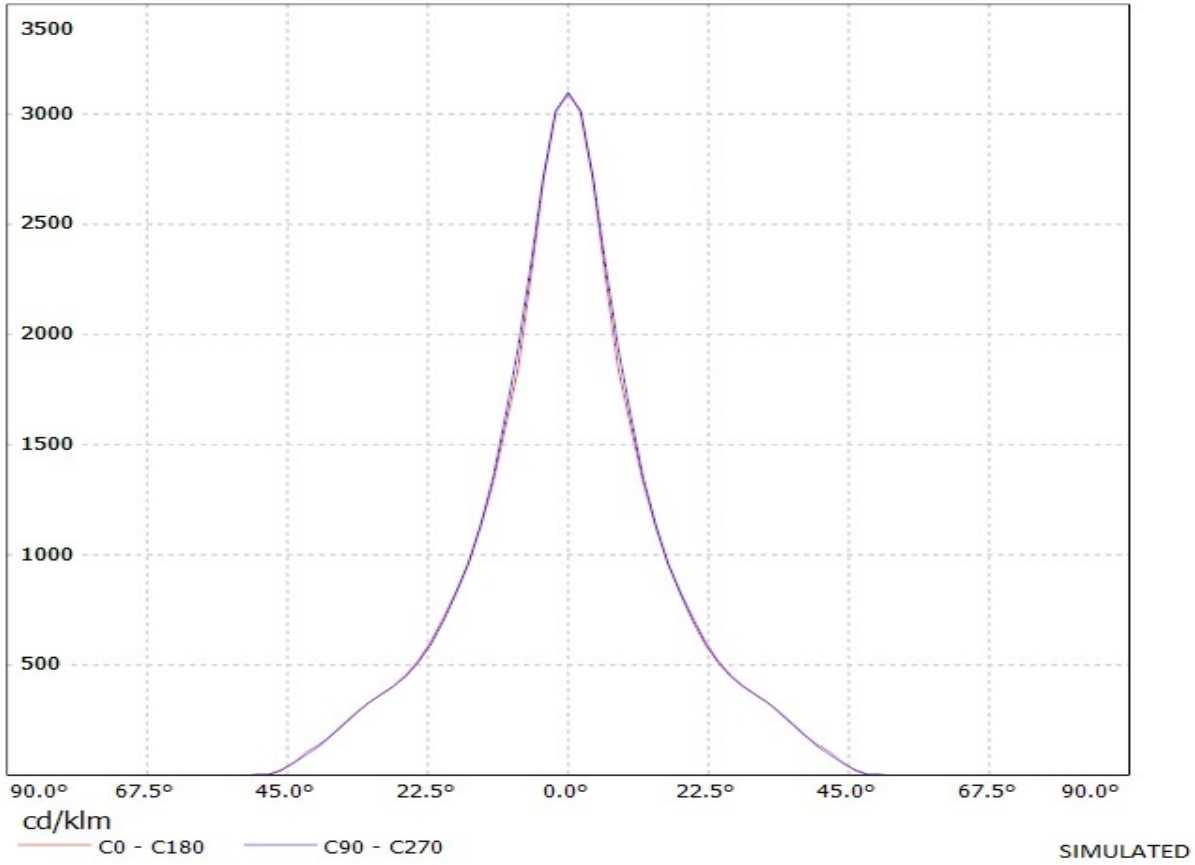
1/1

D

A

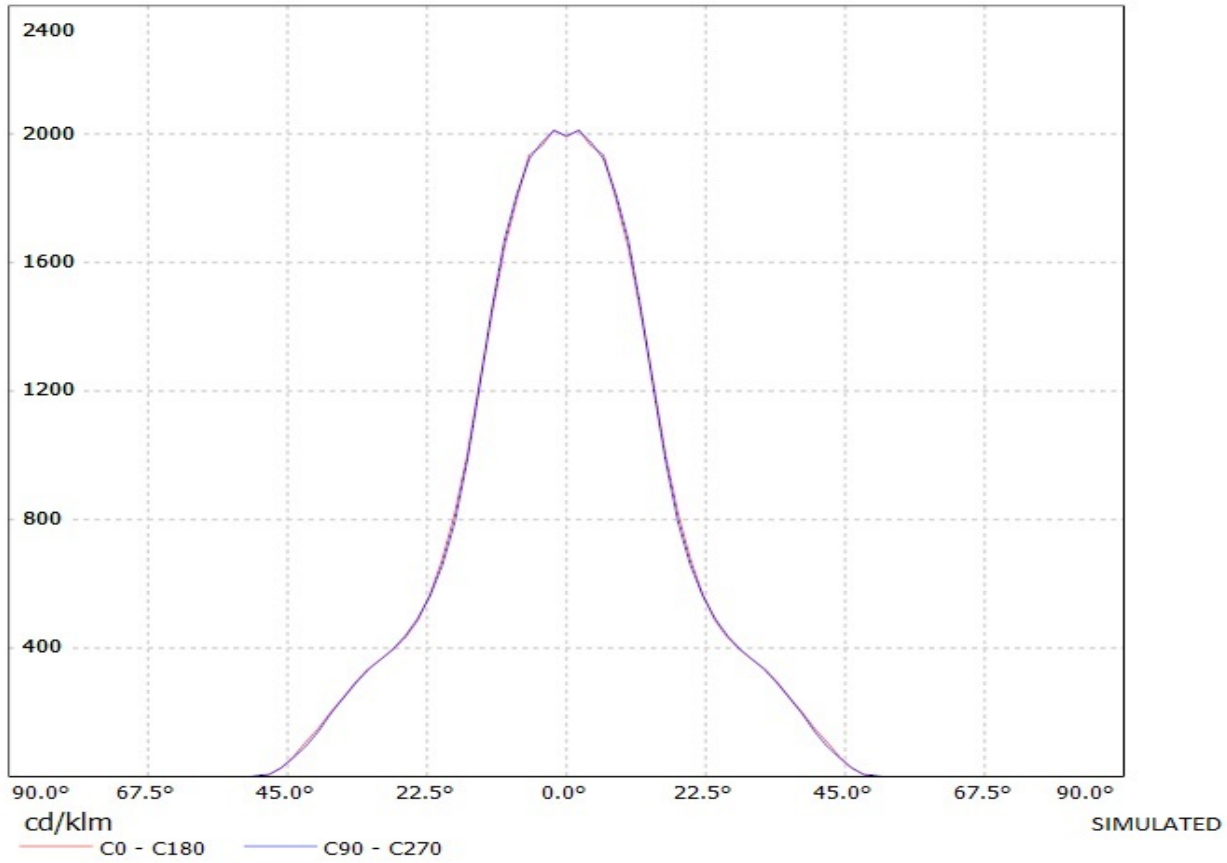
Ledil Oy C11394_Tyra-S C11394_Tyra-S / LDC (Linear)

Luminaire: Ledil Oy C11394_Tyra-S C11394_Tyra-S
Lamps: 1 x Cree MPL (White)



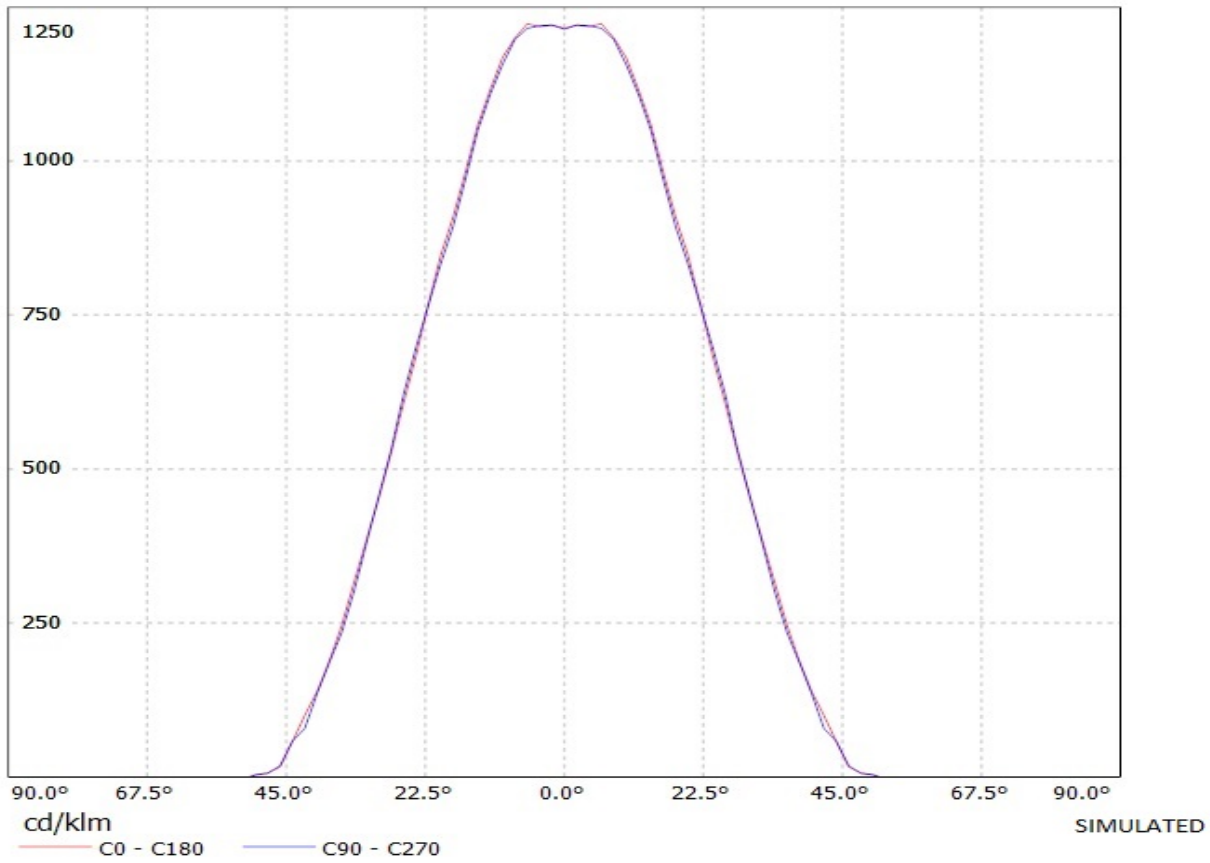
Ledil Oy C11395_Tyra-M C11395_Tyra-M / LDC (Linear)

Luminaire: Ledil Oy C11395_Tyra-M C11395_Tyra-M
Lamps: 1 x Cree MPL (White)



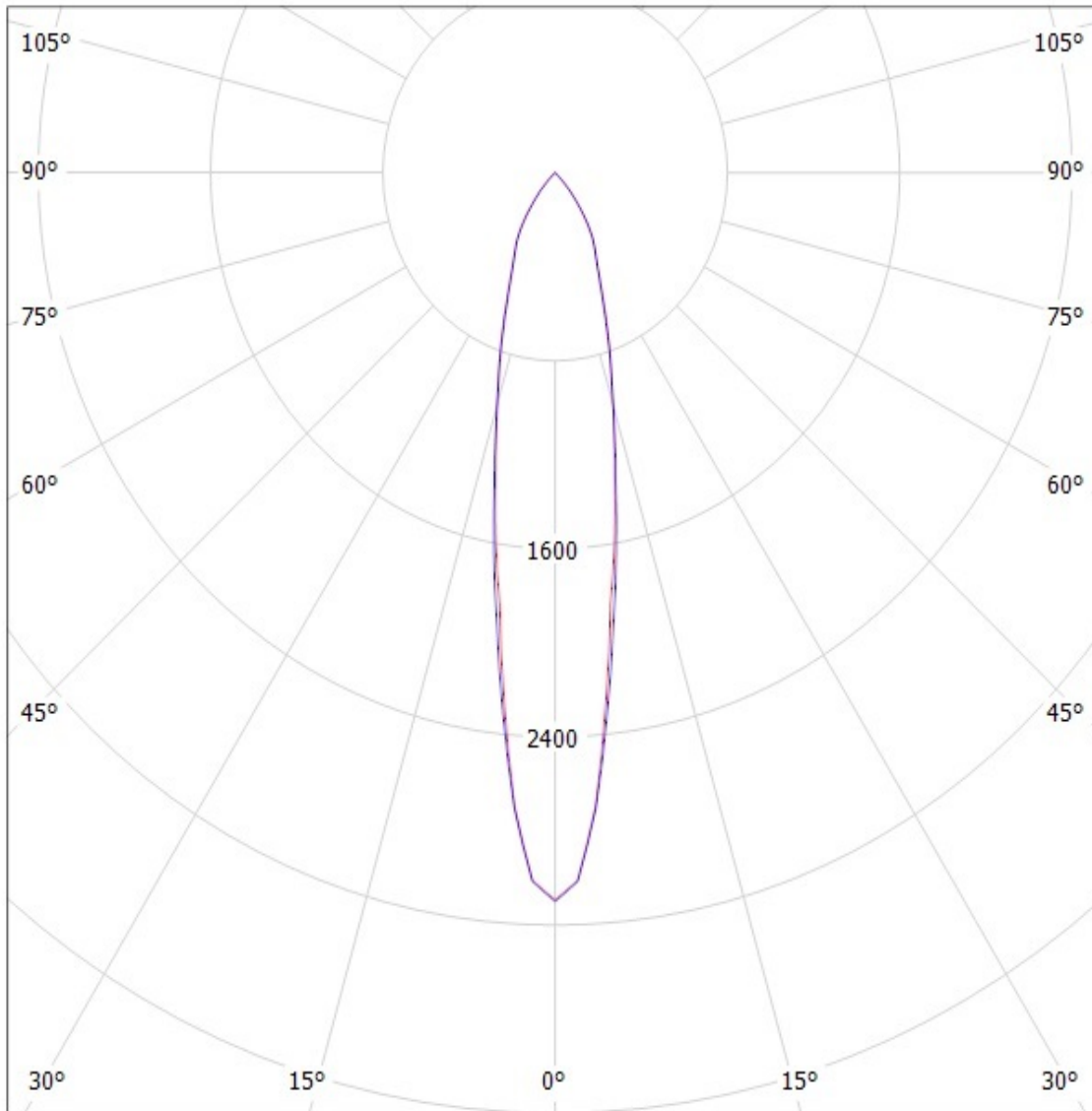
Ledil Oy C11396_Tyra-W C11396_Tyra-W / LDC (Linear)

Luminaire: Ledil Oy C11396_Tyra-W C11396_Tyra-W
Lamps: 1 x Cree MPL (White)



Ledil Oy C11394_Tyra-S C11394_Tyra-S / LDC (Polar)

Luminaire: Ledil Oy C11394_Tyra-S C11394_Tyra-S
Lamps: 1 x Cree MPL (White)



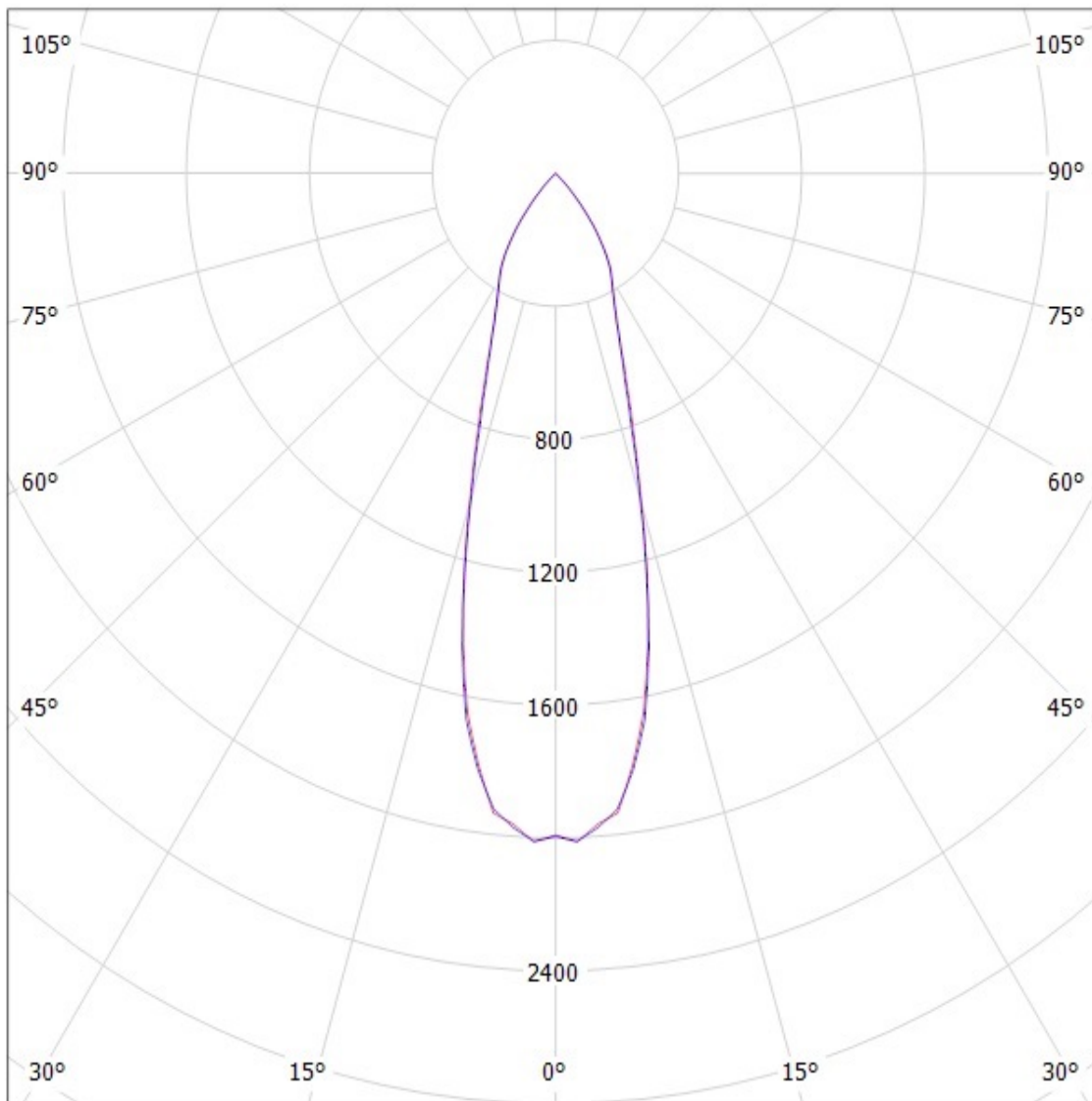
cd/klm

— C0 - C180 — C90 - C270

SIMULATED

Ledil Oy C11395_Tyra-M C11395_Tyra-M / LDC (Polar)

Luminaire: Ledil Oy C11395_Tyra-M C11395_Tyra-M
Lamps: 1 x Cree MPL (White)



cd/klm

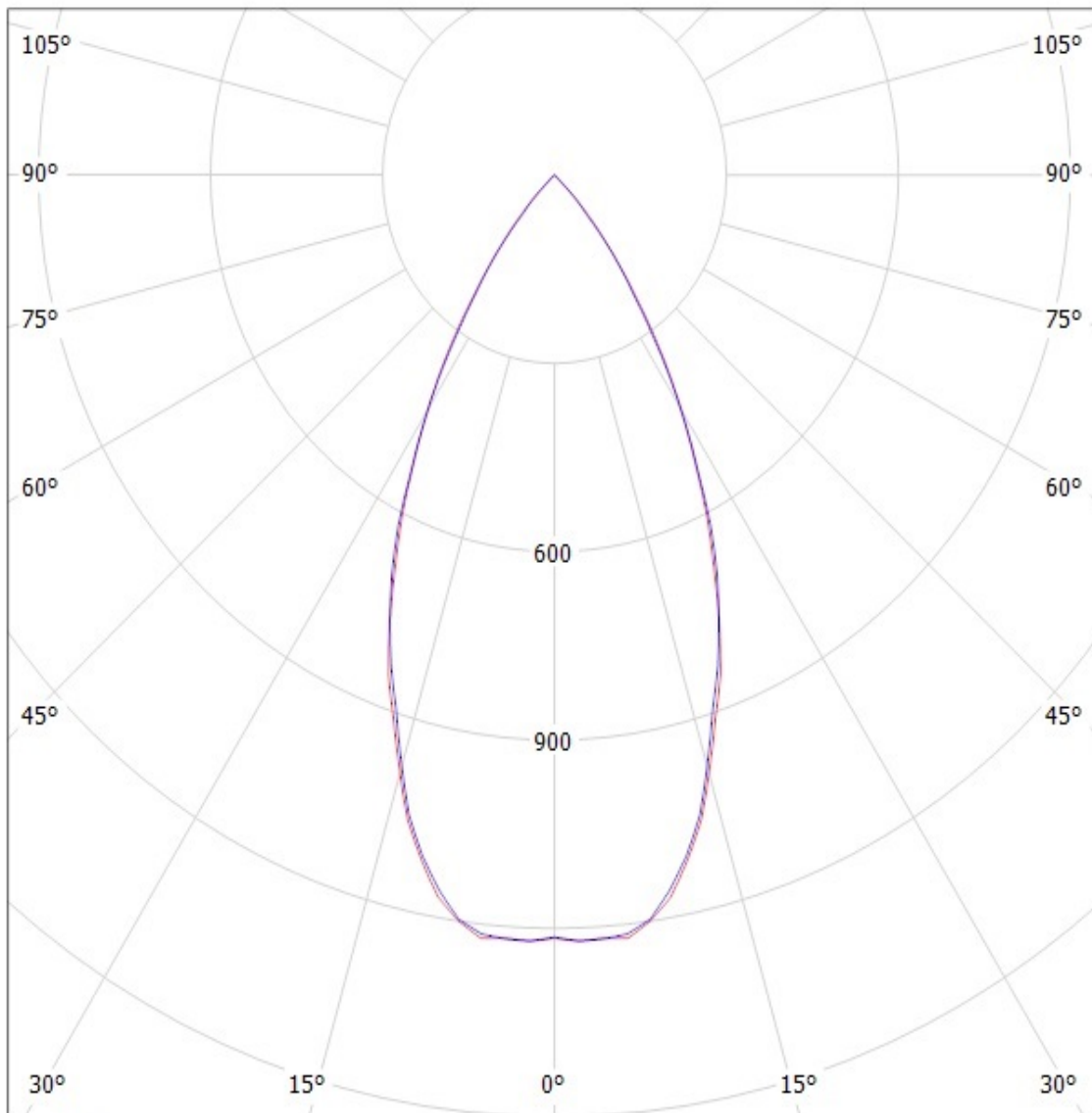
— C0 - C180 — C90 - C270

SIMULATED

Ledil Oy C11396_Tyra-W C11396_Tyra-W / LDC (Polar)

Luminaire: Ledil Oy C11396_Tyra-W C11396_Tyra-W

Lamps: 1 x Cree MPL (White)



cd/klm

— C0 - C180

— C90 - C270

SIMULATED