



Certifications & Ratings

- UL 1598 (E156890)
- IP66
- NEMA 4X
- RoHS Compliant w/6C exemption
- IK07

Application

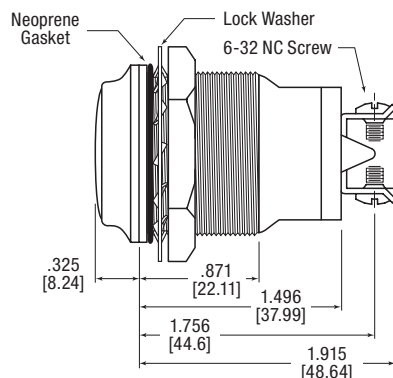
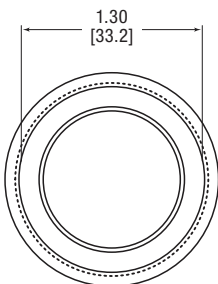
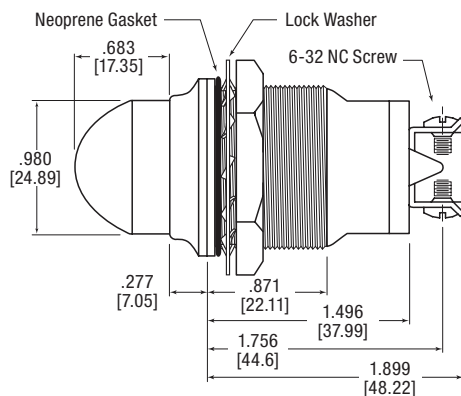
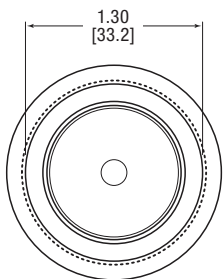
The 630 Series LED Panel Mount Indicators incorporate both InGaN and AlInGaP technologies to offer maximum light output. This is a highly durable package, designed to withstand outdoor applications susceptible to rain, dust and sunlight:

- Instrument panels
- Safety applications
- UL 508 panel applications
- Petrochemical applications
- Environmental Monitoring Equipment specifications
- Pump system controllers
- Mining application
- Oil Refineries
- Agricultural controls
- Power generators

... and many more!

Dimensions

inches [mm]



Mechanical information

Mounting Hole Size: 1.18" (30 mm)
Max Panel Thickness: Flat: 0.575" (14.6 mm)
 Dome: 0.375" (9.53 mm)

Mounting Torque: 40 in-lbs

Specifications

Voltage Options: 12 & 24 VDC, and 120 VAC
 (no resistor required)

Operating Temp: -30°C to +85°C (-22°F to +185°F)

Storage Temp: -40°C to +100°C (-40°F to +212°F)

Electrical Connection: 6-32 screw terminals

Housing: Brass—White Nickel Plated

Terminals: Brass — Hot solder dip
 per Mil-F-14072D, M258, Type II

Lens Material: Transparent Polycarbonate (UL 94-0)

Lock Washer: Phosphor Bronze — Nickel Plated

Nut: Brass—Nickel Plated

Ordering Information 630 Series

Part Number Guide										RoHS Compliant				
6	3	0	-	X	X	X	X	-	3	0	4	F		
				Lens Style								Voltage		
				Flat	1							3	12 VDC	
				Domed	3							4	24 VDC	
												5	120 VAC	
				Color										
				○ White	0	0								
				● Red	5	0								
				● Green	6	0								
				● Yellow	7	0								
				● Blue	8	0								

Dialight P/N	Color	Voltage	Current (mA)	Typical Intensity (mcd)
--------------	-------	---------	--------------	-------------------------

Flat Lens

630-1003-304F	○ White	12 VDC	60	61,000
630-1503-304F	● Red		95	22,000
630-1603-304F	● Green		60	41,500
630-1703-304F	● Yellow		95	13,500
630-1803-304F	● Blue		60	13,000
630-1004-304F	○ White		24 VDC	32
630-1504-304F	● Red	46		22,000
630-1604-304F	● Green	32		41,500
630-1704-304F	● Yellow	95		13,500
630-1804-304F	● Blue	32		13,000
630-1005-304F	○ White	120 VAC		9.5
630-1505-304F	● Red		10.5	8,000
630-1605-304F	● Green		9.5	29,000
630-1705-304F	● Yellow		95	5,750
630-1805-304F	● Blue		9.5	7,750

Domed Lens

630-3003-304F	○ White	12 VDC	60	17,000
630-3503-304F	● Red		95	14,000
630-3603-304F	● Green		60	14,000
630-3703-304F	● Yellow		95	4,000
630-3803-304F	● Blue		60	12,000
630-3004-304F	○ White		24 VDC	32
630-3504-304F	● Red	46		14,000
630-3604-304F	● Green	32		14,000
630-3704-304F	● Yellow	95		4,000
630-3804-304F	● Blue	32		12,000
630-3005-304F	○ White	120 VAC		9.5
630-3505-304F	● Red		10.5	2,500
630-3605-304F	● Green		9.5	9,500
630-3705-304F	● Yellow		95	1,750
630-3805-304F	● Blue		9.5	3,000

Dialight reserves the right to make changes at any time in order to supply the best product possible. The most current version of this document will always be available at: www.dialightsignalsandcomponents.com

Warranty Statement: Except for the warranty expressly provided for [herein/above/below], Dialight disclaims any and all other warranties, express or implied, including, without limitation, any warranties of merchantability, fitness for a particular purpose, title, and noninfringement.