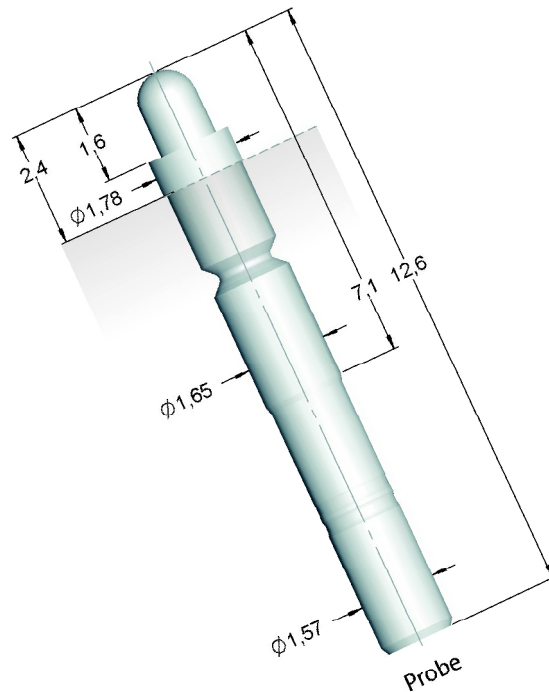


Bare PCB Testing and Interfaces

F620

For all applications that require a low installation height. Due to its execution the pin can be soldered directly into the plate. The barrel is sealed with a ball, thus enabling the cable to be soldered into the probe.

Please find the corresponding interface pin for contacting on page 49.

**Mechanical Specifications**

Working Travel: 1,3 mm
 Full Travel: 1,6 mm
 Preload: 40 cN
 Spring Force at Working Travel:
 75 cN \pm 20%
 130 cN \pm 20% (On Request)
 Mechanical Life: 1,5 mill. cycles
 Pointing Accuracy: \pm 0,08 mm

Electrical Specifications

Maximum Continuous Current: 3,0 A
 Typical Probe Resistance: 30 mOhm

Materials and Finishes

Plunger: see Tip Style
 Barrel: Bronze, Gold plated
 Spring: Music Wire, Silver plated

Projection Height

F620

2,4 mm

Order Example

Type	Tip Diameter	Spring Force
F620	01S 120	L 075
Tip Style	Material	Plunger Finish
Material:	S = Steel	
Tip Diameter:	1,2 mm = 120	
Plunger Finish:	L = Longtime gold plated, N = Nickel plated, R = Rhodium plated	

Plunger Tip Style, Material, Finish and Tip Diameter

01 Steel; L



Ø 1,2 mm

11 Steel; N, L, R



Ø 1,2 mm

Centers 2,54 mm/100 mil

	Current	Temperature
Standard	3,0 A	-20°... +80° C