

# Terminals and Splices

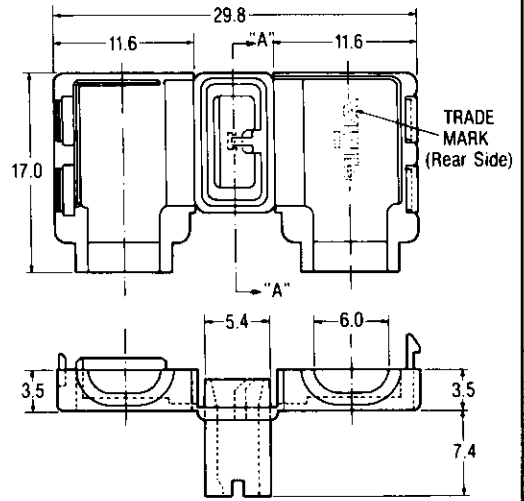
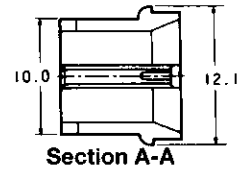
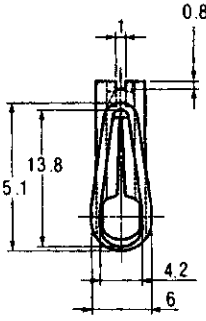
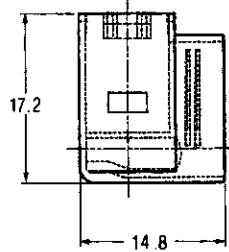
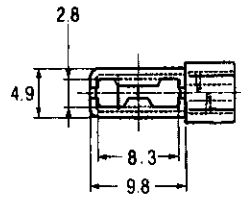
## POSITIVE LOCK EX Series Receptacles

### 250 Series (Flag Type) and Mating Tab Dimension

#### Flag Type Sleeve

Applicable Contact  
 Part No. : 175057-1  
 175178-1

#### Insulation Sleeve



Sleeve Type

One Touch Sleeve

Type	Wire Ins. Dia.	Material (Color)	Part No. of Sleeve
Sleeve	2.8-5.3	Soft PVC, UL94V-2 rated (Blue)	1717268-1
		Soft PVC, UL94V-0 rated (Yellow)	1717268-2
One Touch Sleeve	2.8-4.2	6/6 Nylon, UL94V-2 rated (Natural)	176497-1
		6/6 Nylon, UL94V-0 rated (Natural)	1-176497-1

#### Mating Tab Dimension

