

Clamping Handle Female, Nylon

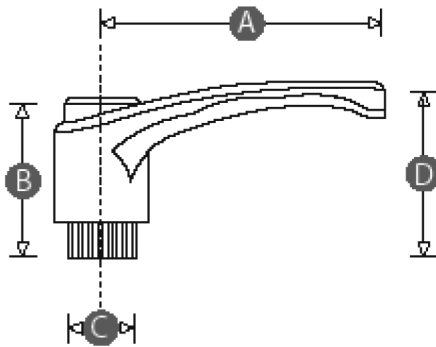


Specifications:

Material : High impact resistant thermoplastic - matt finish
 Insert material : Brass
 Standard colour : Black handle + Red cap

Note:

This product consists of 2 parts: the handle and a cap - different colour combinations are possible - there is no added charge for different coloured caps



Cap Colours:



Dimensions : Millimetres

Part Number Table

Description	A	B	C	D	Thread Size	Weight (g)	Part Number
Clamp HDL FEM, 43mm Curved PLAS M5	43	29	12	30	M5	13	0810000
Clamp HDL FEM, 65mm Curved PLAS M6	65	38	15	44	M6	26	0810006
Clamp HDL FEM. 83mm Curved PLAS M8	83	47	19	54	M8	47	0810011
Clamp HDL FEM. 104mm Curved PLAS M10	104	56	24	64	M10	72	0810014
Clamp HDL FEM. 104mm Curved PLAS M12	104	56	24	64	M12	76	0810015

Important Notice : This data sheet and its contents (the "Information") belong to the members of the Premier Farnell group of companies (the "Group") or are licensed to it. No licence is granted for the use of it other than for information purposes in connection with the products to which it relates. No licence of any intellectual property rights is granted. The Information is subject to change without notice and replaces all data sheets previously supplied. The Information supplied is believed to be accurate but the Group assumes no responsibility for its accuracy or completeness, any error in or omission from it or for any use made of it. Users of this data sheet should check for themselves the Information and the suitability of the products for their purpose and not make any assumptions based on information included or omitted. Liability for loss or damage resulting from any reliance on the Information or use of it (including liability resulting from negligence or where the Group was aware of the possibility of such loss or damage arising) is excluded. This will not operate to limit or restrict the Group's liability for death or personal injury resulting from its negligence. Multicomp is the registered trademark of the Group. © Premier Farnell plc 2012.

www.element14.com
 www.farnell.com
 www.newark.com

