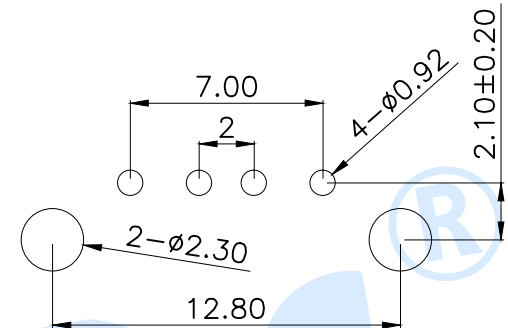
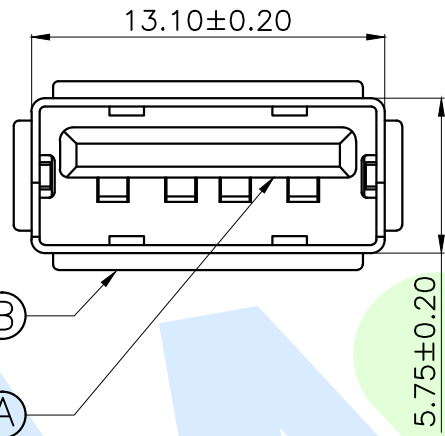
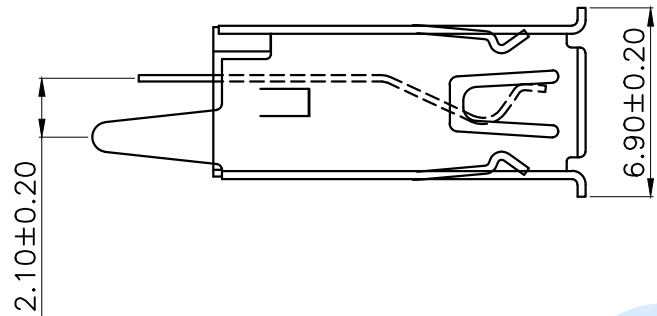
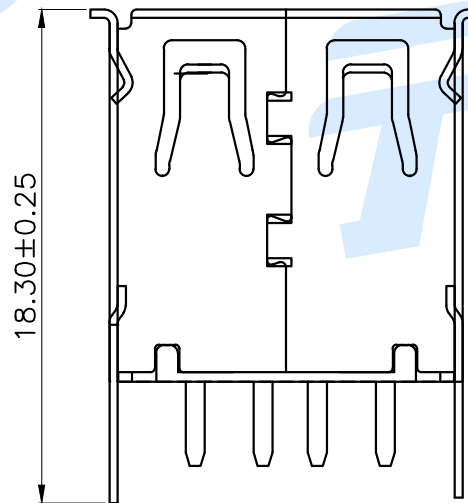
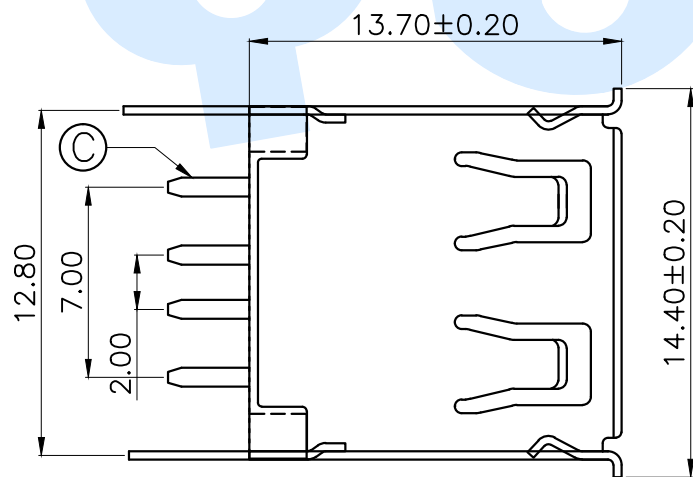


RoHS



P.C.B Layout (Pattern side)



规格说明: Specifications

电气特性: Electrical

1. 额定电流: Current Rating  
1.5A/contact terminal
  2. 额定电压: Voltage Rating  
30V DC
  3. 接触阻抗: Contact Resistance  
50 milliohms Max
  4. 耐电压: Dielectric Withstanding Voltage  
AC 500V/1MINUTE.
  5. 绝缘阻抗: Insulation Resistance  
1000MEGA Ohms Min
- 物理性能: Mechanical
1. 插拔力: Connector Mate and Unmate Force  
Insertion force: 35N(3.57kgf) MAX  
Extraction force: 10-35N(1.02-3.57kgf) Min
- 端子保持力: Terminal Retention  
1.0kgf (MIN)
- 耐久性: Durability  
3000cycles. EXTRACTLON FORCE:  
10-35N(1.02-3.57kgf)

Ⓒ	Terminal		4	Brass	Ag Plating
Ⓑ	Shell		1	Brass	Ni Plating
Ⓐ	Base		1	PBT	White/Black
NO.	Name	Number	Qty	Materil	Remarks

**YUANDI®** Yuandi Electronics Co, Ltd  
元迪

design	date	name	USB CONNECTOR
Review	date	model	USB180-09-T2-W
Approved	date		

Drawing number: Proportion 1:1 unit mm gage number A4

modify Review Approved Tolerance not specified

angle	±2'
10~30	±0.30
5~10	±0.20
~ 5	±0.10