



Extract from the online catalog

SACB-6/12-C SCO

Order No.: 1516878



<http://eshop.phoenixcontact.de/phoenix/treeViewClick.do?UID=1516878>

Sensor/actuator box, with SPEEDCON quick locking system, without LED, with pluggable master cable connection and double-occupied slots, slots: 6

Commercial data	
EAN	4017918967604
Pack	1 pcs.
Customs tariff	85366990
Weight/Piece	0.3143 KG
Catalog page information	Page 116 (PC-2009)

Product notes

WEEE/RoHS-compliant since:
01/01/2008



<http://www.download.phoenixcontact.com>
Please note that the data given here has been taken from the online catalog. For comprehensive information and data, please refer to the user documentation. The General Terms and Conditions of Use apply to Internet downloads.

Technical data

General data	
Nominal voltage U_N	120 V
Max. operating voltage U_{max}	135 V
Max. current carrying capacity per path	2 A

SACB-6/12-C SCO Order No.: 1516878
<http://eshop.phoenixcontact.de/phoenix/treeViewClick.do?UID=1516878>

Current carrying capacity per slot	4 A
SACB total current	10 A
	2x 8 A (For electrical isolation)
Number of positions	5
Number of slots	6
Degree of protection	IP65/IP67/IP69K
Inflammability class acc. to UL 94	V0
Ambient temperature (operation)	-30 °C ... 80 °C
Sensor/actuator connection system	M12-SPEEDCON-socket

Master cable data

Type of connection	Pluggable screw connection
Conductor cross-section min. (signal)	0.14 mm ²
Conductor cross-section max. (signal)	1.5 mm ²
Conductor cross-section AWG min. (signal)	26
Conductor cross-section AWG max. (signal)	16
Conductor cross-section min. (energy)	0.14 mm ²
Conductor cross-section max. (energy)	1.5 mm ²
Conductor cross-section AWG min. (energy)	26
Conductor cross-section AWG max. (energy)	16
External cable diameter min.	7 mm
External cable diameter max.	12 mm
Stripping length	7 mm
Tightening torque, cover screw	0.35 Nm
Tightening torque, union nut	2.5 Nm
Tightening torque slot sensor/actuator cable	0.4 Nm
Tightening torque screw plug	0.4 Nm

Insulation material

Housing material	PBT
Material of the moulding mass	PUR
Contact material	Cu alloy
Contact surface material	Gold-plated
Contact carrier material	PA
Material of contact, master cable side	CU alloy
Material of contact surface, master cable side	Gold-plated

SACB-6/12-C SCO Order No.: 1516878
http://eshop.phoenixcontact.de/phoenix/treeViewClick.do?UID=1516878

Material of the contact carrier on the master cable side	PA 66 V0
Material of threaded sleeve	Zinc die-cast
Material of threaded sleeve surface	Nickel-plated
Material, O-ring	NBR

Pin assignment

Slot/position = Wire color or connection	1 / 4 (A) = 1 / 4
	1 / 2 (B) = 1 / 2
	2 / 4 (A) = 2 / 4
	2 / 2 (B) = 2 / 2
	3 / 4 (A) = 3 / 4
	3 / 2 (B) = 3 / 2
	4 / 4 (A) = 4 / 4
	4 / 2 (B) = 4 / 2
	5 / 4 (A) = 5 / 4
	5 / 2 (B) = 5 / 2
	6 / 4 (A) = 6 / 4
	6 / 2 (B) = 6 / 2
	1-6 / 1 (+ 120 V) = U _N
	1-6 / 3 (0 V) = 0 V
	1-6 / 5 (PE) = PE

Certificates / Approvals



Certification CUL, UL

CUL

Nominal voltage U _N	120 V
Nominal current I _N	3 A

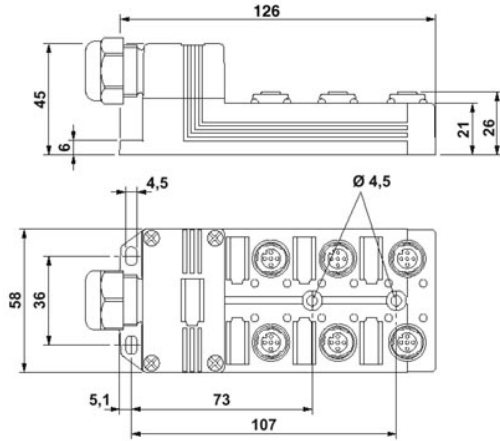
UL

Nominal voltage U _N	120 V
Nominal current I _N	3 A

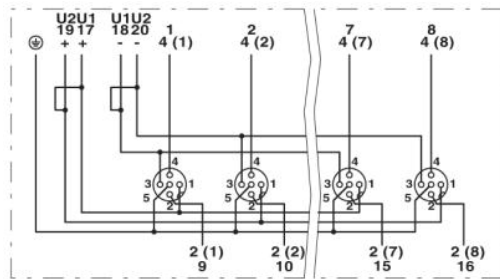
SACB-6/12-C SCO Order No.: 1516878
<http://eshop.phoenixcontact.de/phoenix/treeViewClick.do?UID=1516878>

Drawings

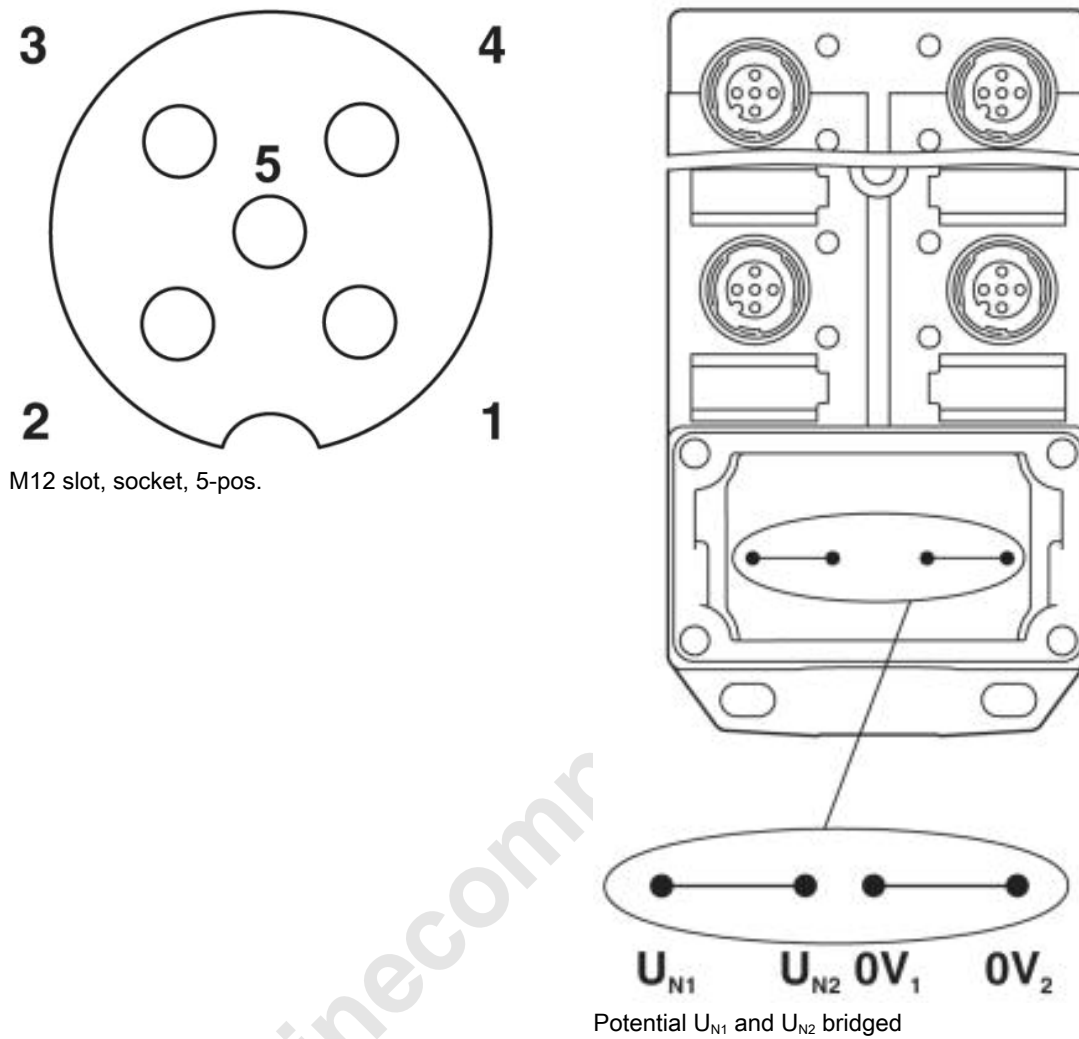
Dimensioned drawing



Circuit diagram

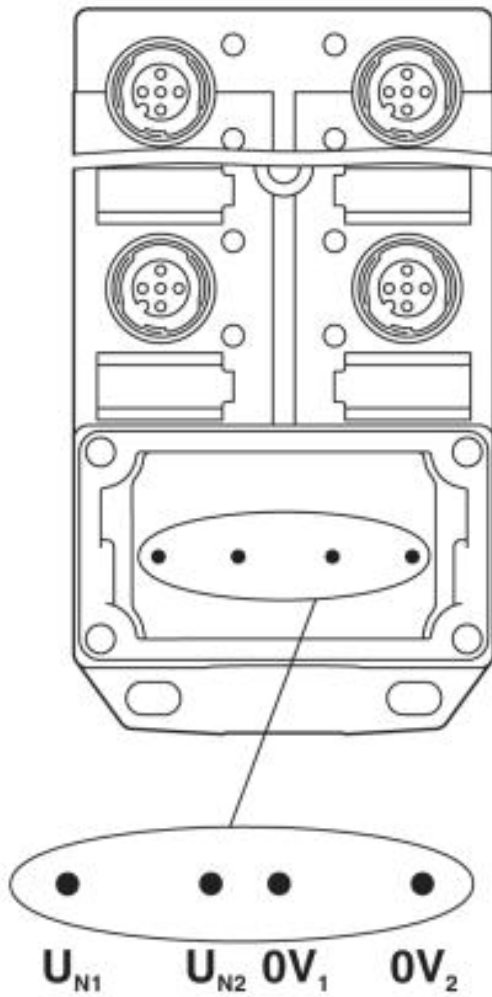


Schematic diagram



SACB-6/12-C SCO Order No.: 1516878
<http://eshop.phoenixcontact.de/phoenix/treeViewClick.do?UID=1516878>

Electrically isolated



SACB-6/12-C SCO Order No.: 1516878
<http://eshop.phoenixcontact.de/phoenix/treeViewClick.do?UID=1516878>

Address

PHOENIX CONTACT GmbH & Co. KG
Flachsmarktstr. 8
32825 Blomberg, Germany
Phone +49 5235 3 00
Fax +49 5235 3 41200
<http://www.phoenixcontact.de>



© 2009 Phoenix Contact
Technical modifications reserved;

onlinecomponents.com