

Wire to Board Connectors

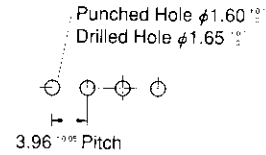
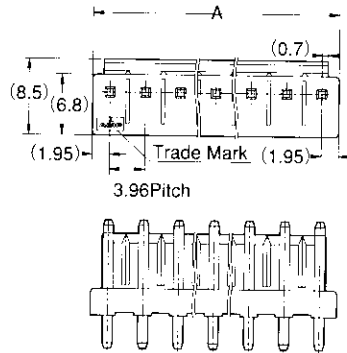
Economy Power (EP) Connectors

Header Assembly/3.96mm and 7.92mm pitch

3.96mm pitch

Material and Finish :

Housing—UL94V-0 rated, glass reinforced PBT
 Colors—natural, yellow, blue, red, black and green
 Post—Tin plated 1.14 mm square brass



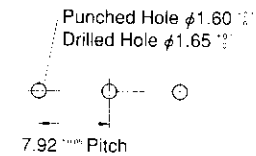
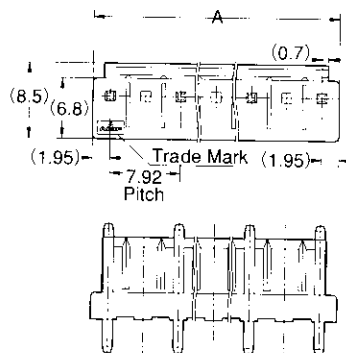
PC Board Layout
 Acceptable Board Thickness : 1.6

No. of Pos	Dimension A	Part No. Header Assembly						Part No. (pieces supplied in tube per tube)
		natural	yellow	blue	red	black	green	
2	7.86	1-1123723-2	2-1123723-2	3-1123723-2	4-1123723-2	5-1123723-2	6-1123723-2	□-1318300-2 (61)
3	11.82	1-1123723-3	2-1123723-3	3-1123723-3	4-1123723-3	5-1123723-3	6-1123723-3	□-1318300-3 (40)
4	15.78	1-1123723-4	2-1123723-4	3-1123723-4	4-1123723-4	5-1123723-4	6-1123723-4	□-1318300-4 (30)
5	19.74	1-1123723-5	2-1123723-5	3-1123723-5	4-1123723-5	5-1123723-5	6-1123723-5	□-1318300-5 (24)
6	23.70	1-1123723-6	2-1123723-6	3-1123723-6	4-1123723-6	5-1123723-6	6-1123723-6	□-1318300-6 (20)
7	27.66	1-1123723-7	2-1123723-7	3-1123723-7	4-1123723-7	5-1123723-7	6-1123723-7	□-1318300-7 (17)
8	31.62	1-1123723-8	2-1123723-8	3-1123723-8	4-1123723-8	5-1123723-8	6-1123723-8	□-1318300-8 (15)
9	35.58	1-1123723-9	2-1123723-9	3-1123723-9	4-1123723-9	5-1123723-9	6-1123723-9	□-1318300-9 (13)
10	39.54	1-1123723-0	2-1123723-0	3-1123723-0	4-1123723-0	5-1123723-0	6-1123723-0	□-1318300-0 (12)
11	43.50	1-1123723-1	2-1123723-1	3-1123723-1	4-1123723-1	5-1123723-1	6-1123723-1	□-1318300-1 (11)

7.92mm pitch

Material and Finish :

Housing—UL94V-0 rated, glass reinforced PBT
 Colors—natural, yellow, blue, red, black and green
 Post—Tin plated 1.14 mm square brass



PC Board Layout
 Acceptable Board Thickness : 1.6

No. of Pos	Dimension A	Part No. Header Assembly						Part No. (pieces supplied in tube per tube)
		natural	yellow	blue	red	black	green	
2	11.82	1-1123724-2	2-1123724-2	3-1123724-2	4-1123724-2	5-1123724-2	6-1123724-2	□-1318301-2 (40)
3	19.74	1-1123724-3	2-1123724-3	3-1123724-3	4-1123724-3	5-1123724-3	6-1123724-3	□-1318301-3 (24)
4	27.66	1-1123724-4	2-1123724-4	3-1123724-4	4-1123724-4	5-1123724-4	6-1123724-4	□-1318301-4 (17)
5	35.58	1-1123724-5	2-1123724-5	3-1123724-5	4-1123724-5	5-1123724-5	6-1123724-5	□-1318301-5 (13)

4