

**MICRO SWITCH**

FREEPORT, ILLINOIS, U.S.A.  
A DIVISION OF HONEYWELL

FED. MFG. CODE 91929

**SWITCH-TOGGLE**

CATALOG LISTING  
**4TL82-72**

**MILITARY RATING (AMPS)**

RESISTIVE LOAD		LAMP LOAD		INDUCTIVE LOAD	
DC VOLTS	AC VOLTS	28 VDC	125 VAC	28 VDC	125 VAC
28	125	250	125	250	6
18	.75	.5	11	6	4
					2
					10
					8

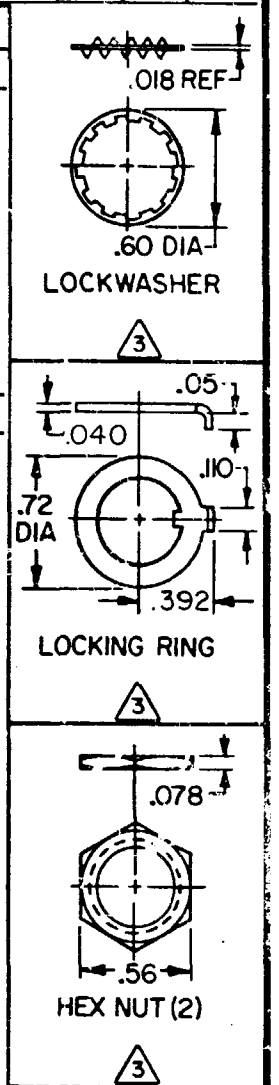
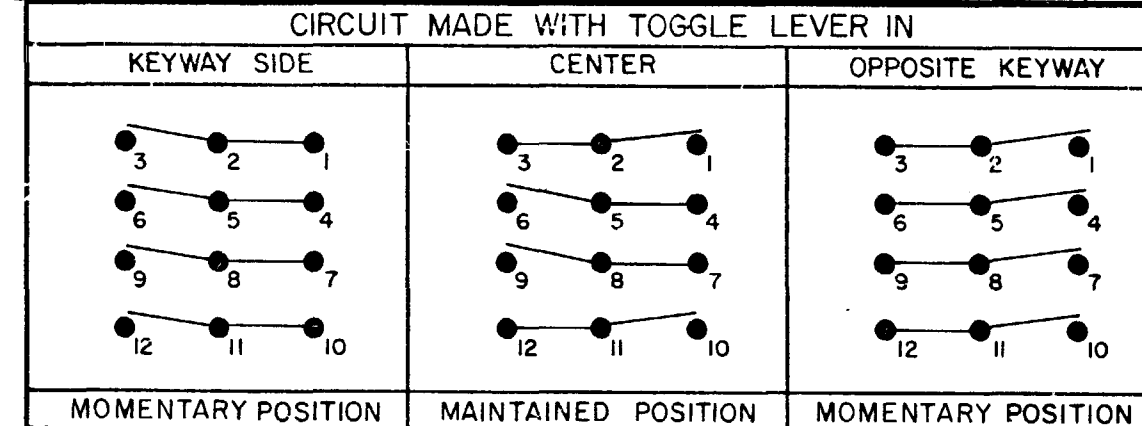
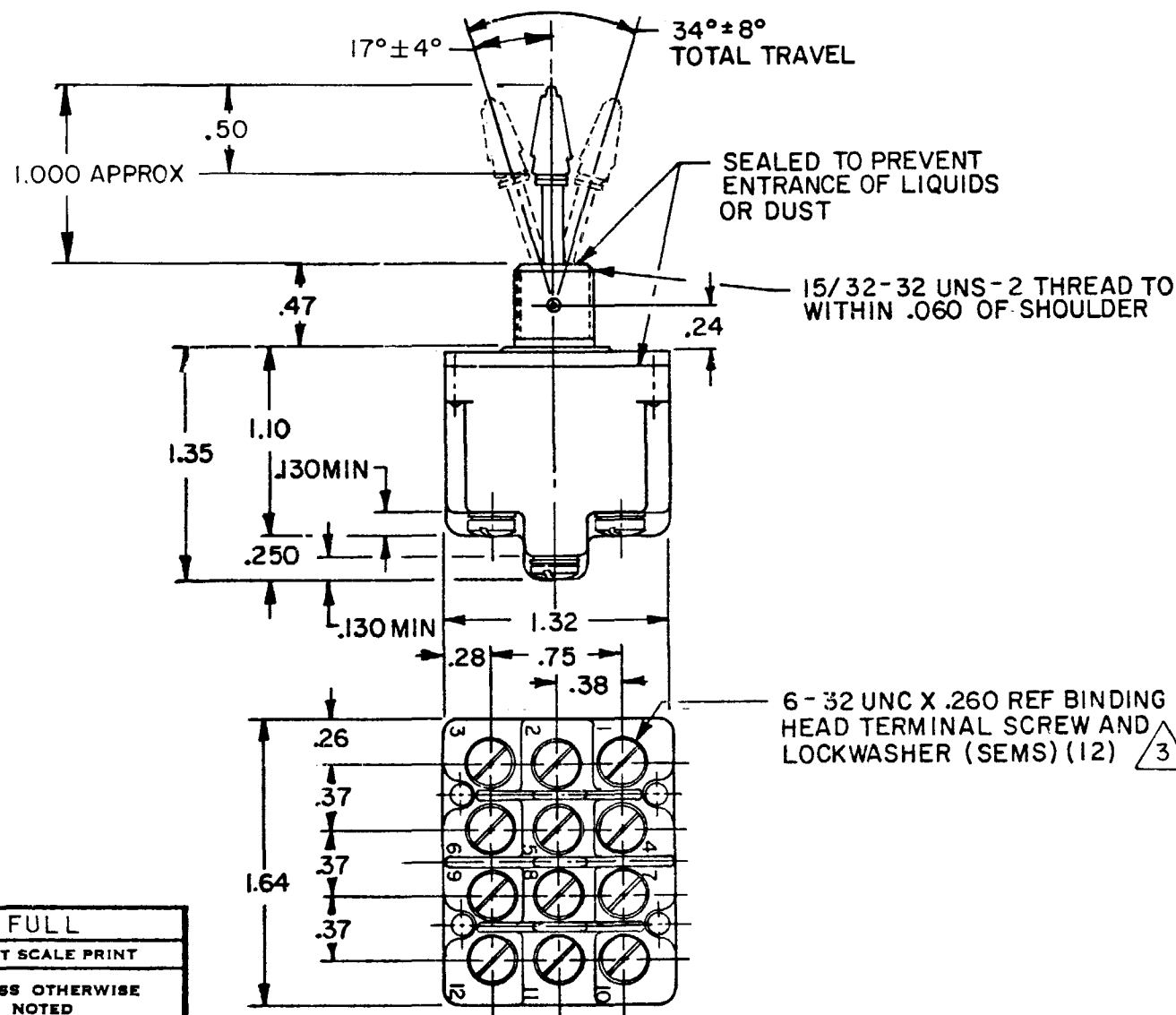
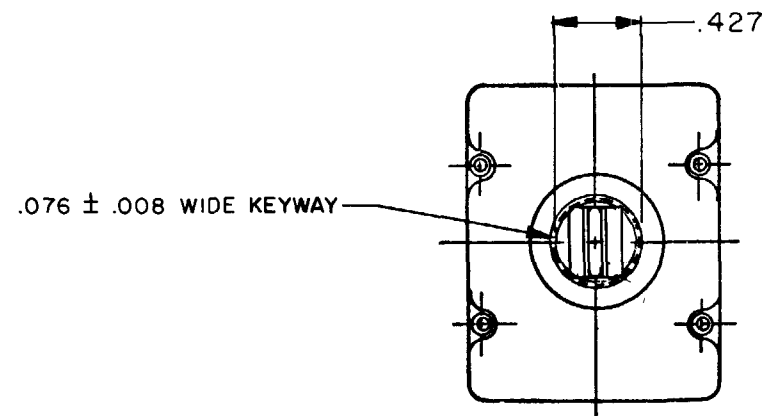
THIS DRAWING COVERS A PROPRIETARY ITEM AND IS THE PROPERTY OF MICRO SWITCH, A DIVISION OF HONEYWELL. THIS DRAWING IS NOT TO BE COPIED OR USED WITHOUT THE APPROVAL OF MICRO SWITCH.

CATALOG LISTING  
**4TL82-72**  
PAGE 1 OF 1  
REPLACES  
RELEASE NO. PR-8787  
ISSUE  
**M**  
9

REVISIONS

A	CO-81150	J A K	19 JUN 95
B	CO-94445	C S L	23 NOV 99

FORMTEK  
DRAWN  
J A P  
10 MAY 80  
CHECK  
ZLW  
13 MAY 80  
CHECK



- NOTES
- FOR TERMINAL COVER SEE MICRO SWITCH CAT. LIST 5PA9
  - SWITCH IS CAPABLE OF WITHSTANDING A TEMPERATURE OF 160°F CONTINUOUSLY AT FULL RATED LOAD
  - FURNISHED UNASSEMBLED
  - CIRCUIT DESIGNATION AND MICRO SWITCH CATALOG LISTING MARKED ON SIDE OF SWITCH
  - KNOB PORTION OF TOGGLE LEVER HAS NATURAL ALUMINUM FINISH (CLEAR ANODIZED)

SCALE FULL  
DO NOT SCALE PRINT  
UNLESS OTHERWISE NOTED  
DIMENSIONS ARE IN INCHES  
TOLERANCES ARE:  
ONE PLACE (.0) ± .030  
TWO PLACE (.00) ± .015  
THREE PLACE (.000) ± .005  
ANGLES ± .005  
WEIGHT .17 LB EST

10A-125, 250, 277VAC  
1/4-125VAC; 1/2HP-250, 277VAC  
3A-125VAC "L" L192