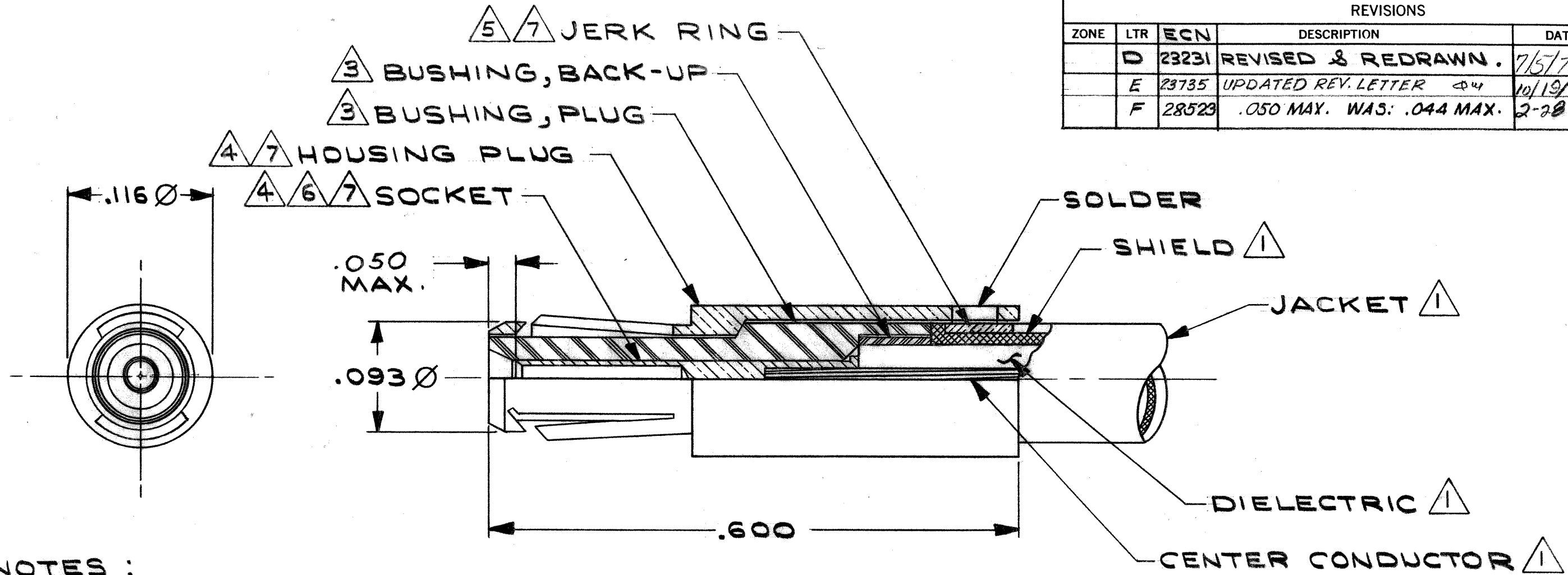


REVISIONS					
ZONE	LTR	ECN	DESCRIPTION	DATE	APPROVED
	D	23231	REVISED & REDRAWN.	7/5/78	FLC
	E	23735	UPDATED REV. LETTER #4	10/19/78	FLC
	F	28523	.050 MAX. WAS: .044 MAX.	2-28-84	BMA



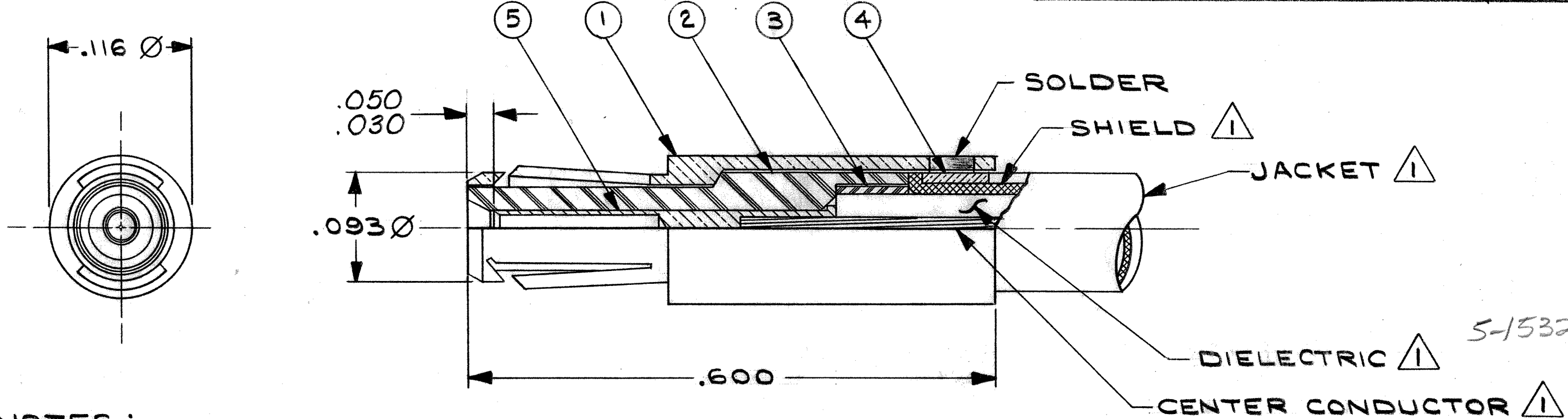
NOTES :

- 1. CABLE ACCEPTANCE DIMENSIONS : CENTER CONDUCTOR .013 MAX , DIELECTRIC .036-.032 SHIELD .054-.048, JACKET .087-.065 .
- 2. FOR ASSEMBLY INSTRUCTIONS , REFER TO CI-ASMB-1.
- 3. TEFLON PER L-P-403 .
- 4. BERYLLIUM COPPER PER QQ-C-530, HALF HARD
- 5. BRASS PER QQ-B-626, COMP 360, HALF HARD.
- 6. GOLD PLATE PER MIL-G-45204 , TYPE II , CLASS 1, GRADE C .
- 7. SILVER PLATE PER QQ-S-365 TYPE II , CLASS 3, GRADE B .
- 8. THIS CONTACT IS UTILIZED ON THE CIRCULAR CONNECTORS , SEE MALCO'S CATALOG 200-2 .

Tyco Dwg 5-1532129-7  
Micro P/N 084-0024-00T2

QTY.	PT. NO.	DESCRIPTION	ITEM NO.
PARTS LIST			
UNLESS OTHERWISE SPECIFIED DIMENSIONS ARE IN INCHES TOLERANCES ARE: FRACTIONS DECIMALS ANGLES ± 1/64 .XX ± .03 ± 3° .XXX ± .015		CONTRACT NO.	
MATERIAL 3 4 5		APPROVALS DATE DRAWN E. MINGURA 4-7-78 CHECKED [Signature] 4-7-78 PR. ENG. [Signature] 7/5/78 APPROVED	
FINISH 6 7		<b>MALCO</b> A MICRODOT COMPANY, INC. 220 PASADENA AVE., SO. PASADENA, CALIF. 91030 <b>CONTACT PIN COAXIAL ASSY (50 OHM) INTER-CHANGEABLE COAX. CONTACT</b>	
NEXT ASSY		SIZE <b>B</b>	PROD. CODE <b>984</b> CODE <b>CD</b>
USED ON		CODE IDENT NO. <b>98278</b>	DRAWING NO. <b>084-0024-00T2</b>
APPLICATION		SCALE	SHEET 1 OF 1
DO NOT SCALE DRAWING			

REVISIONS					
ZONE	LTR	ENG	DESCRIPTION	DATE	APPROVED
	D	23231	REVISED & REDRAWN.	7/5/78	FEL
	E	23735	UPDATED REV. LETTER QW	10/19/78	RL
	F	28523	.050 WAS: .044 .030 .030	7/28/87	RMJ



NOTES :

- 1 CABLE ACCEPTANCE DIMENSIONS : CENTER CONDUCTOR .013 MAX, DIELECTRIC .036-.032, SHIELD .054-.048, JACKET .087-.065.
- 2. FOR ASSEMBLY INSTRUCTIONS, REFER TO CI-ASMB-1.
- 3 FOR COMPONENT FINISH, REFER TO MEP 202-08.

QTY.	PT. NO.	DESCRIPTION	ITEM NO.
1	083-0561-00R4	COAXIAL SOCKET CONTACT	5
1	083-0001-00Q6	RING, JERK	4
1	083-0002-0000	BUSHING, BACK-UP	3
1	083-0549-0000	BUSHING, PLUG	2
1	083-0555-00Q6	HOUSING, PLUG	1

PARTS LIST

UNLESS OTHERWISE SPECIFIED DIMENSIONS ARE IN INCHES TOLERANCES ARE: FRACTIONS DECIMALS ANGLES ± 1/64 .XX ± .02 ± 3° .XXX ± .010		CONTRACT NO.		<b>MALCO</b> A MICRODOT COMPANY, INC. 220 PASADENA AVE., SO. PASADENA, CALIF. 91030	CONTACT PIN COAXIAL ASSY (50 OHM) INTER- CHANGEABLE COAX. CONTACT	PROD. CODE <b>984</b> CODE <b>M</b>
MATERIAL		APPROVALS	DATE			
FINISH		DRAWN E. MINGWRA	4-7-78			
NEXT ASSY		CHECKED RL	4-12-78			
USED ON		PR. ENG. FEL	7/5/78	APPROVED	SIZE <b>B</b>	CODE IDENT NO. <b>98278</b>
APPLICATION		DO NOT SCALE DRAWING		DRAWING NO. <b>084-0024-00T2</b>		SCALE
				SHEET 1 OF 1		