

HIGH-SPEED COST EFFECTIVE COAX CABLE

(0.80 mm) .0315" PITCH • FCF8/FCS8 SERIES



FCF8

Mates:
FCS8



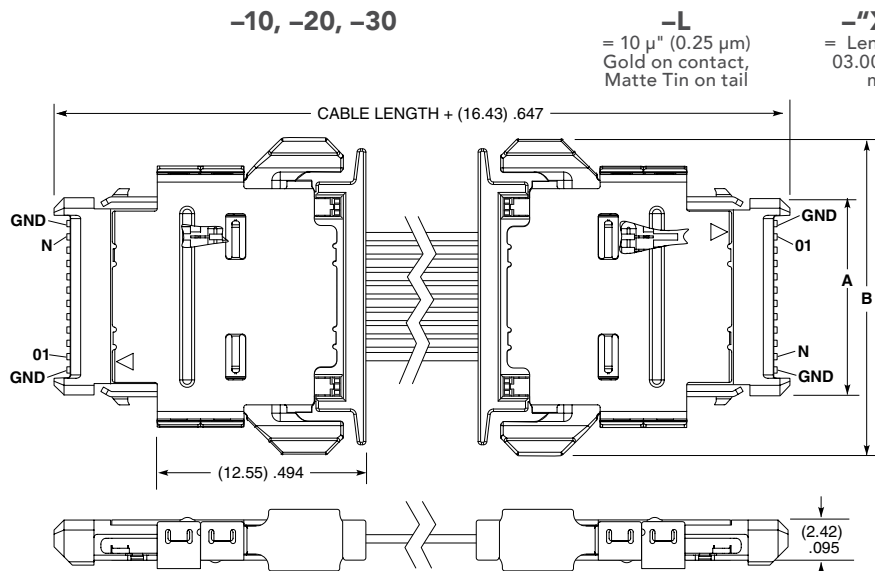
SPECIFICATIONS

Cable:
38 AWG coax
Overmold:
Nylon
Terminal Material:
Phosphor Bronze
Contact Plating:
Au or Sn over
50 μm (1.27 μm) Ni
Operating Temp Range:
-25 °C to +105 °C
Current Rating:
1.8 A per pin
(1 pin powered)

Notes:
Design your full cable assembly with Samtec's High-Speed Cable Solutionator® at www.samtec.com/cablebuilder

Cable lengths longer than 40.00" (1 meter) are not supported with S.I. test data.

Some lengths, styles and options are non-standard, non-returnable.



NO. OF POSITIONS	A	B
-10	(11.85) .467	(19.00) .748
-20	(19.85) .781	(27.00) 1.063
-30	(27.85) 1.096	(35.00) 1.378

ALSO AVAILABLE

Other sizes and lengths (MOQ Required)

FCS8

Mates:
FCF8



SPECIFICATIONS

Insulator Material:
Black LCP
Contact Material:
BeCu
Contact Plating:
Au or Sn over
50 μm (1.27 μm) Ni
Shield:
Nickel Plated Phosphor Bronze
Operating Temp Range:
-55 °C to +125 °C
Current Rating:
1.8 A per pin
(1 pin powered)

PROCESSING

Lead-Free Solderable:

Yes

SMT Lead Coplanarity:

(0.15 mm) .006" max*
*(.004" stencil solution may be available; contact ipg@samtec.com)

Note:

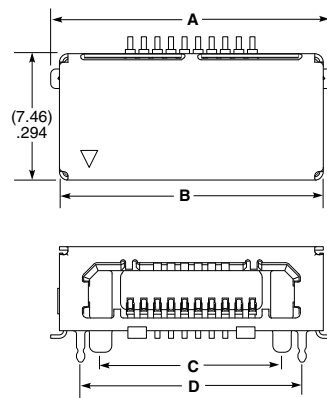
Some sizes, styles and options are non-standard, non-returnable.

-10, -20, -30

-L
= 10 μm (0.25 μm)
Gold on contact,
Matte Tin on tail

-TR
= Tape & Reel

-FR
= Full Reel
Tape & Reel
(must order max. quantity per reel; contact Samtec for quantity breaks)



NO. OF POSITIONS	A	B	C	D
-10	(16.59) .653	(15.56) .613	(10.70) .421	(13.06) .514
-20	(24.59) .968	(23.56) .928	(18.70) .736	(21.06) .829
-30	(32.59) 1.283	(31.56) 1.243	(26.70) 1.051	(29.06) 1.144

