



002  
PCB TERMINAL  
BLOCKS

081  
TERMINAL STRIPS

095  
WIRE TO BOARD  
CONNECTORS

100  
CIRCULAR  
CONNECTORS

151  
IP68 CONNECTORS

158  
INTERFACE  
MODULES AND  
RELAY BASES

# 10mm pitch low profile rising clamp terminal blocks

## Product overview

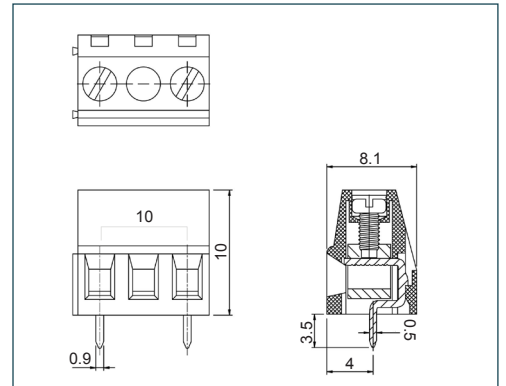
- 2 and 3 pole double interlocking mechanism for increased strength
- Professional rising clamp terminals
- Low profile
- Moulded in green UL94-V0 flame retardant PA66
- Cable acceptance - 0.4-1.3mm<sup>2</sup> (26-16 AWG)
- Guided pin alignment
- approved

CTB0602



SPECIFICATION	
Rating	10A/300V
Dielectric strength	≥2kV
Insulation resistance	5000M Ω/1000V
Working temperature	-33°C to +120°C
Moulding	UL94-V0 flame retardant PA66
Pin/terminal	Tin plated brass
Wire clamp	Nickel plated brass
Screw/torque	M2.5 steel Ni plated
Recommended PCB hole size	ø1.4mm

PART NO.	POLES	LENGTH
CTB0602/2	2	15.2mm
CTB0602/3	3	25mm
CTB0602/4	4	35mm
CTB0602/5	5	45mm
CTB0602/6	6	55mm
CTB0602/7	7	65mm
CTB0602/8	8	75mm
CTB0602/9	9	85mm
CTB0602/10	10	95mm
CTB0602/11	11	105mm
CTB0602/12	12	115mm



## KEY FEATURES

Low profile | Double interlock mechanism | Professional rising clamp

