

HPP816E056 ✓ ACTIVE

MEAS | MEAS HTD

TE Internal #: HPP816E056

TE Internal Description: TRICAN 24V HTD2800P1B11C6STD

Digital RH Temperature Pressure Sensor

[View on TE.com >](#)



Sensors > Humidity Sensors > Humidity Sensor Assemblies > Digital RH Temperature Pressure Sensor



Humidity Sensor Assembly Product Type: RHTP

Supply Voltage (Peak): 32 VDC

Operating Temperature Range: -40 – 105 °C [-40 – 221 °F]

Humidity Measuring Range: 0 – 100 %RH

Current Consumption: 15 mA

[All Digital RH Temperature Pressure Sensor \(3\)](#)

Features

Product Type Features

Humidity Sensor Assembly Product Type	RHTP
Humidity Sensor Assembly Sensor Type	Digital

Electrical Characteristics

Supply Voltage (Peak)	32 VDC
Current Consumption	15 mA

Signal Characteristics

Baud Rate	250 Kb/s
Transmit Rate	100 msec

Usage Conditions

Operating Temperature Range	-40 – 105 °C [-40 – 221 °F]
Humidity Measuring Range	0 – 100 %RH

Operation/Application

Pressure (Max)	130 kPa
----------------	---------

Other

Response Time	5 seconds
---------------	-----------



Product Compliance

[For compliance documentation, visit the product page on TE.com>](#)

EU RoHS Directive 2011/65/EU	Not Yet Reviewed
EU ELV Directive 2000/53/EC	Not Yet Reviewed
China RoHS 2 Directive MIIT Order No 32, 2016	Not reviewed for China RoHS compliance
EU REACH Regulation (EC) No. 1907/2006	Current ECHA Candidate List: JAN 2021 (211) Not Yet Reviewed
Halogen Content	Not Yet Reviewed for halogen content
Solder Process Capability	Not reviewed for solder process capability

Product Compliance Disclaimer

This information is provided based on reasonable inquiry of our suppliers and represents our current actual knowledge based on the information they provided. This information is subject to change. The part numbers that TE has identified as EU RoHS compliant have a maximum concentration of 0.1% by weight in homogenous materials for lead, hexavalent chromium, mercury, PBB, PBDE, DBP, BBP, DEHP, DIBP, and 0.01% for cadmium, or qualify for an exemption to these limits as defined in the Annexes of Directive 2011/65/EU (RoHS2). Finished electrical and electronic equipment products will be CE marked as required by Directive 2011/65/EU. Components may not be CE marked. Additionally, the part numbers that TE has identified as EU ELV compliant have a maximum concentration of 0.1% by weight in homogenous materials for lead, hexavalent chromium, and mercury, and 0.01% for cadmium, or qualify for an exemption to these limits as defined in the Annexes of Directive 2000/53/EC (ELV). Regarding the REACH Regulations, TE's information on SVHC in articles for this part number is still based on the European Chemical Agency (ECHA) 'Guidance on requirements for substances in articles' (Version: 2, April 2011), applying the 0.1% weight on weight concentration threshold at the finished product level. TE is aware of the European Court of Justice ruling of September 10th, 2015 also known as O5A (Once An Article Always An Article) stating that, in case of 'complex object', the threshold for a SVHC must be applied to both the product as a whole and simultaneously to each of the articles forming part of its composition. TE has evaluated this ruling based on the new ECHA "Guidance on requirements for substances in articles" (June 2017, version 4.0) and will be updating its statements accordingly.

Compatible Parts

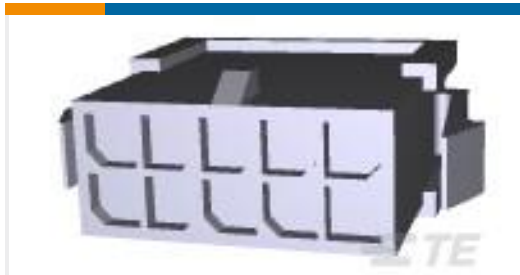
 <p>TE Part # FPP800A110 FPS2800B12C4 STD</p>	 <p>TE Part # CAT-HSA0004 Digital RH Temperature Pressure Sensor</p>
--	---

Also in the Series | **MEAS HTD**



Humidity Sensor Assemblies(3)

Customers Also Bought



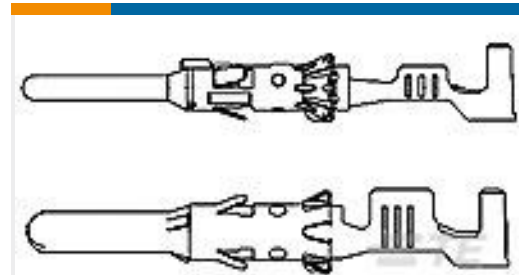
TE Part #1-794615-0
PANEL MT DBL ROW HSG 10 POS



TE Part #1586702-1
02P UMNL PLUG HSG NATL LEAD IN



TE Part #1-1823440-3
22POS, MIXED, REC HSG, ASSY, SEALED



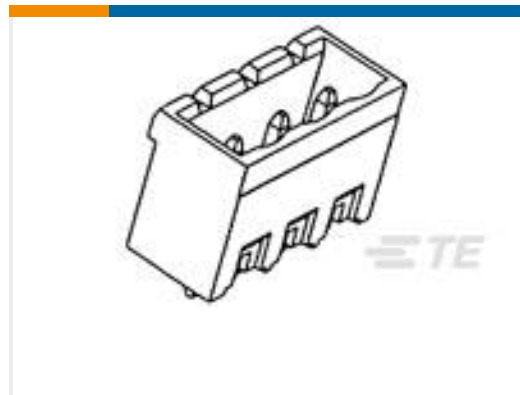
TE Part #1703013-2
DIA 1.5MM CONTACT PIN



TE Part #DTS26W11-98PA
PLUG ASSY



TE Part #1-1614885-1
CPF 0805 180K 0.1% 25PPM 1K RL



TE Part #1-796636-7
17POS 5.08MM CE VRT HDR, TRM BK



TE Part #1-1579007-5
EXTRACTION TOOL



TE Part #1599298-1
RING TONGUE M4



TE Part #1-1586359-0
10P MINIUMNL GANG WIRE SEAL DR

Documents

CAD Files

3D PDF

3D

Customer View Model

[ENG_CVM_CVM_HPP816E056_A.2d_dxf.zip](#)

English

Customer View Model

[ENG_CVM_CVM_HPP816E056_A.3d_igs.zip](#)



English

Customer View Model

[ENG_CVM_CVM_HPP816E056_A.3d_stp.zip](#)

English

By downloading the CAD file I accept and agree to the [Terms and Conditions](#) of use.

Datasheets & Catalog Pages

[Data sheet TRICAN HTD2800Px11C6V2](#)

English