

Printed Circuit Board Headers

Technical Features

No. of Positions:

18 Positions

Housing Material:

PBT GF30

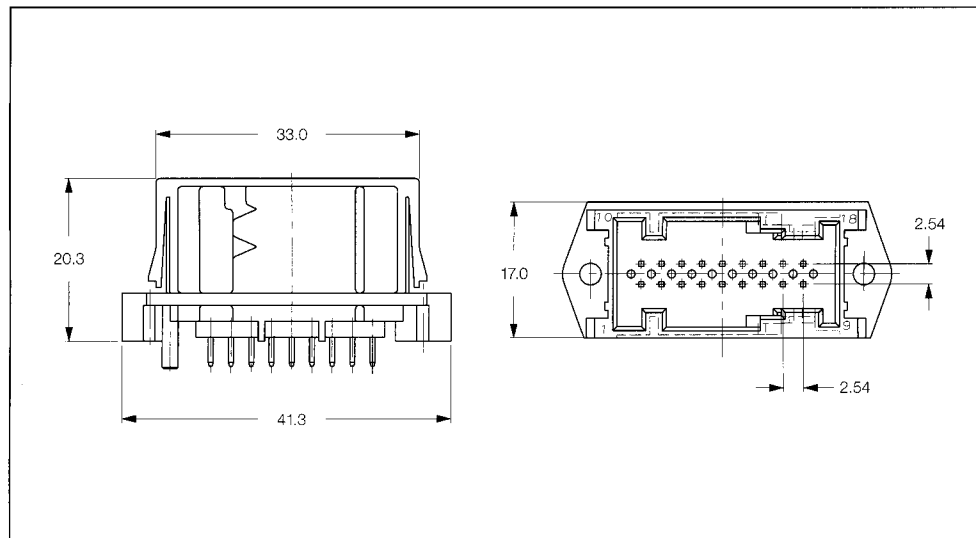
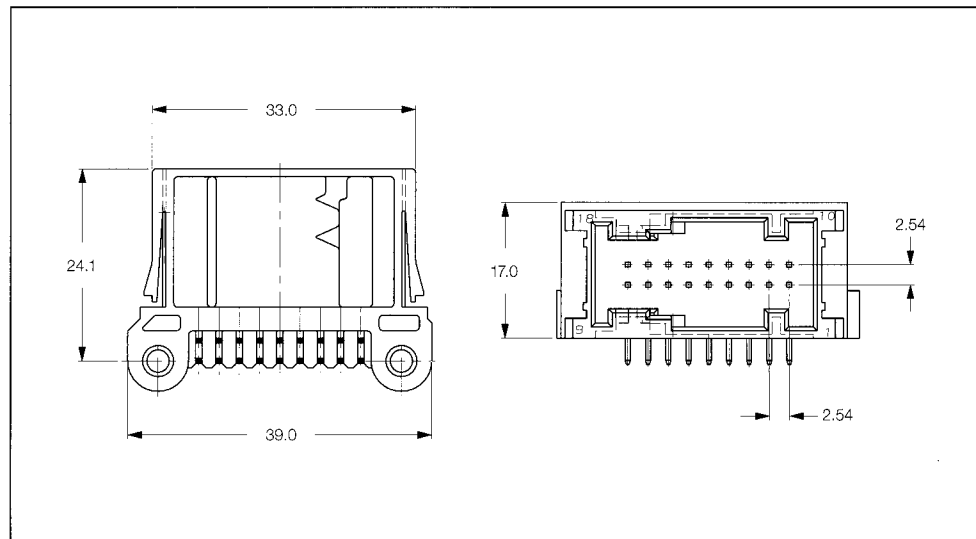
Material and Finish:

CuFe, tin plated

Product Specification:

108-18214

Application Specification:



18 Position PCB Headers

No. of Pos.	Keying Options	Housing Color	Part Numbers					
			PCB Header Right-Angle	PCB Header Vertical	Cover	Cover and Lever	Retainer Housing	Mating Receptacle Housing
18	F	Black	1-963539-1	1-963540-1	-	1355350	-	1355348
			1-963539-2	-				