



002

PCB TERMINAL
BLOCKS

081

TERMINAL STRIPS

095

WIRE TO BOARD
CONNECTORS

100

CIRCULAR
CONNECTORS

151

IP68 CONNECTORS

158

INTERFACE
MODULES AND
RELAY BASES

3.5mm pitch pluggable rising clamp terminal blocks

Product overview

- 2-12 pole solid block professional rising clamp terminals
- Moulded in green UL94-V0 flame retardant PA66
- Cable acceptance - 0.32 to 1.3mm² (28-16AWG) solid and stranded cable
- Polarised mouldings
- Pluggable male and female connectors
- Closed headers
- Horizontal and vertical female plug styles
- Anti solder wicking
- Captive screws
- Guided pin alignment
- approved

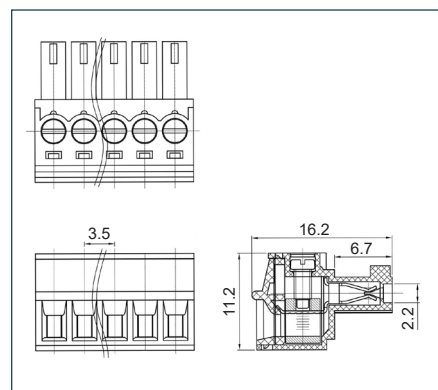
SPECIFICATION

Rating	UL=8A/300V, VDE=10A/250V
Insulation resistance	500M Ω/500V
Withstand voltage	AC2000V/1min
Contact resistance	20mΩ (max)
Working temperature	-40°C to +105°C
Moulding	UL94-V0 flame retardant PA66
Pin/terminal	Tin plated brass
Rising clamp	Brass, nickel plated
Screw/torque	M2 steel, zinc plated 0.2Nm
Recommended PCB hole size	ø1.4mm

Female connector

PART NO.	POLES	LENGTH
CTBP92HD/2	2	7.8mm
CTBP92HD/3	3	11.3mm
CTBP92HD/4	4	14.8mm
CTBP92HD/5	5	18.3mm
CTBP92HD/6	6	21.8mm
CTBP92HD/7	7	25.3mm
CTBP92HD/8	8	28.8mm
CTBP92HD/9	9	32.3mm
CTBP92HD/10	10	35.8mm
CTBP92HD/11	11	39.3mm
CTBP92HD/12	12	42.8mm

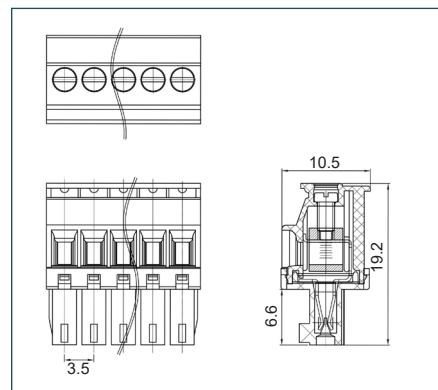
CTBP92HD



Female vertical connector (standard)

PART NO.	POLES	LENGTH
CTBP92VD/2S	2	7.8mm
CTBP92VD/3S	3	11.3mm
CTBP92VD/4S	4	14.8mm
CTBP92VD/5S	5	18.3mm
CTBP92VD/6S	6	21.8mm
CTBP92VD/7S	7	25.3mm
CTBP92VD/8S	8	28.8mm
CTBP92VD/9S	9	32.3mm
CTBP92VD/10S	10	35.8mm
CTBP92VD/11S	11	39.3mm
CTBP92VD/12S	12	42.8mm

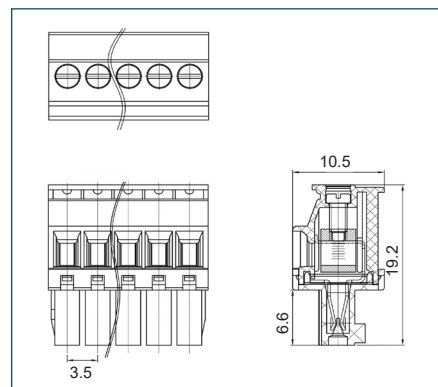
CTBP92VD S



Female vertical connector (reversed)

PART NO.	POLES	LENGTH
CTBP92VD/2R	2	7.8mm
CTBP92VD/3R	3	11.3mm
CTBP92VD/4R	4	14.8mm
CTBP92VD/5R	5	18.3mm
CTBP92VD/6R	6	21.8mm
CTBP92VD/7R	7	25.3mm
CTBP92VD/8R	8	28.8mm
CTBP92VD/9R	9	32.3mm
CTBP92VD/10R	10	35.8mm
CTBP92VD/11R	11	39.3mm
CTBP92VD/12R	12	42.8mm

CTBP92VD R

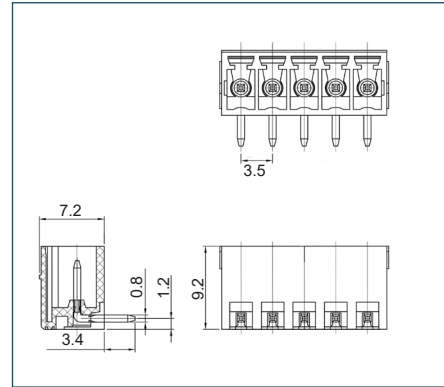




PCB mounting male horizontal connector (closed ended)

PART NO.	POLES	LENGTH
CTBP93HD/2	2	8.4mm
CTBP93HD/3	3	11.9mm
CTBP93HD/4	4	15.4mm
CTBP93HD/5	5	18.9mm
CTBP93HD/6	6	22.4mm
CTBP93HD/7	7	25.9mm
CTBP93HD/8	8	29.4mm
CTBP93HD/9	9	32.9mm
CTBP93HD/10	10	36.4mm
CTBP93HD/11	11	39.9mm
CTBP93HD/12	12	43.4mm

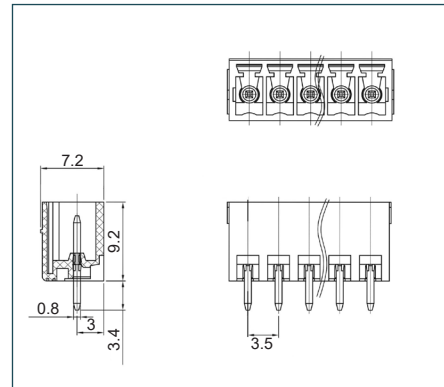
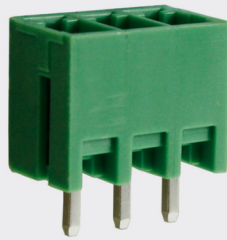
CTBP93HD



PCB mounting male vertical connector (closed ended)

PART NO.	POLES	LENGTH
CTBP93VD/2	2	8.4mm
CTBP93VD/3	3	11.9mm
CTBP93VD/4	4	15.4mm
CTBP93VD/5	5	18.9mm
CTBP93VD/6	6	22.4mm
CTBP93VD/7	7	25.9mm
CTBP93VD/8	8	29.4mm
CTBP93VD/9	9	32.9mm
CTBP93VD/10	10	36.4mm
CTBP93VD/11	11	39.9mm
CTBP93VD/12	12	43.4mm

CTBP93VD



ASSOCIATED PRODUCTS

CTB92HD, CTB92VD S and CTBP92VD R can be replaced with a screwless type terminal block for a reduced assembly time.

CSTBP92HD - page 77