

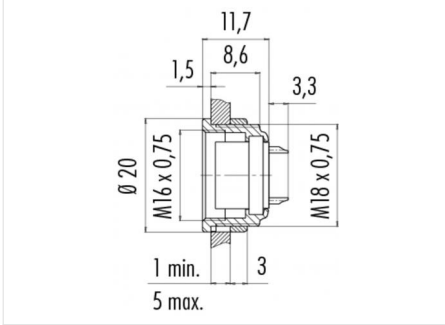
Product description **Contacts: 16, female panel mount connector, solder, 12 - 19 contacts, gold plated contacts**

Area **M16 IP40 Series 581/ 680/ 682**
 Order number **09 0340 00 16**

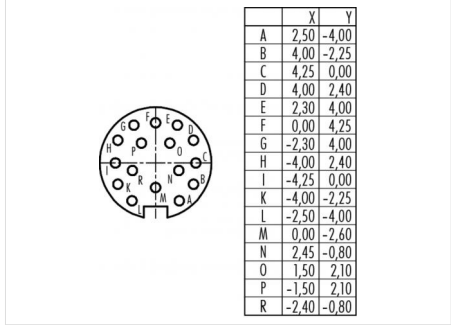
Illustration



Scale drawing



Contact arrangement



You can find the assembly instructions on the next page.

Technical data

General values

Connector design	female panel mount connector
Connector locking system	bolted
Termination	solder
Wire gauge (mm)	0,25 mm ²
Wire gauge (AWG)	24
Upper limit temperature	85 °C
Lower limit temperature	-40 °C

Electrical values

Rated voltage	60 V
Rated impulse voltage	500 V
Pollution degree	1
Overvoltage category	I
Insulating material group	III
Rated current (40 °C)	3 A
Volume resistivity	≤ 3 mΩ
EMC compliance	Shielding is not possible
Degree of protection	IP40
Mechanical operation	> 500 Mating cycles

Material

Contact material	CuSn (bronze)
Contact plating	Au (gold)
Contact body material	PBT (UL 94 V-0)

Product description

Contacts: 16, female panel mount connector, solder, 12 - 19 contacts, gold plated contacts

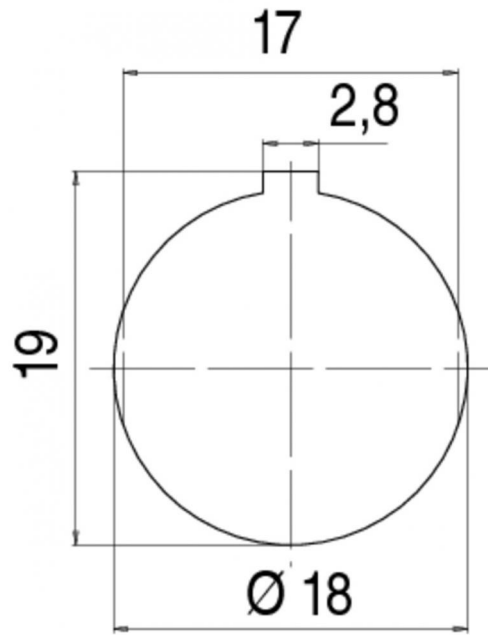
Area

M16 IP40 Series 581/ 680/ 682

Order number

09 0340 00 16

Assembly instructions / Panel cut-out



Product description	Contacts: 16, female panel mount connector, solder, 12 - 19 contacts, gold plated contacts
Area	M16 IP40 Series 581/ 680/ 682
Order number	09 0340 00 16

Sicherheitshinweise

The connectors are designed for use in plant, control system and electrical equipment. The end user is responsible for checking whether the connectors are suitable for use in other applications.