



5.08mm pitch pluggable screwless terminal blocks

Product overview

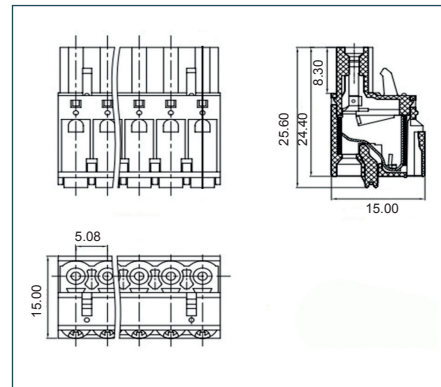
- 2-12 pole solid block
- Screwless connectivity
- Moulded in green UL94-V0, flame retardant PA66
- Cable acceptance - 0.08 - 2.08mm² (28-14 AWG) solid and stranded cable
- Compatible with all 5.08 pluggable male headers
- Pluggable female connectors
- Polarised mouldings
-   approved

SPECIFICATION

| | |
|-----------------------|-------------------------------|
| Rating | UL=10A/300V, IEC=20A/450V |
| Insulation resistance | 500M Ω /500V |
| Withstand voltage | AC2000V/1min |
| Contact resistance | 20m Ω (max) |
| Working temperature | -40°C to +105°C |
| Moulding | UL94-V0, flame retardant PA66 |
| Spring | Stainless steel |
| Contact | Bronze, Ni plated |

| PART NO. | POLES | LENGTH |
|--------------|-------|--------|
| CSTBP9208/2 | 2 | 10.8mm |
| CSTBP9208/3 | 3 | 15.8mm |
| CSTBP9208/4 | 4 | 20.9mm |
| CSTBP9208/5 | 5 | 26.0mm |
| CSTBP9208/6 | 6 | 31.1mm |
| CSTBP9208/7 | 7 | 36.2mm |
| CSTBP9208/8 | 8 | 41.2mm |
| CSTBP9208/9 | 9 | 46.3mm |
| CSTBP9208/10 | 10 | 51.4mm |
| CSTBP9208/11 | 11 | 56.5mm |
| CSTBP9208/12 | 12 | 61.6mm |

CSTBP9208



081

TERMINAL STRIPS

095

WIRE TO BOARD
CONNECTORS

100

CIRCULAR
CONNECTORS

151

IP68 CONNECTORS

158

INTERFACE
MODULES AND
RELAY BASES

ASSOCIATED PRODUCTS

CSTBP9208 mates with male terminal blocks CTB9308 and CTBP9358 open and closed ended versions.

| | | |
|-------------|---|---------|
| CTBP9308 | - | page 66 |
| CTBP9358 | - | page 66 |
| CTBP9308 AO | - | page 66 |
| CTBP9358 AO | - | page 66 |