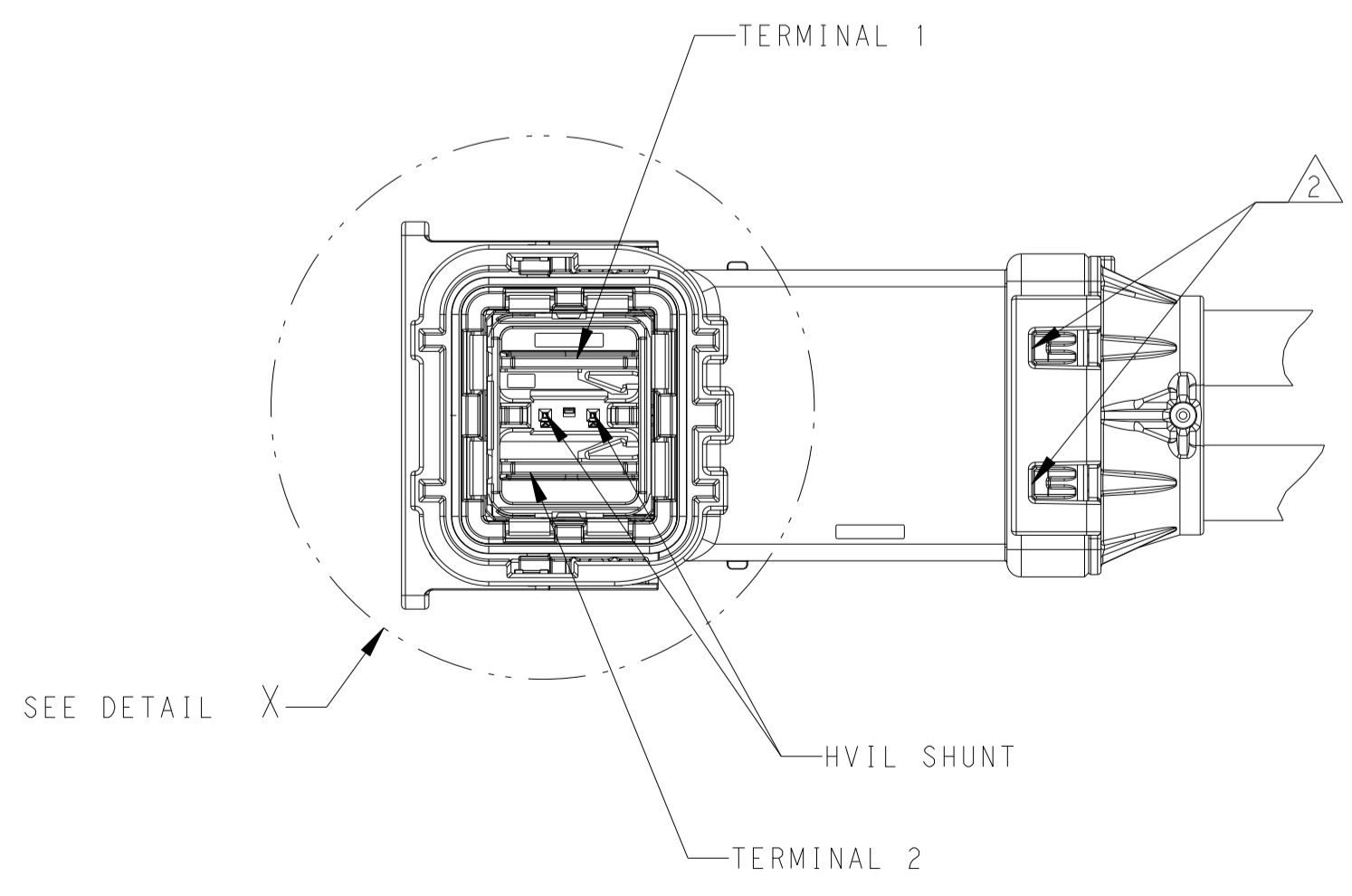
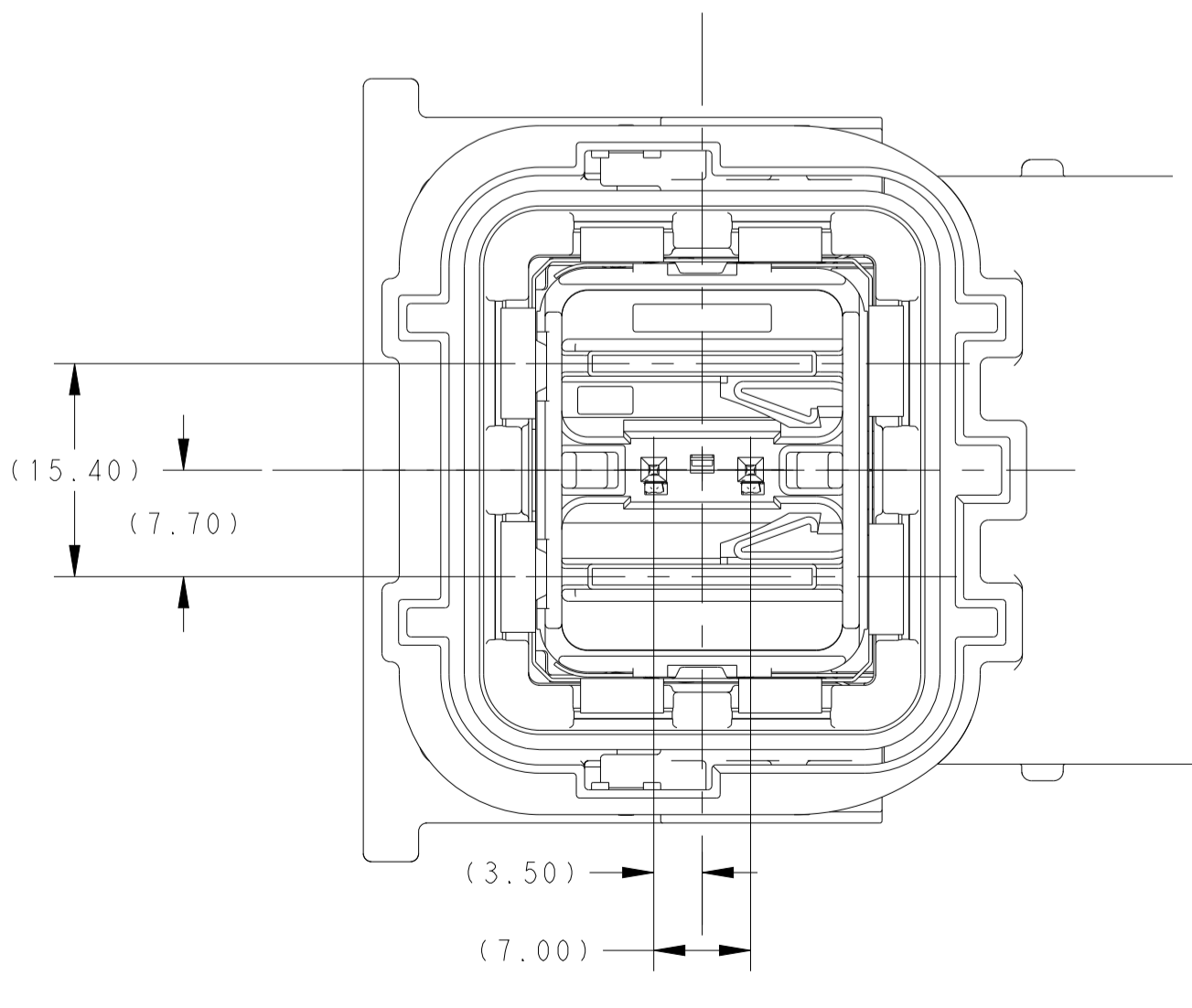
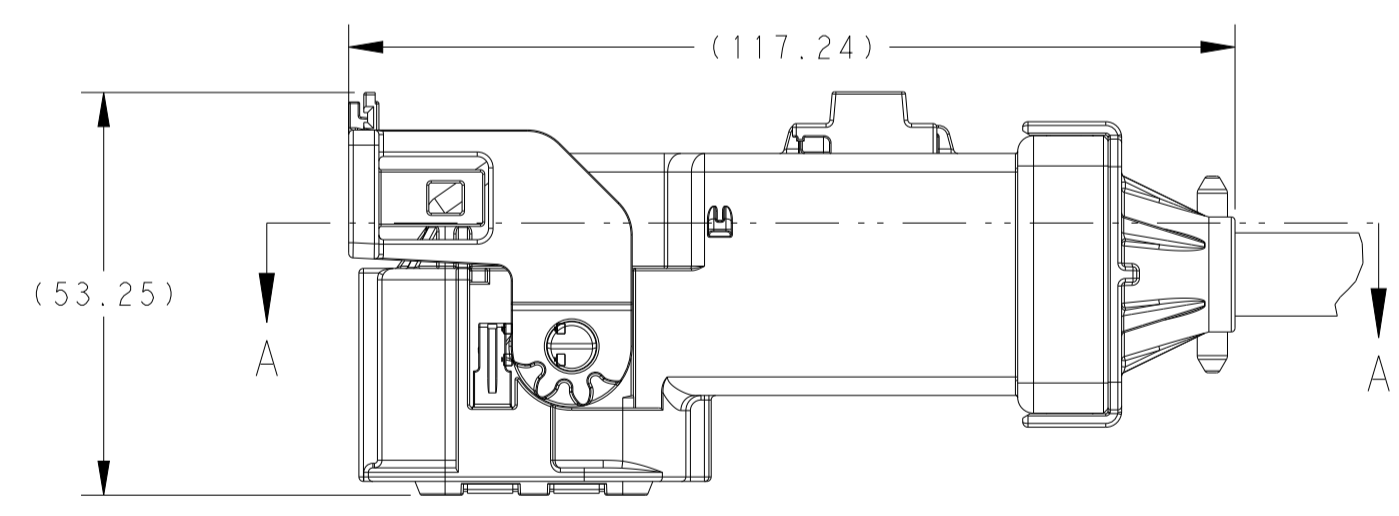
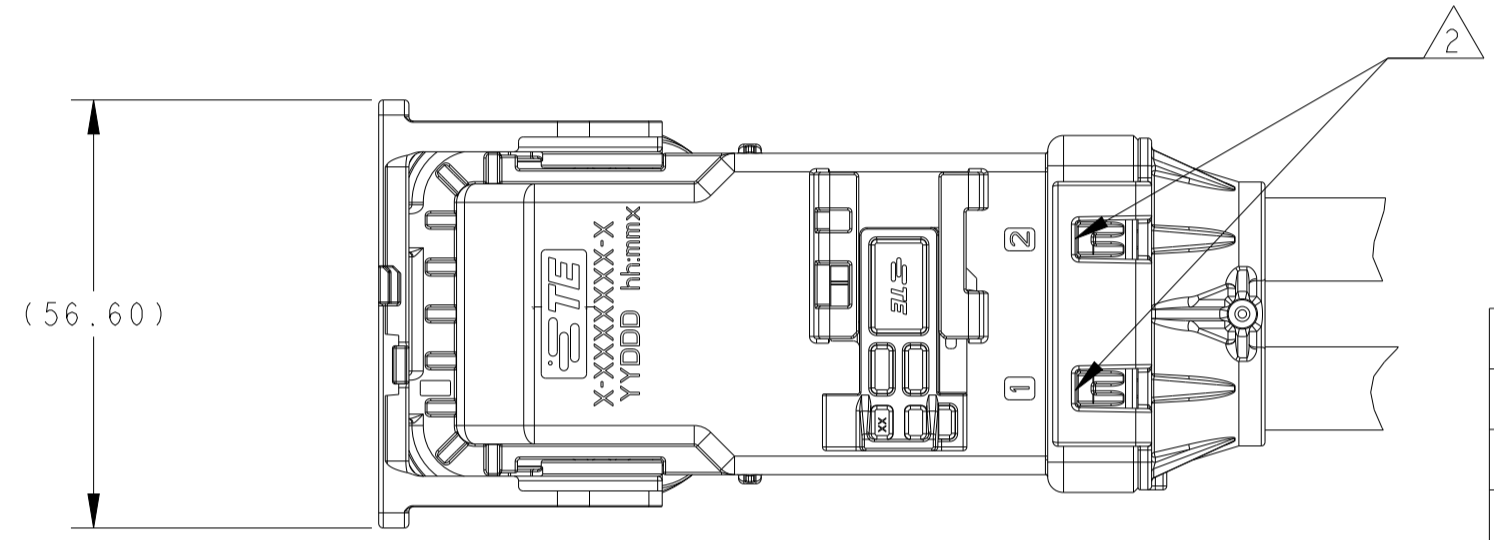
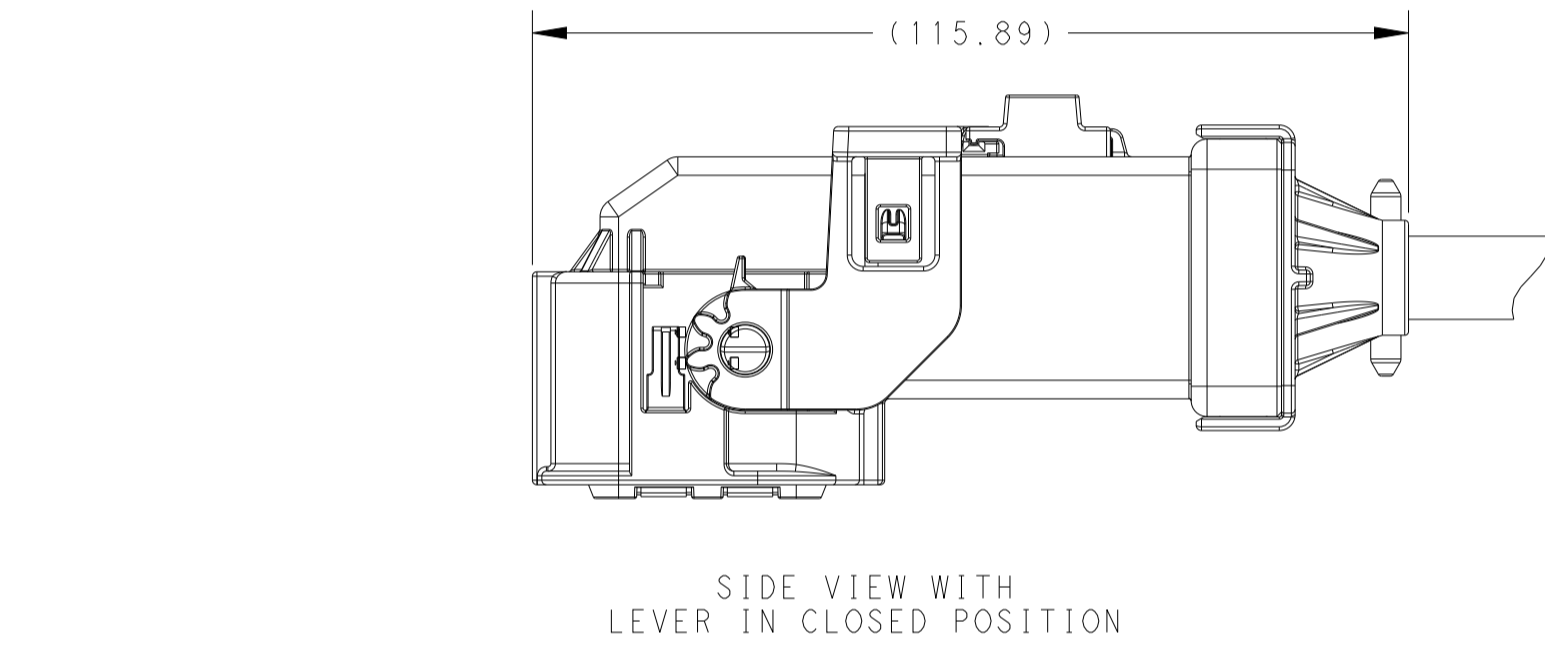


- 1 ALL TERMINALS MUST BE FULLY SEATED AND LOCKED IN POSITION
- 2 SPACER SEAL COVER MUST BE FULLY LOCKED 4 PLACES
- 3 PARTS ARE NOT AVAILABLE BY THESE NUMBERS FULLY ASSEMBLED AS SHOWN. FINAL ASSEMBLY REQUIRES INDIVIDUAL COMPONENTS OR SUB-ASSEMBLIES LISTED IN THE PARTS LIST AND AVAILABLE SEPARATELY FROM TE. CONSULT INDIVIDUAL CUSTOMER DRAWINGS FOR PART RELEASE STATUS
- 4 THIS COMPONENT COMBINATION HAS NOT COMPLETED VALIDATION TESTING
- 5 UNLESS OTHERWISE SPECIFIED VIEWS ARE SHOWN WITH THE LEVER AND CPA IN THE OPEN POSITION
- 6 PRELIMINARY, NOT FOR PRODUCTION



QTY REQ PER ASSY	QTY REQ PER ASSY	QTY REQ PER ASSY	QTY REQ PER ASSY	TE PART NO	DESCRIPTION	ITEM NO
-	1	1	-	2329023-1	COVER, SPACER SEAL, SIZE 1 (ORANGE)	8
-	-	-	1	2354131-1	COVER, SPACER SEAL, SIZE 3 (GRAY)	8
1	1	1	-	2840712-1	COLLET, SIZE 1 (BLACK)	7
-	-	-	1	2354130-1	COLLET, SIZE 3 (GRAY)	7
-	-	-	1	2356586-1	SPACER SEAL	6
1	1	-	-	2840571-1	SPACER SEAL	6
-	-	-	1	2369835-1	SPACER SEAL	6
2	2	-	-	2840450-1 OR 1-2840450-1	FERRULE, OUTER, SIZE 1	5
-	-	2	-	2840450-1 OR 2406603-1	FERRULE, OUTER, SIZE 1	5
-	-	-	2	2365215-1	FERRULE, OUTER, SIZE 3	4
2	2	2	-	1-2840635-1	FERRULE SLEEVE, SIZE 1	4
-	-	-	2	1-2840635-3	FERRULE SLEEVE, SIZE 3	4
2	2	-	-	2840451-1 OR 1-2840451-1	FERRULE, INNER, SIZE 1	3
-	-	2	-	2840451-1 OR 2406604-1	FERRULE, INNER, SIZE 1	3
-	-	-	2	2365214-1	FERRULE, INNER, SIZE 3	3
2	2	2	2	2840393-1	HV TAB	2
1	1	-	-	X-2840672-1	PLUG SUB-ASSY, KEY A	
-	-	1 OR 1	1 OR 1	X-2840900-1 OR X-2840900-2	PLUG SUB-ASSY, KEY A OR PLUG SUB-ASSY, KEY B	

QTY REQ PER ASSY	QTY REQ PER ASSY	QTY REQ PER ASSY	QTY REQ PER ASSY	TE PART NO	DESCRIPTION	ITEM NO
3-2349157-1	2-2349157-1	1-2349157-1 OR 1-2349157-2	2349157-1 OR 2349157-2		TE REFERENCE NUMBER - THESE NUMBERS ARE FOR REFERENCE ONLY AND ARE NOT FOR SALE	
A	A	A OR B	A OR B		KEY INDEX	
GEBAUER & GRILLER X8663	COROPLAST 9-2611(FLR2GCB2G)	CHAMPLAIN 15-08403-XXX COF ICAB FHLR91XCB91X	CHAMPLAIN 15-08126-XXX COF ICAB FHLR91XCB91X		CABLE SUPPLIER/SPECIFICATION	
50mm ² Al	50mm ² Cu	50mm ² Cu	25mm ² Cu		CABLE SIZE	

REVISIONS					
P	LTM	DESCRIPTION	DATE	DWN	APVD
A		INITIAL RELEASE	21FEB2020	PK	TD
A1		ECN-21-101658	30MAR2021	PK	YS
A2		ECN-23-214238	23MAY2023	PK	PK

THIS DRAWING IS A CONTROLLED DOCUMENT.

OWN: P. KOLHAIKAR 21FEB2020
CHK: T. DEWITTE 21FEB2020
APVD: T. DEWITTE 21FEB2020

DIMENSIONS: mm
TOLERANCES UNLESS OTHERWISE SPECIFIED:
0 PLC ±
1 PLC ±
2 PLC ±
3 PLC ±
4 PLC ±
ANGLES ±

MATERIAL: FINISH

WEIGHT: 114-162001
CUSTOMER DRAWING

NAME: PLUG ASSEMBLY HC-STAK 25-2PHI REFERENCE DRAWING
SIZE: 108-160108
CAGE CODE: 114-162001
DRAWING NO: 00779C=2349157

SCALE: 1:1 SHEET 1 OF 1 REV A2