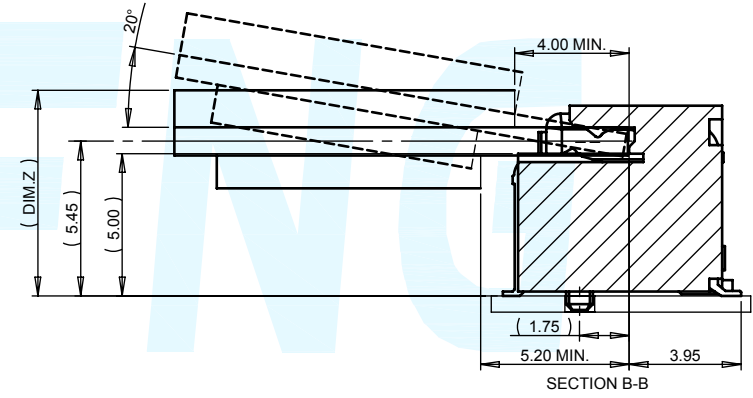
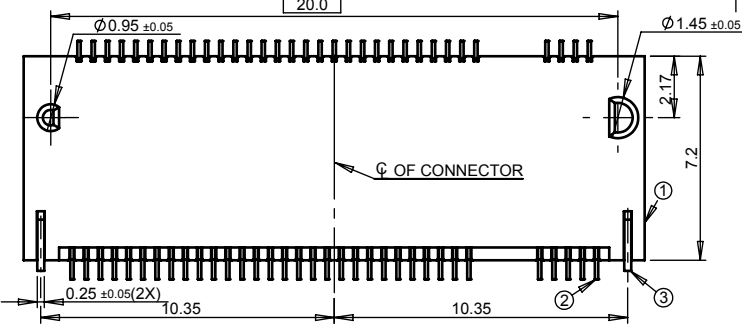
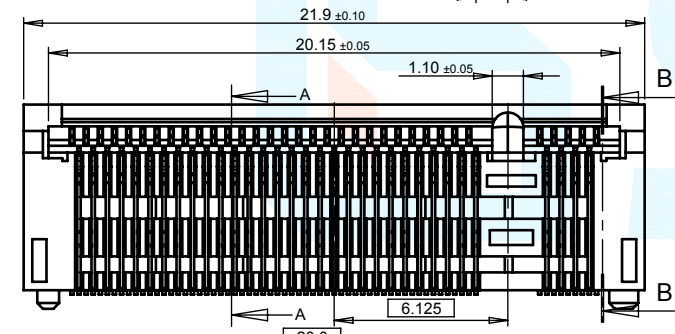
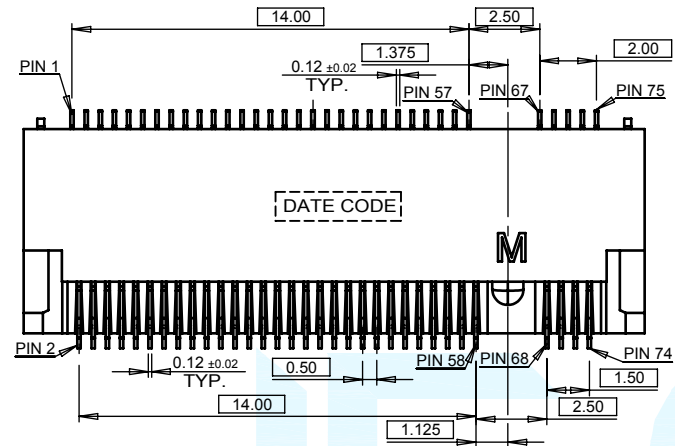


SOLIDWORK GENERATED DRAWING, DON'T CHANGE BY HAND

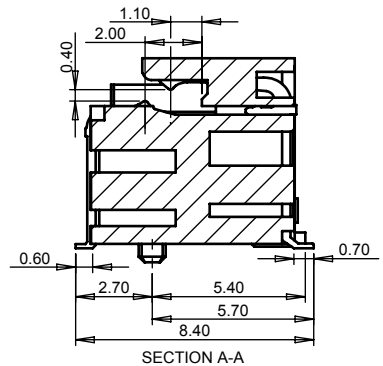
REVISION			
LTR	DESCRIPTION	DATE	APP
A0	NEW RELEASE	08/27/2021	PECK

**NOTES:**

- ELECTRICAL CHARACTERISTICS:**
  - 1.1 CONTACT CURRENT RATING: 0.5 AMPERE MAX. PER PIN.
  - 1.2 VOLTAGE RATING: 50V AC.
  - 1.3 INSULATION RESISTANCE :500 MEGAOHMS MIN. AT 500V DC.
  - 1.4 DIELECTRIC WITHSTANDING VOLTAGE: 300V AC RMS AT 60Hz, FOR 1 MINUTE.
  - 1.5 CONTACT RESISTANCE: 55 MILLIOHMS MAX. PER PIN INITIAL.  
20 MILLIOHMS MAX. PER PIN AFTER FULL ENVIRONMENT TESTING.
- MECHANICAL CHARACTERISTICS: DURABILITY: 60 MATING CYCLES.**
- OPERATION TEMPERATURE: -40 °C TO +80 °C.**
- RECOMMENDED PROCESS CONDITION: SMT, PEAK TEMPERATURE: 260 °C, 10~20S.**
- PLEASE CONTACT FOXCONN SALES REPRESENTATIVE TO VERIFY PRODUCT DETAIL & AVAILABILITY.**



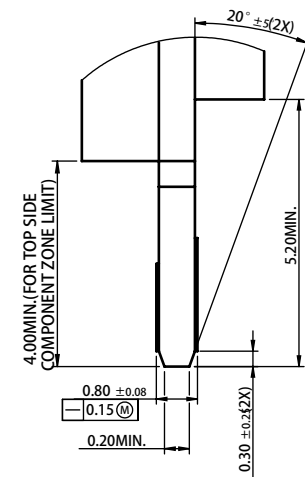
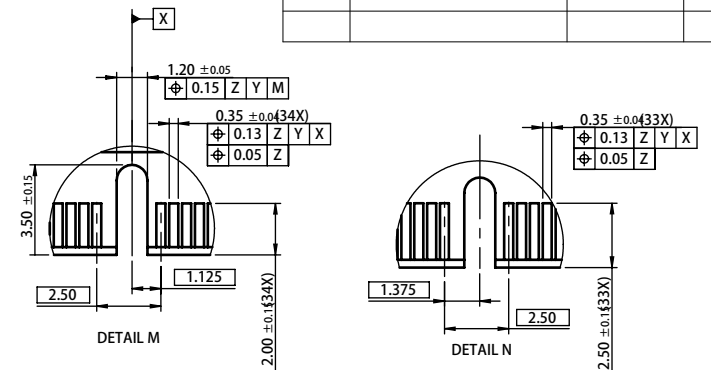
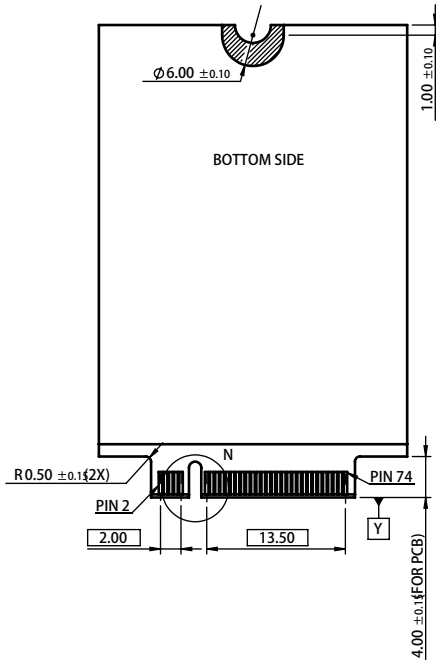
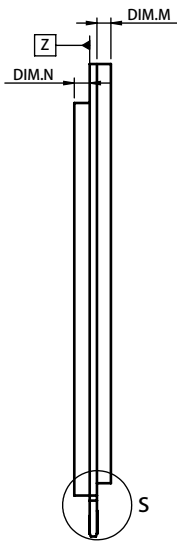
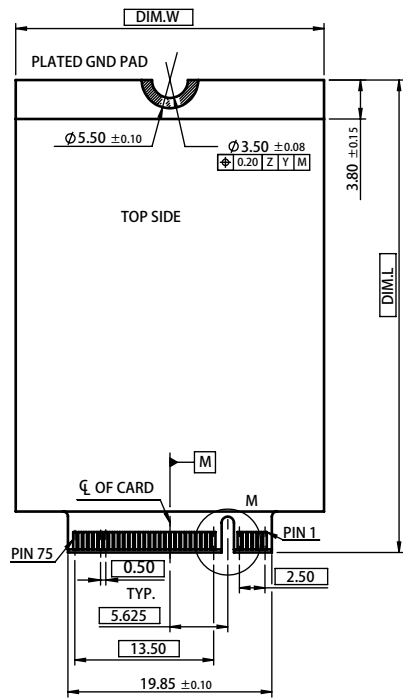
H
2.0mm
3.0mm
4.2mm
5.8mm
6.7mm
8.5mm



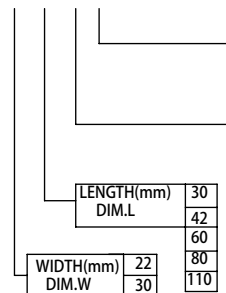
ITEM	DESCRIPTION	MATERIAL	QTY	TREATMENT
④	PI-FILM	POLYIMIDE	1	BROWN COLOR
③	METAL TAB	STAINLESS STEEL (SUS301)	2	10u" NICKEL UNDER PLATING 100u" MATTE TIN PLATING OVER ALL
②	CONTACT	PHOSPHOR BRONZE (C5210R-SH)	67	50u" NICKEL UNDER PLATING GOLD FLASH PLATING AT TAIL AREA GOLD FLASH OR 5u" GOLD PLATING OR 15u" GOLD PLATING OR 30u" GOLD PLATING OR AT CONTACT AREA
1	HOUSING	LCP (6808)	1	UL94V-0, HALOGEN FREE, BLACK COLOR

DIMENSION CLASSIFICATION		TITLE		TREATMENT	
■	: CRITICAL	台灣碩方精密電子科技有限公司		TAIWAN SOFNG PRECISION ELECTRONIC CO., LTD	
☒	: MAJOR	PCIE-67M67H		開關, 連接器	
TOLERANCE TABLE		67PIN-PCI-E-CONNECTORS		SOFNG	
.X	± 0.40	PART NO.	PCIE-67M67H	SERIES	SD106
.XX	± 0.25	APPROVED	Peck	DWG NO.	PCIE-67P42H
.XXX	± 0.10	CHECKED	Paul	SCALE 1:1	UNIT mm SIZE A4
ANGLE	± 2°	DRAWIN	David	REV AO	SHEET NO. 1/3

REVISION			
LTR	DESCRIPTION	DATE	APP
AO	NEW RELEASE	08/27/2021	PECK



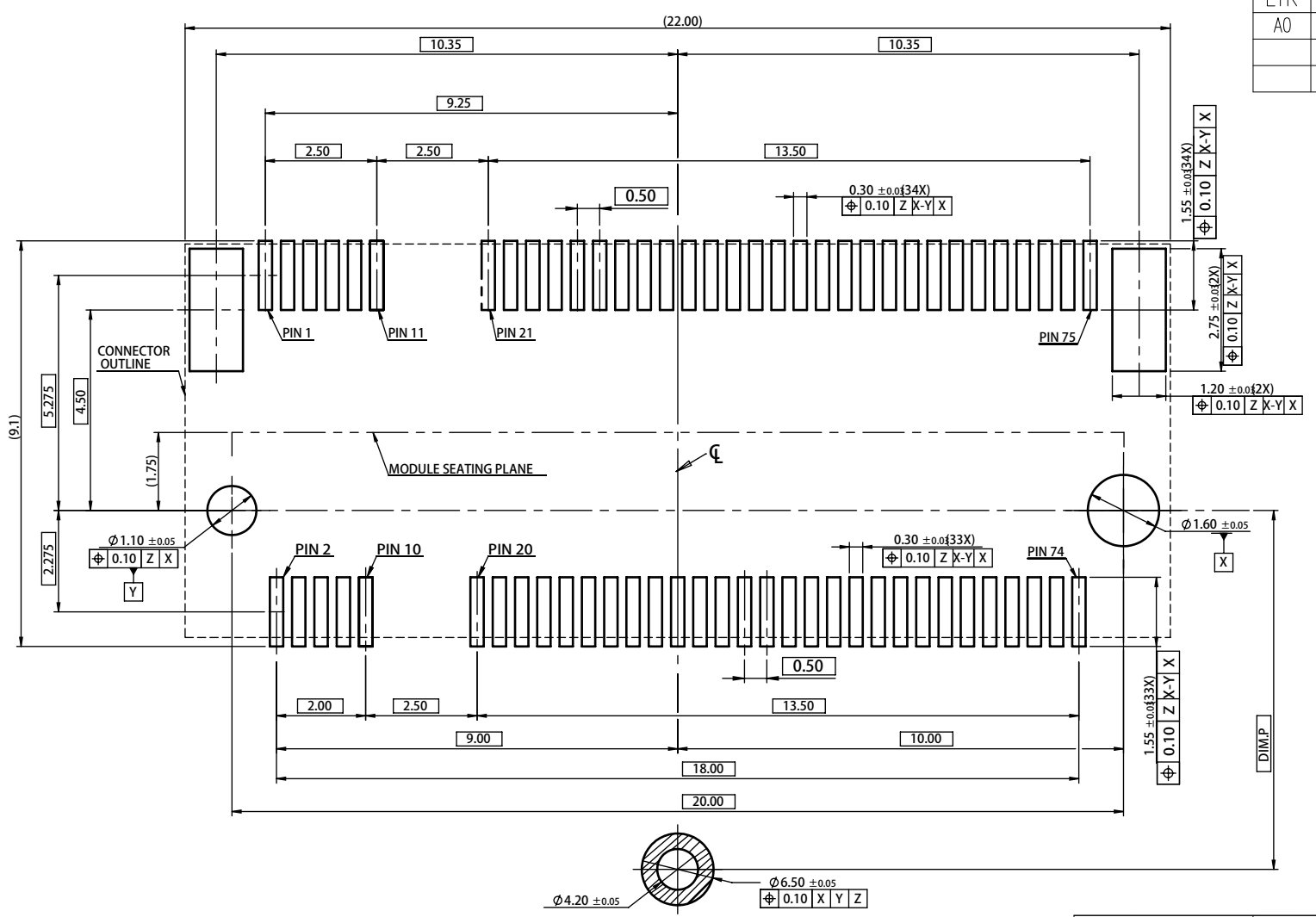
TYPE XX XX-XX-X



KEY ID

COMPONENT MAX HEIGHT(mm)		
TYPE	DIM.N	DIM.M
S1	1.2	0
S2	1.35	0
S3	1.5	0
S4	1.75	0
S5	2.0	0
D1	1.2	1.35
D2	1.35	1.35
D3	1.5	1.35
D4	1.5	0.7
D5	1.5	1.5


DIMENSION CLASSIFICATION		台灣碩方精密電子科技有限公司 TAIWAN SOFNG PRECISION ELECTRONIC CO., LTD		開關, 連接器 <b>SOFNG</b>	
<input type="checkbox"/> : CRITICAL <input checked="" type="checkbox"/> : MAJOR		TITLE	PCIE-67P42H	SERIES SD106	
TOLERANCE TABLE		PART NO.	SOF-G006	APPROVED	Peck
.X	$\pm 0.40$	DWG NO.	PCIE-67P42H	CHECKED	Paul
.XX	$\pm 0.25$	SCALE	1:1	UNIT	mm
.XXX	$\pm 0.10$	REV	AO	SIZE	A4
ANGLE	$\pm 2^\circ$	DRAWIN	David	SHEET NO.	2/3



REVISION			
LTR	DESCRIPTION	DATE	APP
AO	NEW RELEASE	08/27/2021	PECK

22110	108.25
2280	78.25
2260	58.25
2242	40.25
2230	28.25
3042	40.25
3030	28.25
TYPE	DIM.P

DATUM Z IS THE PCB SOLDER SURFACE

DIMENSION CLASSIFICATION		台灣碩方精密電子科技有限公司		
■ : CRITICAL ☒ : MAJOR		TAIWAN SOFNG PRECISION ELECTRONIC CO., LTD		
TOLERANCE TABLE		TITLE	PCIE-67P42H	
.X	± 0.40	PART NO.	SOF-G006	
.XX	± 0.25	APPROVED	Peck	DWG NO. PCIE-67P42H
.XXX	± 0.10	CHECKED	Paul	SCALE 1:1 UNIT mm SIZE A4
ANGLE	± 2°	DRAWIN	David	REV AO SHEET NO. 3/3