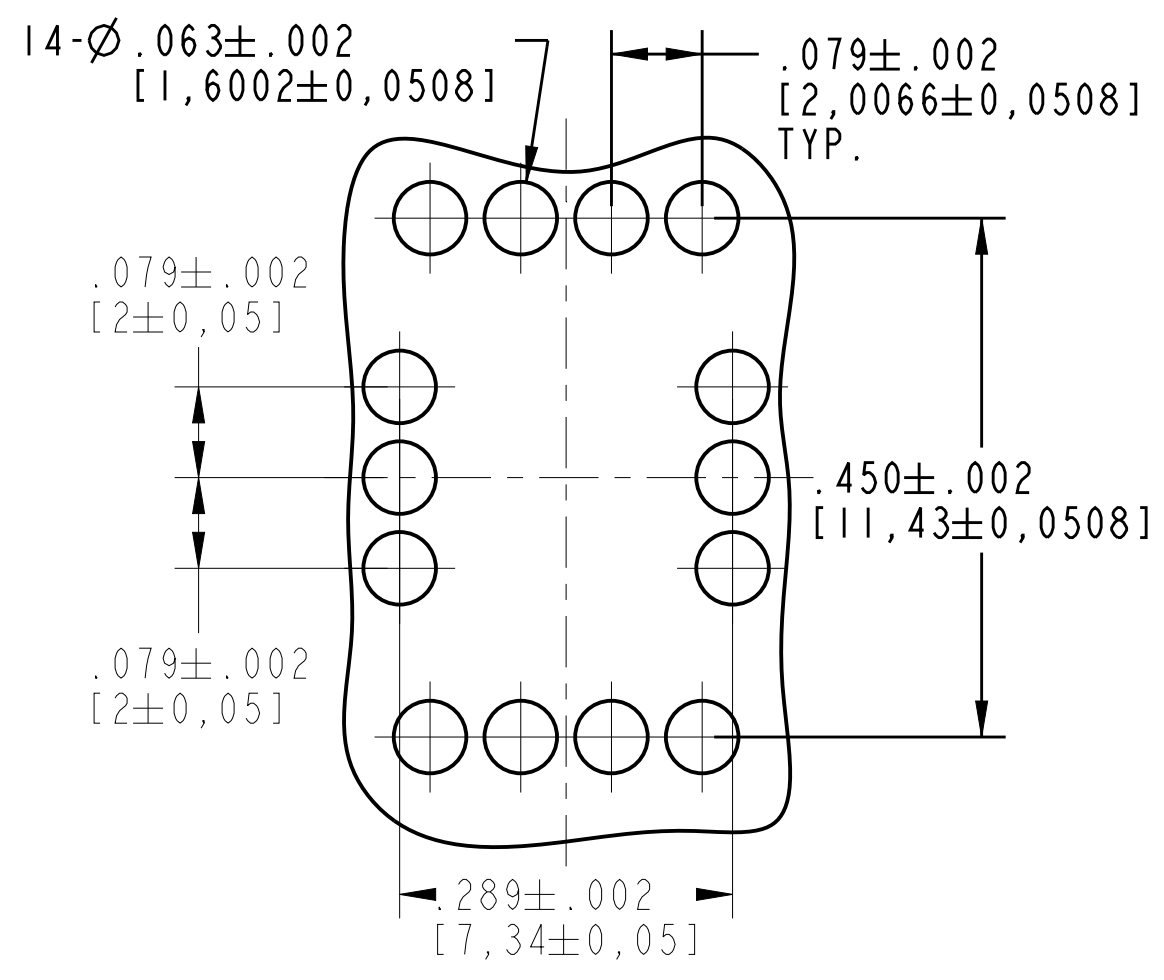
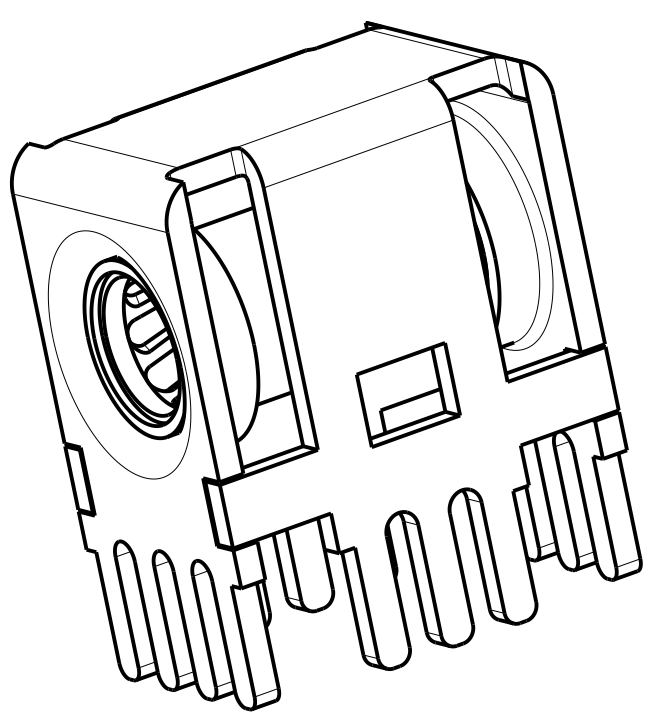


REV. B		SHEET 1 OF 1		DOCUMENT NO. 10-729760-000	
REVISIONS					
REV.	DESCRIPTION	DATE			
A	INITIAL RELEASE	2013-11-7			
B	DESIGN CHANGE	2013-12-06			

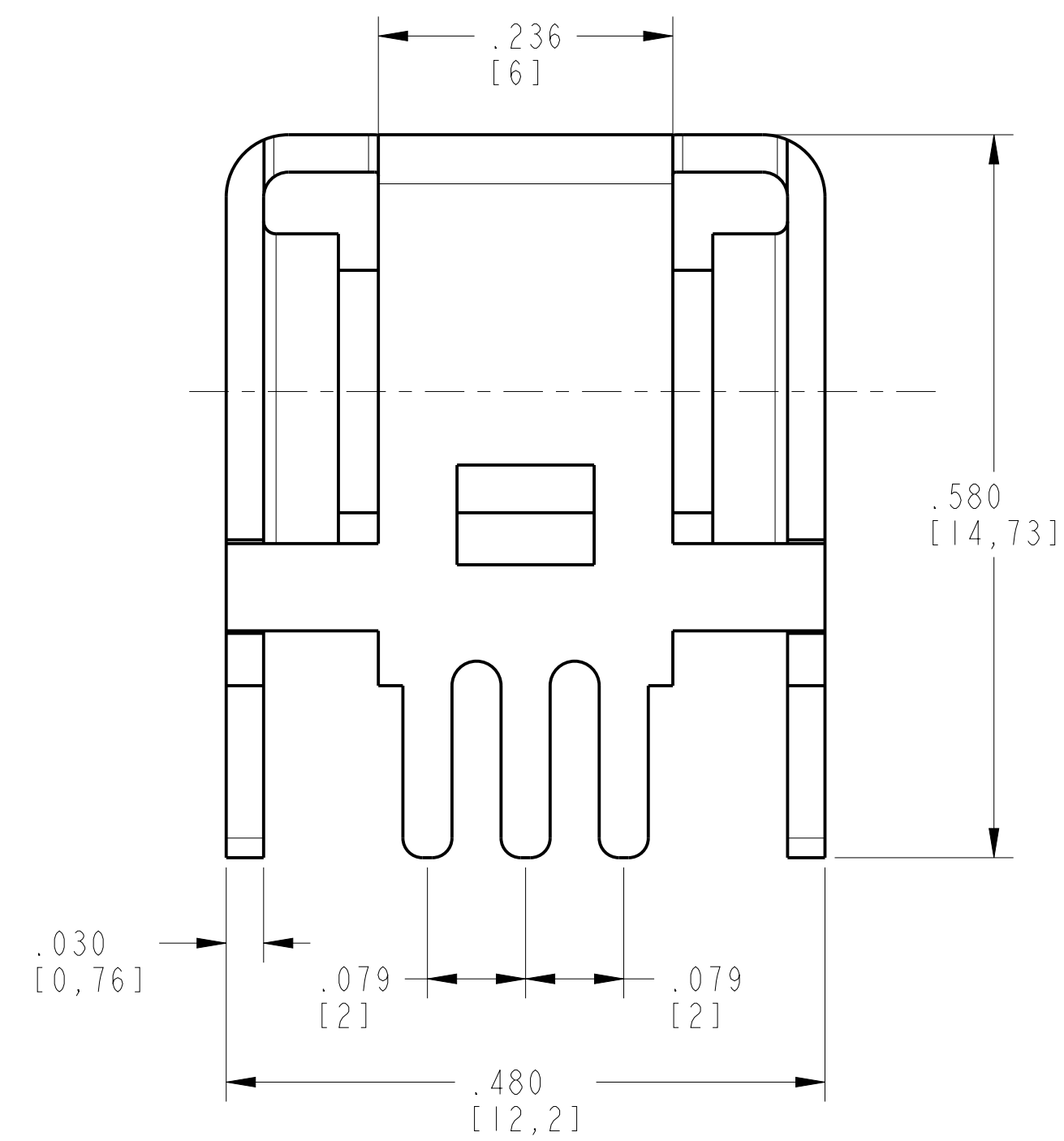
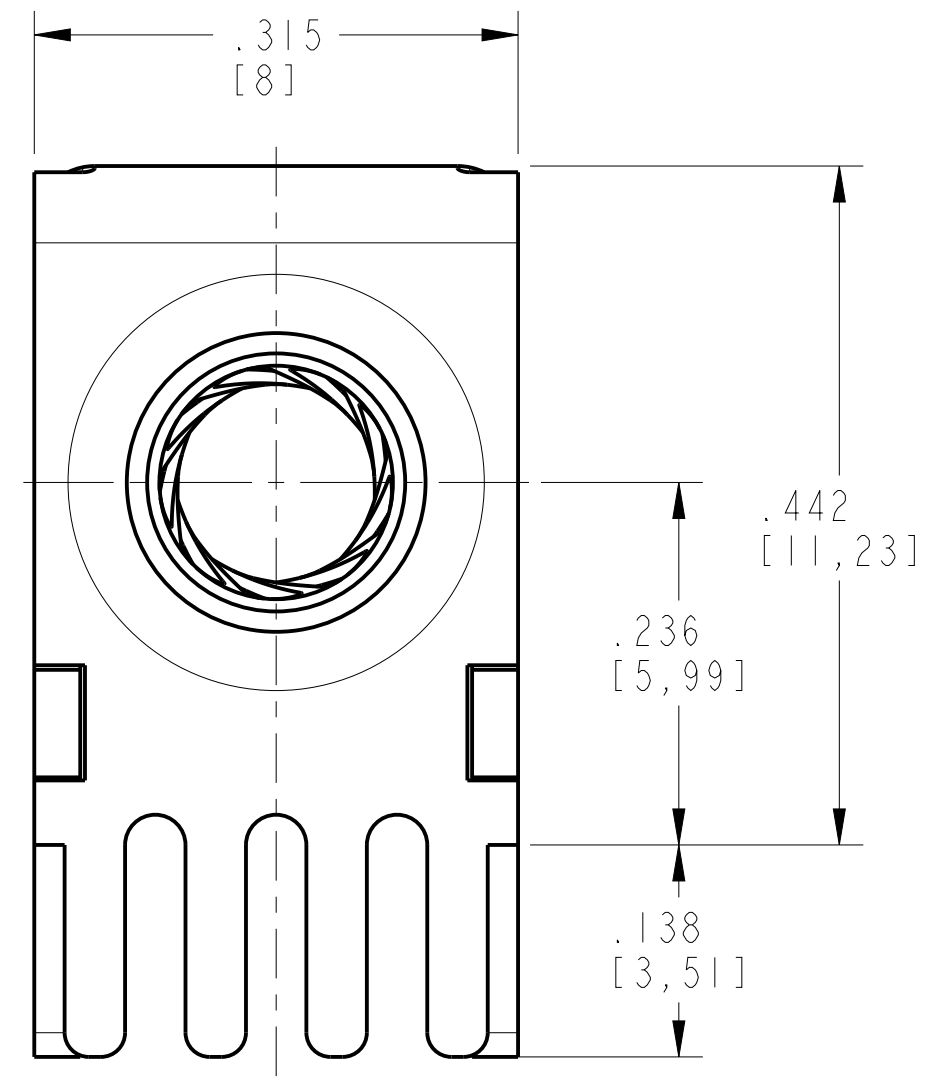
CUSTOMER DRAWING



PCB LAYOUT RECOMMENDATION



SCALE 5.000



2. SPECIFICATION:
- 1) SURFACE FINISH:
CONTACT: SILVER;
HOLDER: Tin.
 - 2) RATED CURRENT: 70A.

1. THE REFERENCED MATERIAL SHALL BE CERTIFIED TO COMPLIANT TO THE 2002/95/EC RoHS DIRECTIVE AMENDED PER 2005/618/EC.

NOTES:

THE USE OF THIS DOCUMENT IS UNLIMITED. HOWEVER, DOCUMENTS REFERENCED HEREON MAY CONTAIN LIMITED RIGHTS DATA.

N/A	PRO/ENGINEER INFORMATION
N/A	Pro/e Model Used: 10-729760-000.ASSEM
N/A	Drawing Name: 10-729760-000-CUS-B
N/A	NEXT ASSEMBLY

UNLESS OTHERWISE SPECIFIED	SPECIFICATIONS	POS	QTY	PART NUMBER	DESCRIPTION	NOTE
LINEAR DIMENSIONS ARE IN INCHES TOLERANCES: .XXXX = ±.0005 ANGLES= ±2° .XXX = ±.010 .XX = ±.03 .X = ±.1	MATERIAL SPEC. N/A -	APPROVALS		DATE	PARTS LIST	
DIM. & TOL. PER ASME Y14.5M; DRM PER MIL-DTL-31000; OTHER Amphenol Sds. PER 9-3800	PROCESS SPEC. N/A -	PREPARED BY	CHRIS LI	07-Nov-13	AMPHENOL CORPORATION 40-60 DELAWARE AVENUE SIDNEY, N.Y. 13838	
LEGENDS: = FLAG NOTE CALL OUT REFERENCE ONLY	ENGINEER IN CHARGE	CHRIS LI				
	DESIGN MANAGER	RAN XIAO			R4 3.6MM RADSOK PCB MOUNT ASSEMBLY	
	DESIGN ACTIVITY GROUP	C & I				
		THIRD ANGLE PROJECTION		SIZE	CAGE CODE	DOCUMENT NO.
				C	77820	10-729760-000
				SCALE: 8.0	REF:	N/A
						SHEET 1 OF 1

DOCUMENT NO. 10-729760-000 SHEET 1 OF 1 REV. B

DOCUMENT NO. 10-729760-000 SHEET 1 OF 1 REV. B