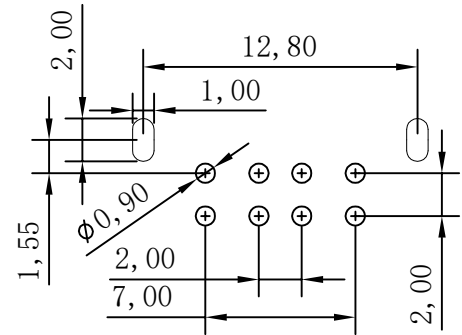
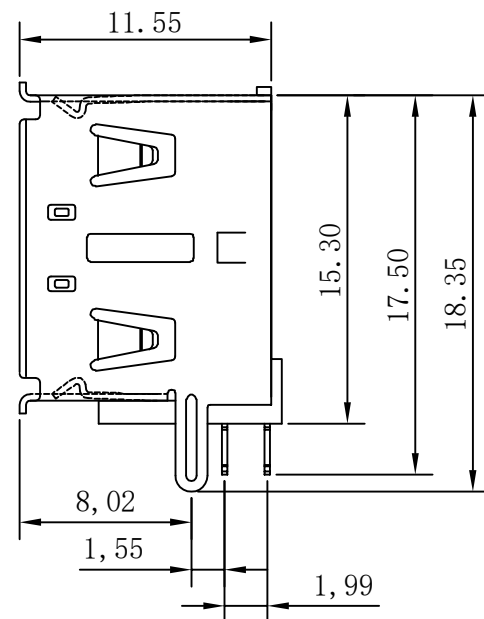
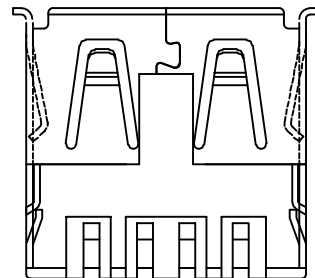
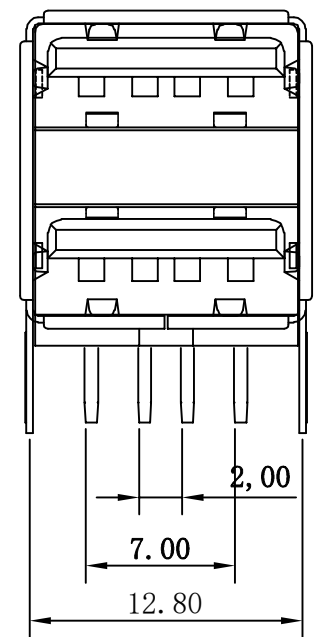
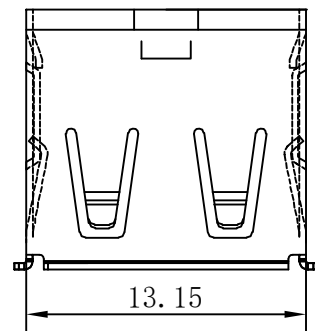


由Autodesk教育版产品制作



Recommended P.C.B Layout
TOLERANCE = ±0.05 THICKNESS = 1.0mm

REV	MARK	修改摘要 REVISION DESCRIPTION	签名 SIGNATURE	日期 DATE
1		NEW DWG		2016-03-12

规格说明: Specifications:

电气特性: Electrical:



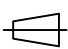
1. 额定电流: Current Rating
1.5A/contact terminal
2. 额定电压: Voltage Rating
30V DC
3. 接触阻抗: Contact Resistance
30 milliohms MAX
4. 耐电压: Dielectric Withstanding Voltage:
500 V AC AT Sea Level
5. 绝缘阻抗: Insulation Resistance:
1000MEGA ohms MIN

原材料: Material:

1. 塑胶: Housing:
High Temperature Thermoplastics,
2. 外壳: Shell: SPCC
Nickel Plating
2. 端子: Contact: Copper Alloy C2680

电镀: Finish:

1. 端子: Contact: Plated Gold in Mating Area;
Tin On Solder Tails

 深圳市华德共创科技有限公司 Shenzhen Huade co-create Technology Co., LTD 电话: 0755-23304126 传真: 0755-29940187		TITLE: 产品名称: USB AF11.5双层卷边白胶						
-TOLERANCES- UNLESS OTHERWISE SPECIFIED 公差参数表		 		PART NO: 产品编号: USB-HXS-107DIP				
X.X	±0.30	X.X*	±3°	APPD: 核准:	DATE	SCALE	UNIT	CODE NUMBER
X.XX	±0.20	X.XX*	±2°	CHECK: 校对: 王建业	2016-03-12	1:1	mm	A001
X.XXX	±0.10	X.XXX*	±1°	DRAW: 绘图: 黄艳兰				

由Autodesk教育版产品制作