



**P/N: H2450G**

- \* Designed to meet IEEE802.3ab requirement
- \* Lead-Free & Designed to meet RoHS requirement
- \* Designed to meet IR 255°C peak Requirement.
- \* Primary inductance 350μH min.
- \* Single Port for NIC Application
- \* Operating temperature range: 0°C to +70°C
- \* Storage temperature range: 0°C to +85°C

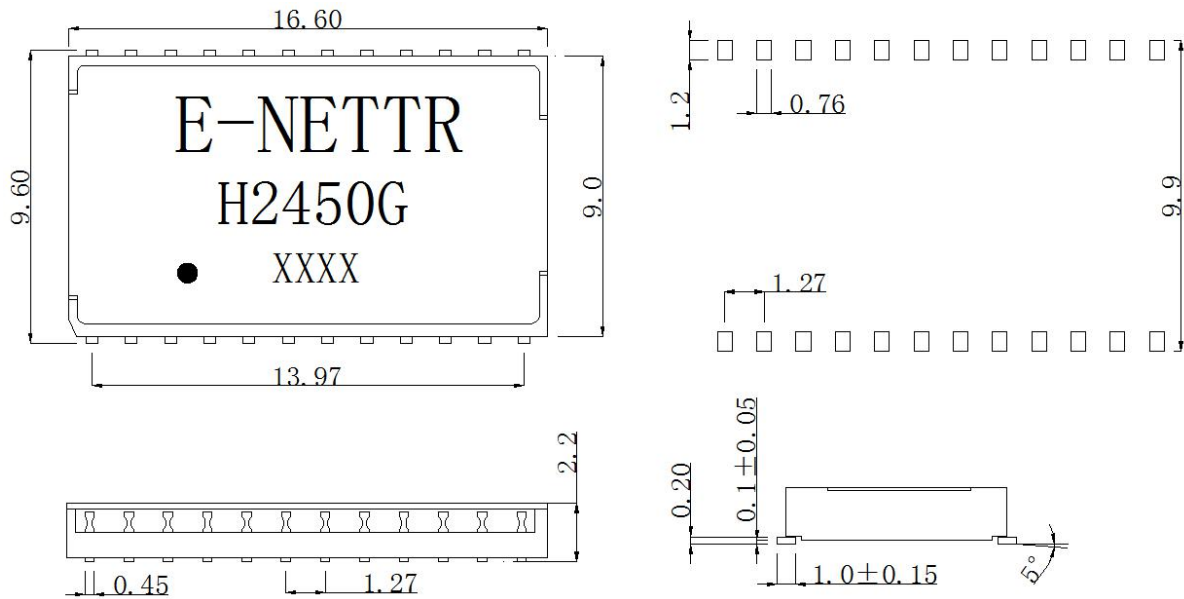
**Electrical Specifications@25° C**

Part Number	Turn Ratio (±3%)	OCL(uH Min) @ 100KHz/0.1V with 8mA DC Bias	L.L (uH Max)	C <sub>w/w</sub> (pF Max)	DCR (Ω Max)	Hi-Pot (Vrms MIN)
H2450G	1CT:1CT	350	0.5	28	1.4	AC1500V /1mA /1S

**Continue**

Part Number	Insertion Loss 0.3~100MHZ (dB Max)	Return Loss (dB Min)			Cross Talk (dB Min)			DCMR (dB Min)		
		0.3-30MH	60MHz	80MHz	30MHz	60MHz	100MHz	30MHz	50MHz	100MHz
H2450G	-1.0	-16	-12	-10	-40	-35	-30	-40	-35	-30

**Mechanical**



Unless otherwise specified tolerances: xx.xo ± 0.25mm  
o.xx ± 0.05mm

**Schematic**

