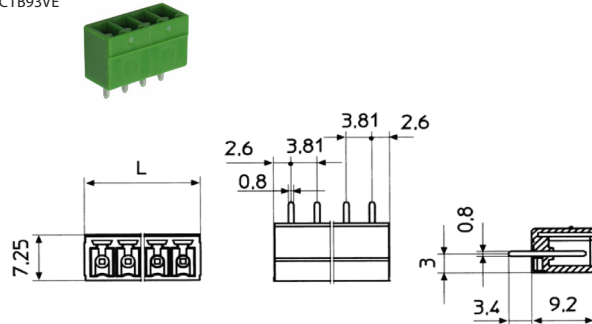


PCB TERMINAL BLOCKS

PCB mounting male vertical (closed ended)

TYPE NO.	POLES	LENGTH	TYPE NO.	POLES	LENGTH
CTB93VE/2	2	9mm	CTB93VE/12	12	47.1mm
CTB93VE/3	3	12.8mm	CTB93VE/13	13	50.9mm
CTB93VE/4	4	16.6mm	CTB93VE/14	14	54.7mm
CTB93VE/5	5	20.4mm	CTB93VE/15	15	58.5mm
CTB93VE/6	6	24.3mm	CTB93VE/16	16	62.4mm
CTB93VE/7	7	28.1mm	CTB93VE/17	17	66.2mm
CTB93VE/8	8	31.9mm	CTB93VE/18	18	70mm
CTB93VE/9	9	35.4mm	CTB93VE/19	19	73.8mm
CTB93VE/10	10	39.5mm	CTB93VE/20	20	77.6mm
CTB93VE/11	11	43.3mm			

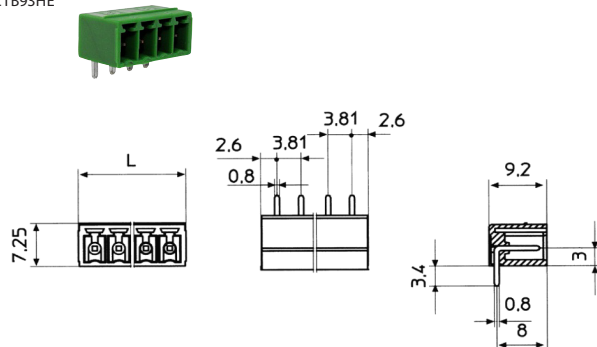
CTB93VE



PCB mounting male horizontal (closed ended)

TYPE NO.	POLES	LENGTH	TYPE NO.	POLES	LENGTH
CTB93HE/2	2	9mm	CTB93HE/12	12	47.1mm
CTB93HE/3	3	12.8mm	CTB93HE/13	13	50.9mm
CTB93HE/4	4	16.6mm	CTB93HE/14	14	54.7mm
CTB93HE/5	5	20.4mm	CTB93HE/15	15	58.5mm
CTB93HE/6	6	24.3mm	CTB93HE/16	16	62.4mm
CTB93HE/7	7	28.1mm	CTB93HE/17	17	66.2mm
CTB93HE/8	8	31.9mm	CTB93HE/18	18	70mm
CTB93HE/9	9	35.4mm	CTB93HE/19	19	73.8mm
CTB93HE/10	10	39.5mm	CTB93HE/20	20	77.6mm
CTB93HE/11	11	43.3mm			

CTB93HE



PCB
TERMINAL
BLOCKS

INTER-
CONNECTION

FUSES &
FUSE-
HOLDERS

LEDs &
INDICATORS

MINIATURE
SWITCHES

LIMIT &
SAFETY
SWITCHES

CONTROL
PRODUCTS

INTERFACE
MODULES &
SUPPORTS

RELAY
BASES

DIN RAIL
ENCLOSURES

BATTERIES

SOLAR
PANELS

TRANS-
FORMERS