

Lisa2 Lisa2-Clip16-OSL series



Ordering number	FA11081		
Description	FA11081_Lisa2-M-clip16-OSL		
Family	Lisa2	FWHM	23 degrees
Type	Assembly	Efficiency	90
LED	Oslon SSL 80	cd/lm	-
Color	Black	Gerber File	Available
Diameter	9.9 mm		
Height	7 mm		
Style	Round		
Optic Material	PMMA		
Holder Material	PC		
Fastening	Tape, glue		
Status	Ready		



Ordering number	FA11082		
Description	FA11082_Lisa2-W-clip16-OSL		
Family	Lisa2	FWHM	31 degrees
Type	Assembly	Efficiency	90
LED	Oslon SSL 80	cd/lm	-
Color	Black	Gerber File	Available
Diameter	9.9 mm		
Height	7 mm		
Style	Round		
Optic Material	PMMA		
Holder Material	PC		
Fastening	Tape, glue		
Status	Ready		



Ordering number	FA11083		
Description	FA11083_Lisa2-WW-clip16-OSL		
Family	Lisa2	FWHM	degrees
Type	Assembly	Efficiency	-
LED	Oslon SSL 80	cd/lm	-
Color	Black	Gerber File	Available
Diameter	9.9 mm		
Height	7 mm		
Style	Round		
Optic Material	PMMA		
Holder Material	PC		
Fastening	Glue, tape		
Status	Ready		



Ordering number	FA11084		
Description	FA11084_Lisa2-RS-clip16-OSL		
Family	Lisa2	FWHM	16 degrees
Type	Assembly	Efficiency	89
LED	Oslon SSL 80	cd/lm	-
Color	Black	Gerber File	Available
Diameter	9.9 mm		
Height	7 mm		
Style	Round		
Optic Material	PMMA		
Holder Material	PC		
Fastening	Tape, glue		
Status	Ready		

Lisa2 Lisa2-Clip16-OSL series



Ordering number	FA11120		
Description	FA11120_Lisa2-O-clip16-OSL		
Family	Lisa2	FWHM	48+19 degrees
Type	Assembly	Efficiency	78
LED	Oslon SSL 80	cd/lm	-
Color	Black	Gerber File	Available
Diameter	9.9 mm		
Height	7 mm		
Style	Round		
Optic Material	PMMA		
Holder Material	PC		
Fastening	Tape, glue		
Status	Ready		



Ordering number	FA11857		
Description	FA11857_Lisa2-O-90-clip16-OSL		
Family	Lisa2	FWHM	48+19 degrees
Type	Assembly	Efficiency	-
LED	Oslon SSL 80	cd/lm	-
Color	Black	Gerber File	Available
Diameter	9.9 mm		
Height	7 mm		
Style	Round		
Optic Material	PMMA		
Holder Material	PC		
Fastening	Glue, tape		
Status	Ready		



Ordering number	FA11958		
Description	FA11958_Lisa2-WWW-Clip16-OSL		
Family	Lisa2	FWHM	degrees
Type	Assembly	Efficiency	-
LED	Oslon SSL 80	cd/lm	-
Color	Black	Gerber File	Available
Diameter	9.9 mm		
Height	7 mm		
Style	Round		
Optic Material	PMMA		
Holder Material	PC		
Fastening	Glue, tape		
Status	Ready		

D

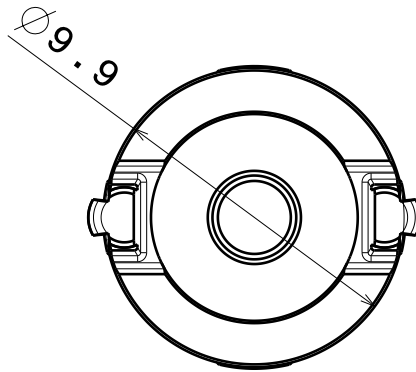
C

B

A

4

4

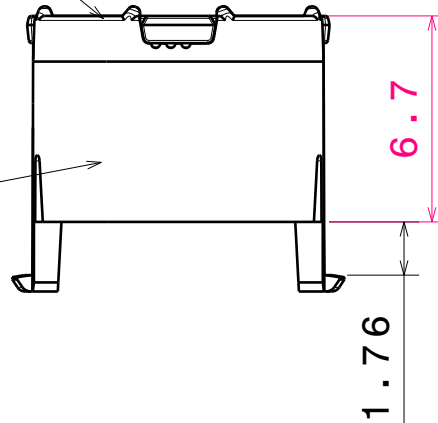


Lens

3

3

Holder



2

2

Materials:
 Lens PMMA
 Holder PC

1

1

This drawing is our property.
 It can't be reproduced
 or communicated without
 our written agreement.



L
T
F
F

e
e
i
i
N
n

d
h

DRAWING TITLE

Datasheet Lisa2-clip16-0SL series Assy

DRAWN BY

DATE

30.12.2009

CHECKED BY

DATE

23.12.2009

DESIGNED BY

DATE

19.10.2009

SIZE

A4

DRAWING NUMBER

REV

1

SCALE

4:1

WEIGHT (g)

SHEET

1/1

D

A