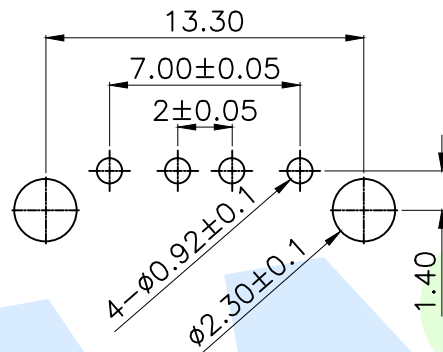
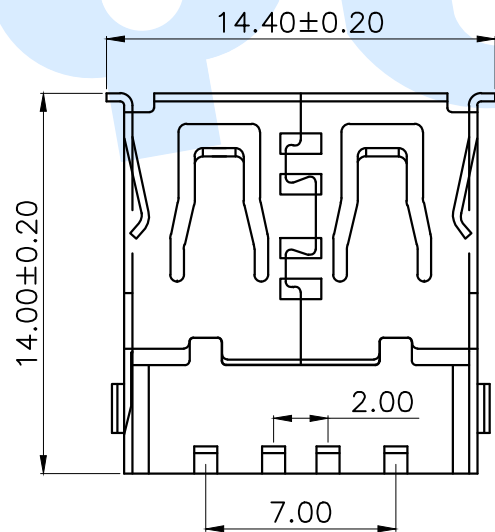
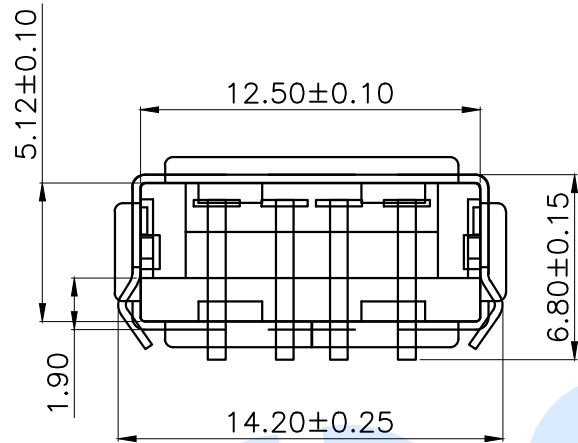
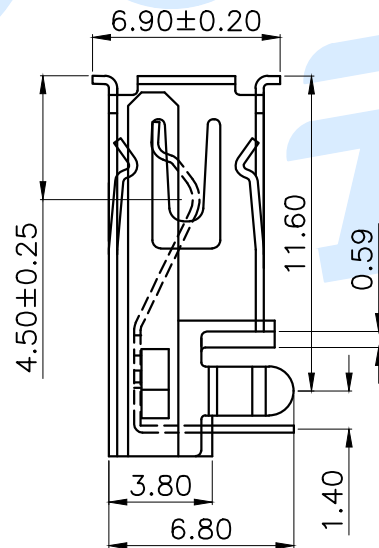


RoHS



Recommended P.C.B Layout



规格说明:Specifications
电气特性:Electrical

1. 额定电流:Current Rating
1.5A/contact terminal
2. 额定电压:Voltage Rating
30V DC
3. 接触阻抗>Contact Resistance
50 milliohms Max
4. 耐电压:Dielectric Withstanding Voltage
AC 500V/1MINUTE.
5. 绝缘阻抗:Insulation Resistance
1000MEGA Ohms Min

物理性能:Mechanical

1. 插拔力:Connector Mate and Unmate Force
Insertion force:35N(3.57kgf)MAX
Extraction force:10-35N(1.02-3.57kgf)Min
- 端子保持力:Terminal Retention
1.0kgf(MIN)
- 耐久性:Durability
3000cycles.EXTRACTLON FORCE:
10-35N(1.02-3.57kgf)

◎	Terminal		4	Brass	Silvering
ⓑ	Shell		1	SPCC	Ni Plating
Ⓐ	Base		1	PBT	White
NO.	Name	Number	Qty	Materil	Remarks

YUANDI® Yuandi Electronics Co, Ltd
元迪

design	date	name	USB CONNECTOR
Review	date	model	USB90-05-T1-W
Approved	date		

Drawing number: Proportion 1:1 unit mm gage number A4

modify Review Approved Tolerance not specified

angle	±2'
10~30	±0.30
5~10	±0.20
~ 5	±0.10