

MICRO SWITCH
a Honeywell Division

FED.MFG.CODE 91929

SWITCH - BASIC

CATALOG LISTING

BM-1R2450

REPLACES X113148-BM

CATALOG LISTING
BM-1R2450
PAGE 1 OF 1

ISSUE
M
4

RELEASE NO. 201223

03DEC07

ASD

CHECK

03DEC07

12SEP07

PSR

CHECK

5SEP00

SAV

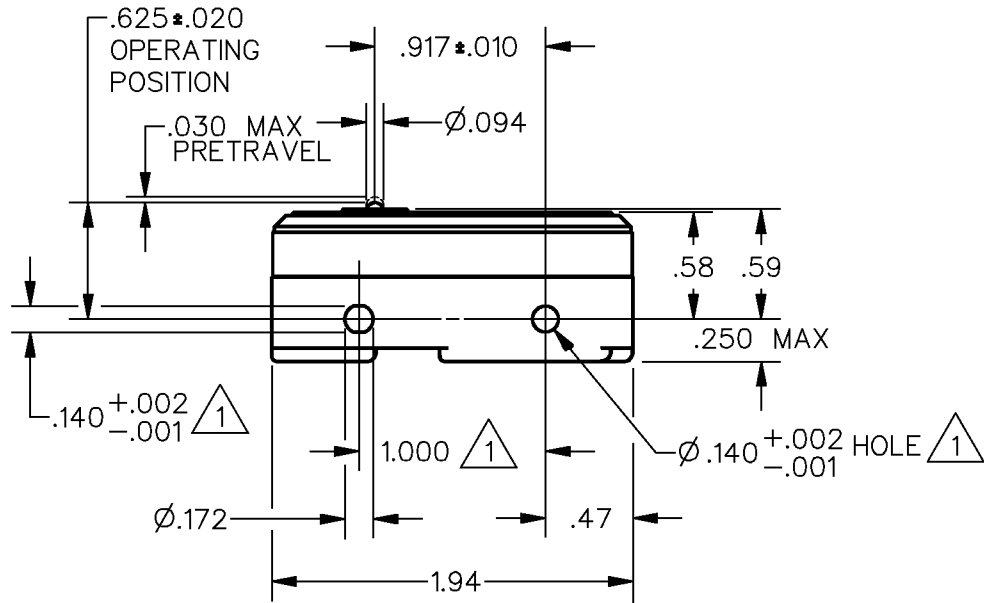
CHECK

5SEP00

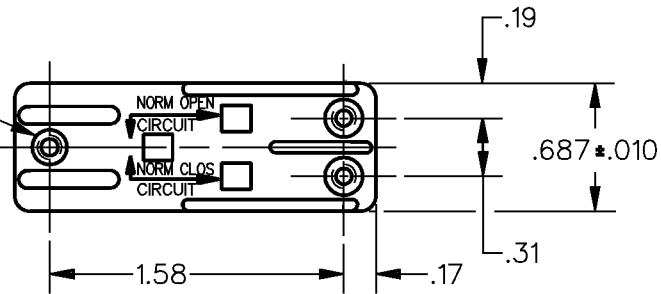
CHECK

5SEP00

C.S.L.



3X 4-40 UNS THREAD
(MOD. PITCH Ø.0930-
.0991) ∇ .157 MIN IN
INSERTS FOR TER-
MINAL CONNECTIONS

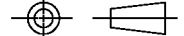


- NOTE
- 1 MOUNTING HOLES WILL ACCEPT PINS OR SCREWS OF Ø.139 MAX ON 1.000 ± .002 CENTERS
 - 2 - SWITCH WILL WITHSTAND TEMPERATURE OF 250° F

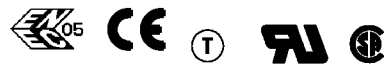
ANSI Y14.5M-1982 APPLIES

THIS DRAWING COVERS A PROPRIETARY ITEM AND IS THE PROPERTY OF MICRO SWITCH, A DIVISION OF HONEYWELL. THIS DRAWING IS NOT TO BE COPIED OR USED WITHOUT THE APPROVAL OF MICRO SWITCH.

THIRD ANGLE PROJECTION



CHARACTERISTICS	ELECTRICAL DATA	SCALE FULL	DO NOT SCALE PRINT
OPERATING FORCE — — — — 11-22 OZ	CONTACT ARRANGEMENT S P D T	UNLESS OTHERWISE SPECIFIED TOLERANCES ARE	
DIFFERENTIAL FORCE — — — .5-2.5 OZ	L316	ONE PLACE (.0)	±.030
RELEASE FORCE — — — — 9 OZ MIN	15A 480 VAC	TWO PLACE (.00)	±.015
DIFFERENTIAL TRAVEL — — — .0002-.0008	22A 125, 277 VAC	THREE PLACE (.000)	±.005
OVERTRAVEL — — — — .010 MIN	1/4HP 125 VAC, 1/2HP 250 VAC	ANGLES	±
	L288 L310 L315 L318	WEIGHT .050 LB	
	22A 250V ~ T85 5E4		



RASTER

DRAWN