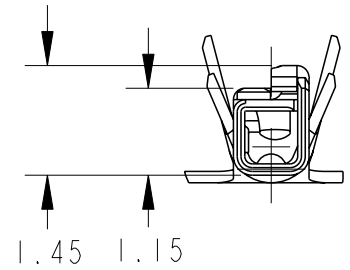
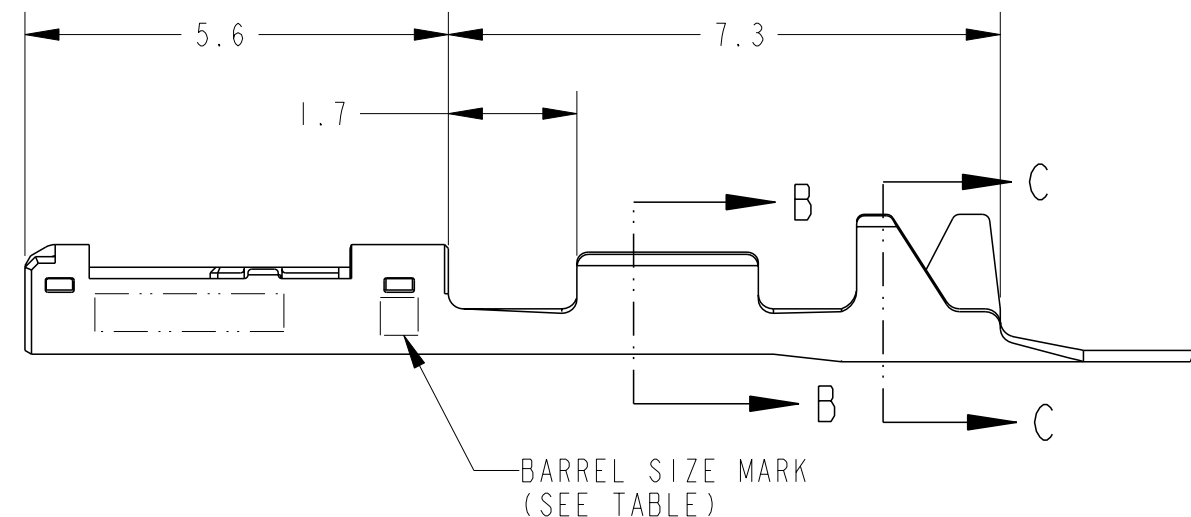
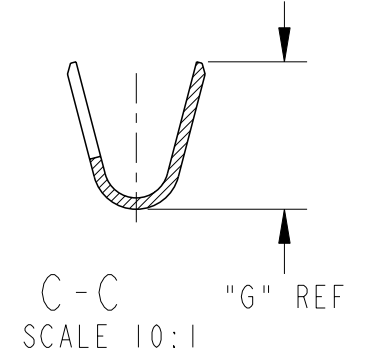
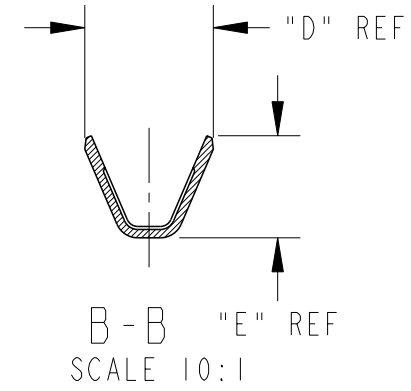
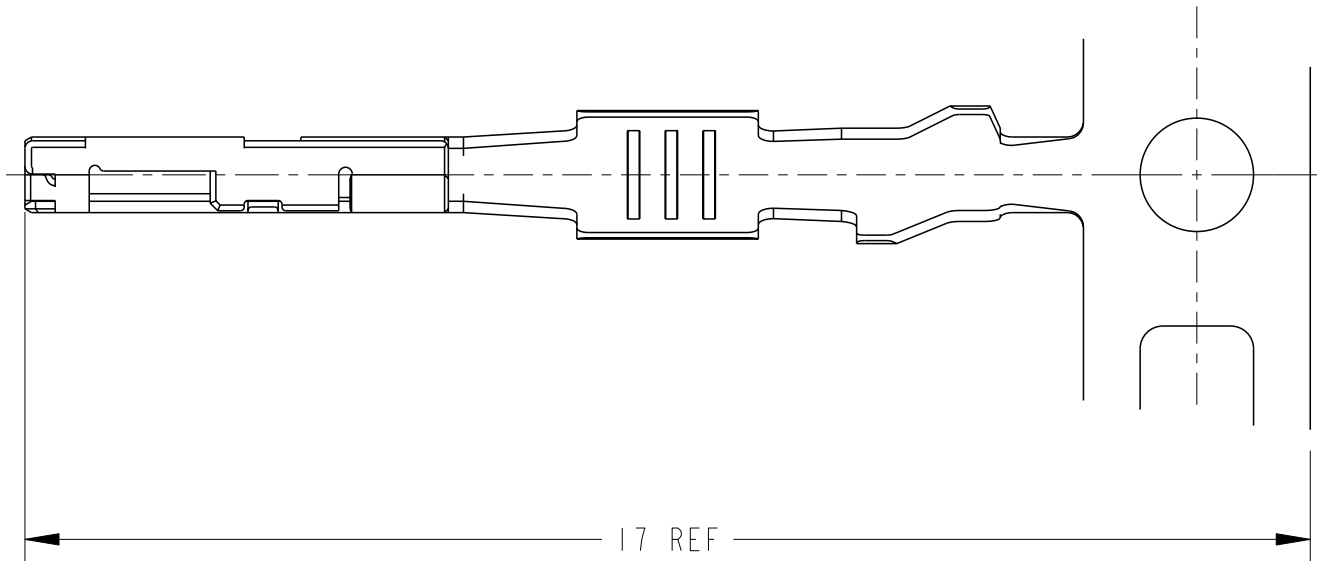


P	LTR	DESCRIPTION	DATE	DWN	APVD
	A	RELEASED	ECR-08-017654	22JUL08	YS HY
	AI	REVISED	ECR-19-005935	16OCT2019	DM HK



- 1. 適用電線; CHFUS 0.13~0.5mm²
- 2. 圧着作業については、下記の規格を参照すること
取付適用規格; 114-5379
- 3. アプリケーター送りピッチ; 7mm

- 1. APPLICABLE WIRE RANGE; CHFUS 0.13~0.5mm²
- 2. MUST BE REFERRED TO THE FOLLOWING DOCUMENTS FOR CRIMPING OPERATION
APPLICATION SPEC; 114-5379
- 3. APPLICATOR FEED; 7mm

	∅0.85~0.95	0.13mm ²	1.74	1.82	1.26	1.7	S	0.50 REC (S)	1827855-4
	∅1.3~1.5	0.22~0.35mm ²	2.45	2.1	1.35	1.7	C	0.50 REC (C)	1827855-3
	∅1.1~1.4	0.35~0.5mm ²	2.45	2.1	1.7	1.8	L	0.50 REC (L)	1827855-2
1903365-1	∅0.95~1.2	0.22~0.35mm ²	1.95	1.82	1.35	1.7	M	0.50 REC (M)	1827855-1
LOOSE PIECE	INS RANGE	WIRE RANGE	G	F	E	D	BARREL SIZE MARK	NAME	PART NO

THIS DRAWING IS A CONTROLLED DOCUMENT.

DIMENSIONS: 単位: 耗 mm	TOLERANCES UNLESS OTHERWISE SPECIFIED: 一般公差 ±0.3 0-PLC ± 1-PLC ±0.3 2-PLC ±0.10 3-PLC ±0.001 4-PLC ±0.0001 ANGLES ±3'00"
MATERIAL 材料 COPPER ALLOY	FINISH 仕上 PRE-TIN

DWN Y. SUEMITSU 25APR2005	<p>TE Connectivity</p> <p>名称 RECEPTACLE CONTACT, CRIMP TYPE, 0.50 SERIES メス端子, 圧着タイプ, 0.50シリーズ</p>
CHK K. SAKAMAKI 25APR2005	
APVD S. ISOHATA 25APR2005	
PRODUCT SPEC 製品規格 108-78208	
APPLICATION SPEC 取付適用規格 114-5379	SIZE A3
WEIGHT 0.06 g	CAGE CODE 00779
CUSTOMER DRAWING	DRAWING NO C=1827855
	RESTRICTED TO
	SCALE 尺度 10:1
	SHEET 1 OF 1
	REV AI